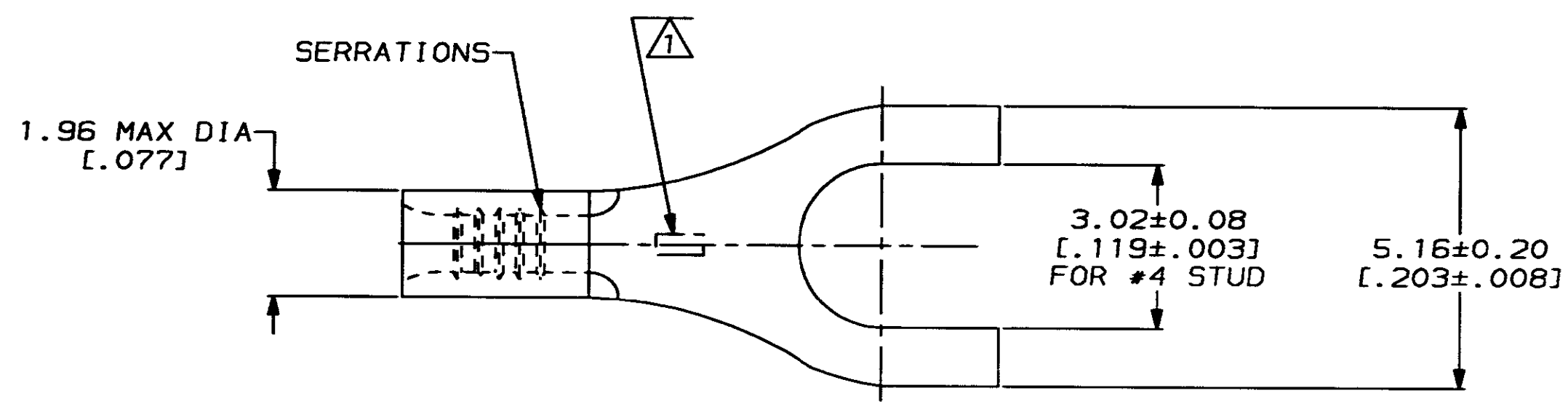


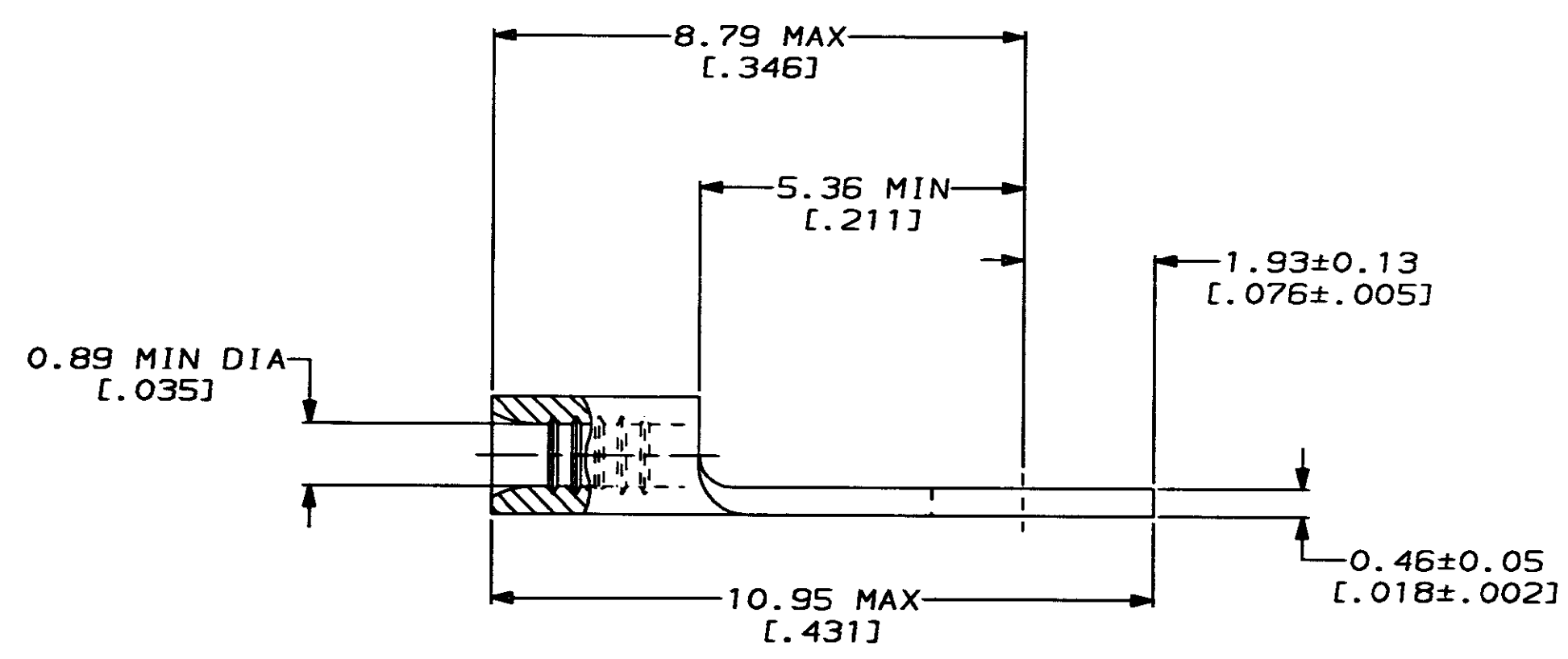
LOC	DIST	P	F	ZONE	LTR	DESCRIPTION	DATE	APPD
G	14				A	REVISED PER 0720-0170-93	11/23/93	CHK

**METRIC**  
 DIMENSIONS LISTED IN mm [ INCHES ]



<b>AMP</b> WIRE RANGE	E13288 Listed
26-22 AWG STRANDED	NOT LISTED
LR7189 Certified	MILITARY P/N AND CLASS
NOT CERTIFIED	NOT APPLICABLE

STAMP AMP APPROX AS SHOWN



<b>AMP INCORPORATED</b> <b>CUSTOMER SERVICE SYSTEMS</b>		MAX RECOMMENDED OPERATING TEMPERATURE: 170°C MAX	DO NOT SCALE PRINT. UNLESS SPECIFIED DIMENSIONS IN mm [INCHES] TOLERANCES ON: 2 PLC DEC ± - 3 PLC DEC ± - ANGLES ± -	DR 2-16-93 TA BRINKMAN CHK 2-16-93 DA PATTERSON APPD 2-16-93 DE MILLER APPD 2-16-93 JL MECKLEY PRODUCT SPEC - APPLICATION SPEC - WEIGHT -	34247 PART NO	<b>AMP</b> AMP Incorporated Harrisburg, PA 17105-3608
		VOLTAGE RATING: NOT APPLICABLE	MATERIAL COPPER PER ASTM B-152 ANNEALED	FINISH TIN PLATE 0.00254[.000100] MIN THK PER MIL-T-10727	NAME TERMINAL, SPADE TONGUE, BUDGET	SIZE C 00779 SCALE 10:1
FOR ADDITIONAL PRODUCT INFORMATION OR COPIES OF DRAWINGS AND TECHNICAL DOCUMENTS	PRODUCT INFORMATION CENTER 1-800-522-6752	WIRE CROSS SECTIONAL AREA RANGE: 0.1-0.41mm <sup>2</sup> [202-810] CIR MILS STRANDED	THIS DRAWING IS A CONTROLLED DOCUMENT FOR AMP INCORPORATED. IT IS SUBJECT TO CHANGE AND THE CONTROLLING ENGINEERING ORGANIZATION SHOULD BE CONTACTED FOR THE LATEST REVISION.	SHEET 1 OF 1	CUSTOMER DRAWING	
FOR APPLICATION TOOLING INFORMATION	TOOLING ASSISTANCE CENTER 1-800-722-1111					
FOR ORDER ENTRY	1-800-526-5142					