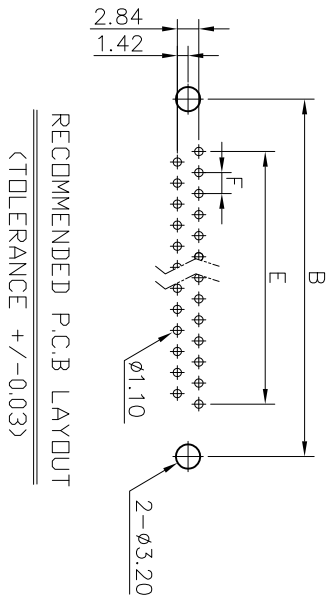
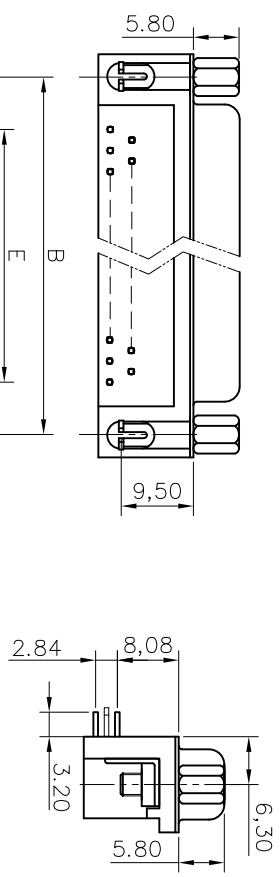
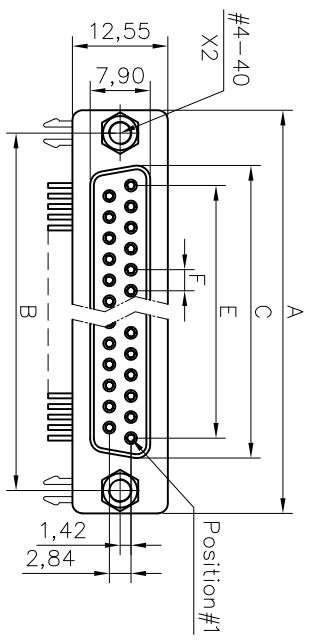


This document is the property of Amphenol Corporation and is delivered on the express condition that it is not to be duplicated, reproduced or used, in whole or in part, without the prior consent, in writing, of Amphenol Corporation. Amphenol Corporation will not be held liable for any errors or omissions in this document or to use any information in this document.



RECOMMENDED P.C.B LAYOUT  
(TOLERANCE +/-0.03)



# Customer drawing

Nb of contacts	Dimensions				
	A	B	C	E	F
9	30.81	24.99	16.24	10.96	2.77
15	39.14	33.32	24.56	19.18	2.77
25	53.04	47.04	38.38	33.24	2.77
37	69.32	63.50	54.76	49.86	2.77

REVISONS		DATE	APPROVED
S/N	EDN	DESCRIPTION	
1			01/07/08

## D-SUB TECHNICAL DATA

**SHELL :** Steel 2.5um(100u") min. tin over 1.25um(50u") min. nickel  
Glass filled thermoplastic.

**BODY :** Flame retardant to UL94 V-0 Color Green

**CONTACTS :** Copper alloy , 15u" min. gold over 1.25um(50u") min nickel in mating area, 2.54um(100u") min tin over 1.25um(50u") min nickel on termination area

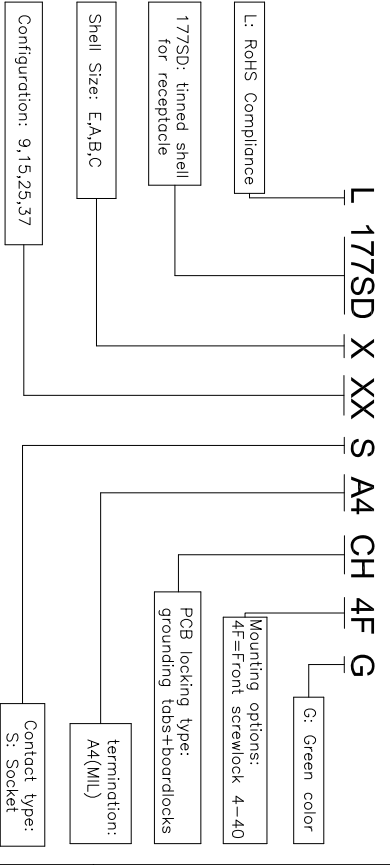
**SCREWLOCK :** Brass,50u" min. nickel

**BOARDLOCK :** Brass,100u" min. tin over 50u" min. nickel

**ELECTRICAL :** Voltage rating: 250 V RMS at 50 Hz  
Current rating: 5A  
Withstanding Voltage >1000 V RMS at 50 Hz for one minute  
Insulation resistance >5000 M Ohms  
Contact resistance 20 mOhms max.  
CLIMATIC : Temperature range -55 °C up to 155°C

**MARKING :** Amphenol-...(Series No.)  
Manufacturing date  
Commercial reference

## PRODUCT CODE



DIMENSIONS SPECIFIED		APPROVAL	DATE
TOLERANCES	U.S.	DRAWN	DATE
X	±0.50	01/07/08	01/07/08
XX	±0.30	CHECKED	01/07/08
XXX	±0.20		
ANGLES	±0.2		
FOR MATERIALS AND FINISHES			
REMOVE SHARP EDGES			
DIMENSIONS			
THICKNESS			
ANGLE OF PROJECTION			
SYMBOL			

TITLE		SIZE	DRAWING NO.	REV.
D-SUB contacts , SD series		A4	C L177SDXXXXA4CH4FG	1
SCALE	NONE	SHEET 1 OF 1		