

# PSD-S 50 CE A-NPT 1/2 - Connection element



1018850

<https://www.phoenixcontact.com/us/products/1018850>

Please be informed that the data shown in this PDF document is generated from our online catalog. Please find the complete data in the user documentation. Our general terms of use for downloads are valid.

Base for NPT 1/2 conduit assembly



## Product description

This connection element is intended to be part of a modular signal tower and is used to electrically connect the tower. According to your requirements, a signal tower may comprise any combination of up to five signal elements. You may use up to five optical signal elements or up to four optical and one audible signal element. Only use an audible signal element as the top element. A bayonet locking system establishes the mechanical and electrical connection between the elements. Please note that PSD-S 50 signal towers (50 mm diameter) are not mechanically compatible with PSD-S signal towers (70 mm diameter).

## Your advantages

- Connecting element for installing on a mounting surface (floor), junction box or bracket (see Accessories)
- Push-in connection technology
- Degree of protection: IP65, when mounted

## Commercial data

Item number	1018850
Packing unit	1 pc
Minimum order quantity	1 pc
Sales key	DR07
Product key	DRL116
GTIN	4055626504292
Weight per piece (including packing)	83 g
Weight per piece (excluding packing)	83 g
Customs tariff number	85319000
Country of origin	CZ

# PSD-S 50 CE A-NPT 1/2 - Connection element



1018850

<https://www.phoenixcontact.com/us/products/1018850>

## Technical data

### Product properties

Product type	Assembly element
Scope of delivery	End cover and seal
Number of mountable signal elements	max. 5

### Connection data

#### without ferrule

Connection method	Push-in connection
Conductor cross section, flexible	0.5 mm <sup>2</sup> ... 1.5 mm <sup>2</sup>
Conductor cross section, flexible [AWG]	... 15
Stripping length	7 mm

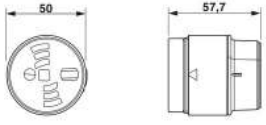
#### With ferrule

Connection method	Push-in connection
Conductor cross section, flexible	0.25 mm <sup>2</sup> ... 1.5 mm <sup>2</sup>
Conductor cross section, flexible [AWG]	... 15
Stripping length	7 mm

#### solid

Connection method	Push-in connection
Conductor cross section, rigid	0.5 mm <sup>2</sup> ... 1.5 mm <sup>2</sup>
Stripping length	7 mm

### Dimensions

Dimensional drawing	
Height	57.7 mm
Diameter	50 mm

### Material specifications

Color	black
Material	PA-GF

### Environmental and real-life conditions

#### Ambient conditions

Degree of protection	IP65, when installed
Ambient temperature (operation)	-30 °C ... 60 °C

### EMC data

# PSD-S 50 CE A-NPT 1/2 - Connection element



1018850

<https://www.phoenixcontact.com/us/products/1018850>

Electromagnetic compatibility	Conformance with EMC directive 2004/108/EC and for low-voltage directive 2006/95/EC
-------------------------------	---

## Mounting

Mounting type	Base mounting
Assembly instructions	Seal included
Mounting position	any

# PSD-S 50 CE A-NPT 1/2 - Connection element

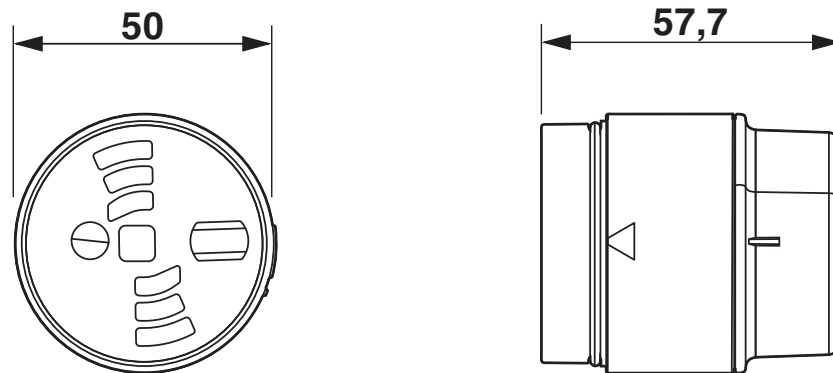


1018850

<https://www.phoenixcontact.com/us/products/1018850>

## Drawings

Dimensional drawing



# PSD-S 50 CE A-NPT 1/2 - Connection element



1018850

<https://www.phoenixcontact.com/us/products/1018850>

## Approvals

🔗 To download certificates, visit the product detail page: <https://www.phoenixcontact.com/us/products/1018850>



**UL Listed**

Approval ID: FILE E 140324



**cUL Listed**

Approval ID: FILE E 140324

**cULus Listed**

# PSD-S 50 CE A-NPT 1/2 - Connection element



1018850

<https://www.phoenixcontact.com/us/products/1018850>

## Classifications

### ECLASS

ECLASS-11.0	27371232
ECLASS-12.0	27371232
ECLASS-13.0	27371232

### ETIM

ETIM 8.0	EC001152
----------	----------

### UNSPSC

UNSPSC 21.0	46171600
-------------	----------

# PSD-S 50 CE A-NPT 1/2 - Connection element



1018850

<https://www.phoenixcontact.com/us/products/1018850>

## Environmental product compliance

China RoHS	Environmentally friendly use period: unlimited = EFUP-e
	No hazardous substances above threshold values

# PSD-S 50 CE A-NPT 1/2 - Connection element

1018850

<https://www.phoenixcontact.com/us/products/1018850>

## Accessories

### PSD-S 50 AS SCREW TM - Screw insert

1094201

<https://www.phoenixcontact.com/us/products/1094201>

Screw set for third-party tube assembly



---

### PSD-S 50 ME BR-SM-M - Mounting bracket

1018868

<https://www.phoenixcontact.com/us/products/1018868>

Metal bracket for exterior cable entry





# PSD-S 50 CE A-NPT 1/2 - Connection element

1018850

<https://www.phoenixcontact.com/us/products/1018850>



## PSD-S 50 ME BR-M12 M - Mounting bracket

1094143

<https://www.phoenixcontact.com/us/products/1094143>



Metal bracket for products with M12 assembly thread

---

## PSD-S 50 ME BR-BM/HCR - Mounting bracket

1018870

<https://www.phoenixcontact.com/us/products/1018870>



Plastic bracket for vertical assembly of tubes with plastic foot

# PSD-S 50 CE A-NPT 1/2 - Connection element

1018850

<https://www.phoenixcontact.com/us/products/1018850>



## PSD-S 50 ME OB-BM - Mounting material

1018871

<https://www.phoenixcontact.com/us/products/1018871>

Junction box for horizontal assembly, M20, incl. assembly screws



---

## PSD-S 50 ME OB/BR-BM - Mounting material

1018872

<https://www.phoenixcontact.com/us/products/1018872>

Junction box for vertical assembly, M20



## PSD-S 50 CE A-NPT 1/2 - Connection element

1018850

<https://www.phoenixcontact.com/us/products/1018850>



## PSD-S 50 ME OB/MB-BM - Mounting material

1018873

<https://www.phoenixcontact.com/us/products/1018873>

Junction box for magnetic assembly, M20



---

## PSD-S 50 AS SCREW ME - Screw insert

1094189

<https://www.phoenixcontact.com/us/products/1094189>

Screw set for junction boxes



---

Phoenix Contact 2023 © - all rights reserved  
<https://www.phoenixcontact.com>

Phoenix Contact USA  
586 Fulling Mill Road  
Middletown, PA 17057, United States  
(+717) 944-1300  
[info@phoenixcon.com](mailto:info@phoenixcon.com)