

Complete System-on-Chip

- 32-bit ARM® Cortex -M3 processor
- 2.4 GHz IEEE 802.15.4-2003 transceiver & lower MAC
- 256 or 512 kB flash, with optional read protection
- 32 or 64 kB RAM memory
- AES128 encryption accelerator
- Flexible ADC, UART/SPI/TWI serial communications, and general purpose timers
- Optional USB serial communications
- 24 highly configurable GPIOs with Schmitt trigger inputs

Industry-leading ARM® Cortex -M3 processor

- Leading 32-bit processing performance
- Highly efficient Thumb-2 instruction set
- Operation at 6, 12, or 24 MHz
- Flexible Nested Vectored Interrupt Controller

Low power consumption, advanced management

- RX Current (w/ CPU): 27 mA
- TX Current (w/ CPU, +3 dBm TX): 31 mA
- Low deep sleep current, with retained RAM and GPIO: 1.0 μ A without/1.25 μ A with sleep timer
- Low-frequency internal RC oscillator for low-power sleep timing
- High-frequency internal RC oscillator for fast (110 μ s) processor start-up from sleep

Exceptional RF Performance

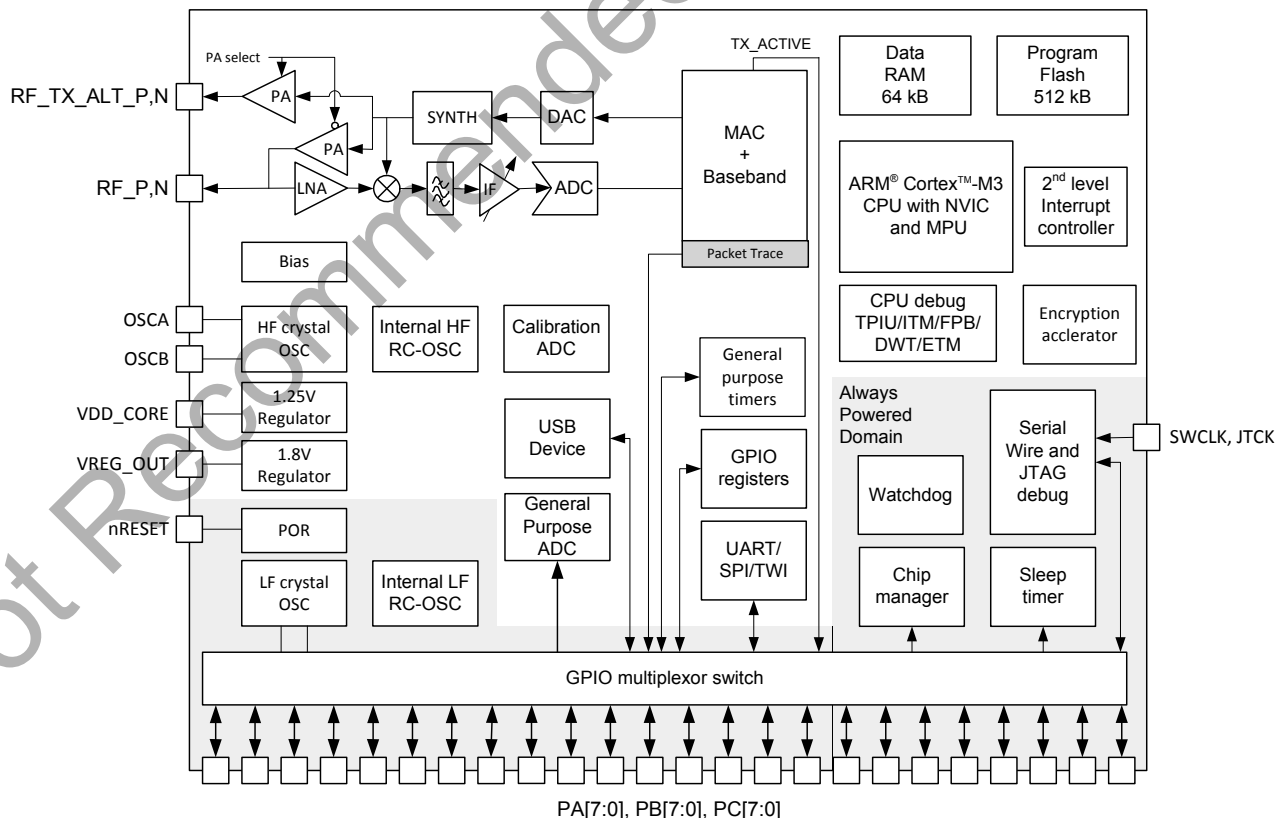
- Normal mode link budget up to 103 dB; configurable up to 110 dB
- -100 dBm normal RX sensitivity; configurable to -102 dBm (1% PER, 20 byte packet)
- +3 dB normal mode output power; configurable up to +8 dBm
- Robust Wi-Fi and Bluetooth coexistence

Innovative network and processor debug

- Packet Trace Port for non-intrusive packet trace with Ember development tools
- Serial Wire/JTAG interface
- Standard ARM debug capabilities: Flash Patch & Breakpoint; Data Watchpoint & Trace; Instrumentation Trace Macrocell

Application Flexibility

- Single voltage operation: 2.1–3.6 V with internal 1.8 and 1.25 V regulators
- Optional 32.768 kHz crystal for higher timer accuracy
- Low external component count with single 24 MHz crystal
- Support for external power amplifier
- Small 7x7 mm 48-pin QFN package



EM358x

General Description

The Ember EM358x is a fully integrated System-on-Chip that integrates a 2.4 GHz, IEEE 802.15.4-2003-compliant transceiver, 32-bit ARM® Cortex™-M3 microprocessor, flash and RAM memory, and peripherals of use to designers of ZigBee-based systems.

The transceiver uses an efficient architecture that exceeds the dynamic range requirements imposed by the IEEE 802.15.4-2003 standard by over 15 dB. The integrated receive channel filtering allows for robust co-existence with other communication standards in the 2.4 GHz spectrum, such as IEEE 802.11-2007 and Bluetooth. The integrated regulator, VCO, loop filter, and power amplifier keep the external component count low. An optional high performance radio mode (boost mode) is software-selectable to boost dynamic range.

The integrated 32-bit ARM® Cortex™-M3 microprocessor is highly optimized for high performance, low power consumption, and efficient memory utilization. Including an integrated MPU, it supports two different modes of operation—privileged mode and user mode. This architecture could allow for separation of the networking stack from the application code, and prevents unwanted modification of restricted areas of memory and registers resulting in increased stability and reliability of deployed solutions.

The EM358x has either 256 or 512 kB of embedded flash memory and either 32 or 64 kB of integrated RAM for data and program storage. The Ember software for the EM358x employs an effective wear-leveling algorithm that optimizes the lifetime of the embedded flash.

To maintain the strict timing requirements imposed by the ZigBee and IEEE 802.15.4-2003 standards, the EM358x integrates a number of MAC functions, AES128 encryption accelerator, and automatic CRC handling into the hardware. The MAC hardware handles automatic ACK transmission and reception, automatic backoff delay, and clear channel assessment for transmission, as well as automatic filtering of received packets. The Ember Packet Trace Interface is also integrated with the MAC, allowing complete, non-intrusive capture of all packets to and from the EM358x with Ember development tools.

The EM358x offers a number of advanced power management features that enable long battery life. A high-frequency internal RC oscillator allows the processor core to begin code execution quickly upon waking. Various deep sleep modes are available with less than 2 μ A power consumption while retaining RAM contents. To support user-defined applications, on-chip peripherals include optional USB, UART, SPI, TWI, ADC, and general-purpose timers, as well as up to 24 GPIOs. Additionally, an integrated voltage regulator, power-on-reset circuit, and sleep timer are available.

Finally, the EM358x utilizes standard Serial Wire and JTAG interfaces for powerful software debugging and programming of the ARM Cortex™-M3 core. The EM358x integrates the standard ARM® system debug components: Flash Patch and Breakpoint (FPB), Data Watchpoint and Trace (DWT), and Instrumentation Trace Macrocell (ITM) as well as the advanced Embedded Trace Macrocell (ETM).

Target applications for the EM358x include:

- Smart Energy
- Building automation and control
- Home automation and control
- Security and monitoring
- General ZigBee wireless sensor networking

This technical data sheet details the EM358x features available to customers using it with Ember software.

Table of Contents

| | |
|--|-----------|
| 1. Related Documents and Conventions | 5 |
| 1.1. Related Documents | 5 |
| 1.1.1. Ember EM358x Reference Manual | 5 |
| 1.1.2. ZigBee Specification | 5 |
| 1.1.3. ZigBee PRO Stack Profile | 5 |
| 1.1.4. ZigBee Stack Profile | 5 |
| 1.1.5. Bluetooth Core Specification | 5 |
| 1.1.6. EEE 802.15.4-2003 | 5 |
| 1.1.7. EEE 802.11g | 5 |
| 1.1.8. USB 2.0 Specification | 5 |
| 1.1.9. ARM® Cortex™-M3 Reference Manual | 5 |
| 1.2. Conventions | 6 |
| 2. Typical Connection Diagrams | 9 |
| 3. Electrical Specifications | 13 |
| 3.1. Absolute Maximum Ratings | 13 |
| 3.2. Recommended Operating Conditions | 13 |
| 3.3. Environmental Characteristics | 14 |
| 3.4. DC Electrical Characteristics | 14 |
| 3.5. Digital I/O Specifications | 19 |
| 3.6. Non-RF System Electrical Characteristics | 20 |
| 3.7. RF Electrical Characteristics | 21 |
| 3.7.1. Receive | 21 |
| 3.7.2. Transmit | 24 |
| 3.7.3. Synthesizer | 26 |
| 4. EM358x System Overview | 27 |
| 4.1. Microprocessor and Memory | 28 |
| 4.1.1. ARM® Cortex™-M3 Microprocessor | 28 |
| 4.1.2. Embedded Memory | 29 |
| 4.2. Interrupt System | 29 |
| 4.2.1. Nested Vectored Interrupt Controller (NVIC) | 29 |
| 4.2.2. Event Manager | 29 |
| 4.2.3. Memory Protection Unit | 29 |
| 4.3. Radio Module | 29 |
| 4.3.1. Receive (Rx) Path | 29 |
| 4.3.2. Transmit (Tx) Path | 30 |
| 4.3.3. Integrated MAC Module | 30 |
| 4.3.4. Packet Trace Interface (PTI) | 30 |
| 4.3.5. Random Number Generator | 30 |
| 4.4. System Modules | 30 |
| 4.4.1. Power domains | 30 |
| 4.4.2. Resets | 31 |
| 4.4.3. Clocks | 31 |
| 4.4.4. System Timers | 31 |
| 4.4.5. Power Management | 31 |

EM358x

| | |
|---|-----------|
| 4.5. Integrated Voltage Regulator | 32 |
| 4.6. Peripherals | 32 |
| 4.6.1. GPIO | 32 |
| 4.6.2. Serial Controllers | 32 |
| 4.6.3. USB | 33 |
| 4.6.4. General Purpose Timers..... | 33 |
| 4.6.5. Analog-to-Digital Converter (ADC) | 34 |
| 4.7. Debugging | 34 |
| 4.7.1. Trace Port Interface Unit (TPIU)..... | 34 |
| 4.7.2. Instrumentation Trace Macrocell (ITM)..... | 34 |
| 4.7.3. Embedded Trace Macrocell (ETM)..... | 34 |
| 4.7.4. Data Watchpoint and Trace (DWT)..... | 34 |
| 4.7.5. Flash Patch and Breakpoint (FPB) | 35 |
| 4.7.6. Serial Wire and JTAG (SWJ) Interface | 35 |
| 5. Ordering Information | 36 |
| 6. Pin Assignments | 37 |
| 6.1. Mechanical Details | 50 |
| 6.1.1. QFN48 Footprint Recommendations | 52 |
| 6.1.2. Solder Temperature Profile..... | 54 |
| 6.2. Part Marking | 56 |
| Document Change List | 58 |
| Contact Information | 59 |

1. Related Documents and Conventions

1.1. Related Documents

This data sheet accompanies several documents to provide the complete description of the Ember EM358x devices.

1.1.1. Ember EM358x Reference Manual

The Silicon Laboratories Ember EM358x Reference Manual provides the detailed description for each peripheral on the EM358x devices.

1.1.2. ZigBee Specification

The core ZigBee specification (Document 053474) defines ZigBee's smart, cost-effective and energy-efficient mesh network. It can be downloaded from the ZigBee website (www.zigbee.org). ZigBee Alliance membership is required.

1.1.3. ZigBee PRO Stack Profile

The ZigBee PRO Stack Profile specification (Document 074855) is optimized for low power consumption and to support large networks with thousands of devices. It can be downloaded from the ZigBee website (111.zigbee.org). ZigBee Alliance membership is required.

1.1.4. ZigBee Stack Profile

The ZigBee Stack Profile specification (Document 064321) is designed to support smaller networks with hundreds of devices in a single network. It can be downloaded from the ZigBee website (111.zigbee.org). ZigBee Alliance membership is required.

1.1.5. Bluetooth Core Specification

The Bluetooth specification is the global short-range wireless standard enabling connectivity for a broad range of electronic devices. Version 2.1 + EDR (Enhanced Data Rate) can be found here:

http://www.bluetooth.org/docman/handlers/downloaddoc.ashx?doc_id=241363

1.1.6. IEEE 802.15.4-2003

This standard defines the protocol and compatible interconnection for data communication devices using low data rate, low power and low complexity, short-range radio frequency (RF) transmissions in a wireless personal area network (WPAN). It can be found here:

IEEE 802.15.4-2003 (<http://standards.ieee.org/getieee802/download/802.15.4-2003.pdf>)

1.1.7. IEEE 802.11g

This version provides changes and additions to support the further higher data rate extension for operation in the 2.4 GHz band. It can be found here:

<http://standards.ieee.org/getieee802/download/802.11g-2003.pdf>

1.1.8. USB 2.0 Specification

The Universal Serial Bus Revision 2.0 specification provides the technical details to understand USB requirements and design USB compatible products. The main specification ([usb_20.pdf](#)) is part of the zipfile found here:

http://www.usb.org/developers/docs/usb_20_101111.zip

1.1.9. ARM[®] Cortex[™]-M3 Reference Manual

ARM-specific features like the Nested Vector Interrupt Controller are described in the ARM[®] Cortex[™]-M3 reference documentation. The online reference manual can be found here:

<http://infocenter.arm.com/help/topic/com.arm.doc.subset.cortexm.m3/index.html#cortexm3>

EM358x

1.2. Conventions

Abbreviations and acronyms used in this data sheet are explained in

Table 1.1. Acronyms and Abbreviations

| Acronym/Abbreviation | Meaning |
|----------------------|---|
| ACK | Acknowledgement |
| ADC | Analog to Digital Converter |
| AES | Advanced Encryption Standard |
| AGC | Automatic Gain Control |
| AHB | Advanced High Speed Bus |
| APB | Advanced Peripheral Bus |
| CBC-MAC | Cipher Block Chaining—Message Authentication Code |
| CCA | Clear Channel Assessment |
| CCM | Counter with CBC-MAC Mode for AES encryption |
| CCM* | Improved Counter with CBC-MAC Mode for AES encryption |
| CIB | Customer Information Block |
| CLK1K | 1 kHz Clock |
| CLK32K | 32.768 kHz Crystal Clock |
| CPU | Central Processing Unit |
| CRC | Cyclic Redundancy Check |
| CSMA-CA | Carrier Sense Multiple Access-Collision Avoidance |
| CTR | Counter Mode |
| CTS | Clear to Send |
| DNL | Differential Non-Linearity |
| DMA | Direct Memory Access |
| DWT | Data Watchpoint and Trace |
| EEPROM | Electrically Erasable Programmable Read Only Memory |
| EM | Event Manager |
| ENOB | effective number of bits |
| ESD | Electro Static Discharge |
| ESR | Equivalent Series Resistance |
| ETR | External Trigger Input |
| FCLK | ARM® Cortex™-M3 CPU Clock |
| FIB | Fixed Information Block |
| FIFO | First-in, First-out |

Table 1.1. Acronyms and Abbreviations

| | |
|------------------|--|
| FPB | Flash Patch and Breakpoint |
| GPIO | General Purpose I/O (pins) |
| HF | High Frequency |
| I ² C | Inter-Integrated Circuit |
| IDE | Integrated Development Environment |
| IF | Intermediate Frequency |
| IEEE | Institute of Electrical and Electronics Engineers |
| INL | Integral Non-linearity |
| ITM | Instrumentation Trace Macrocell |
| JTAG | Joint Test Action Group |
| LF | Low Frequency |
| LNA | Low Noise Amplifier |
| LQI | Link Quality Indicator |
| LSB | Least significant bit |
| MAC | Medium Access Control |
| MFB | Main Flash Block |
| MISO | Master in, slave out |
| MOS | Metal Oxide Semiconductor (P-channel or N-channel) |
| MOSI | Master out, slave in |
| MPU | Memory Protection Unit |
| MSB | Most significant bit |
| MSL | Moisture Sensitivity Level |
| NACK | Negative Acknowledge |
| NIST | National Institute of Standards and Technology |
| NMI | Non-Maskable Interrupt |
| NVIC | Nested Vectored Interrupt Controller |
| OPM | One-Pulse Mode |
| O-QPSK | Offset-Quadrature Phase Shift Keying |
| OSC24M | High Frequency Crystal Oscillator |
| OSC32K | Low-Frequency 32.768 kHz Oscillator |
| OSCHF | High-Frequency Internal RC Oscillator |
| OSCRC | Low-Frequency RC Oscillator |
| PA | Power Amplifier |

Table 1.1. Acronyms and Abbreviations

| | |
|--------|---|
| PCLK | Peripheral clock |
| PER | Packet Error Rate |
| PHY | Physical Layer |
| PLL | Phase-Locked Loop |
| POR | Power-On-Reset |
| PRNG | Pseudo Random Number Generator |
| PSD | Power Spectral Density |
| PTI | Packet Trace Interface |
| PWM | Pulse Width Modulation |
| QFN | Quad Flat Pack |
| RAM | Random Access Memory |
| RC | Resistive/Capacitive |
| RF | Radio Frequency |
| RMS | Root Mean Square |
| RoHS | Restriction of Hazardous Substances |
| RSSI | Receive Signal Strength Indicator |
| RTS | Request to Send |
| Rx | Receive |
| SYSCLK | System clock |
| SDFR | Spurious Free Dynamic Range |
| SFD | Start Frame Delimiter |
| SINAD | Signal-to-noise and distortion ratio |
| SPI | Serial Peripheral Interface |
| SWJ | Serial Wire and JTAG Interface |
| THD | Total Harmonic Distortion |
| TRNG | True random number generator |
| TWI | Two Wire serial interface |
| Tx | Transmit |
| UART | Universal Asynchronous Receiver/Transmitter |
| UEV | Update event |
| USB | Universal Serial Bus |
| VCO | Voltage Controlled Oscillator |

2. Typical Connection Diagrams

Figure 2.1 illustrates the typical application circuit.

Note: The circuit shown in Figure 2.1 is for example purposes only. For a complete reference design, please download one of the latest Ember Hardware Reference Designs from the Silicon Labs website (www.silabs.com/zigbee-support).

The Balun provides an impedance transformation from the antenna to the EM358x for both TX and RX modes.

L4, along with the PCB trace parasitics and the ceramic balun impedance, provide the optimal RF path for maximum transmit power and receive sensitivity for the EM358x system.

The harmonic filter (L5, L6, C7, C8 and C9) provides additional suppression of the second harmonic, which increases the margin over the FCC limit.

The 24 MHz crystal, Y2, with loading capacitors is required and provides the high-frequency crystal oscillator source for the EM358x's main system clock. The optional 32.768 kHz crystal, Y1, with loading capacitors generates a highly accurate low-frequency crystal oscillator for use with peripherals, but it is not mandatory as the low-frequency internal RC oscillator can be used.

Loading capacitance and ESR (C3 and R3) provides proper loading for the internal 1.8 V regulator.

Loading capacitance C4 provides proper loading for the internal 1.25 V regulator, no ESR is required because it is contained within the chip.

Resistor R7 reduces the operating voltage of the flash memory. This reduces current consumption and improves sensitivity by 1 dB when compared to not using it.

Various decoupling capacitors, C12 – C21, are required, these should be placed as close to their corresponding pins as possible. For values and locations see one of the Silicon Labs reference designs.

An antenna impedance matched to 50 Ω is required.

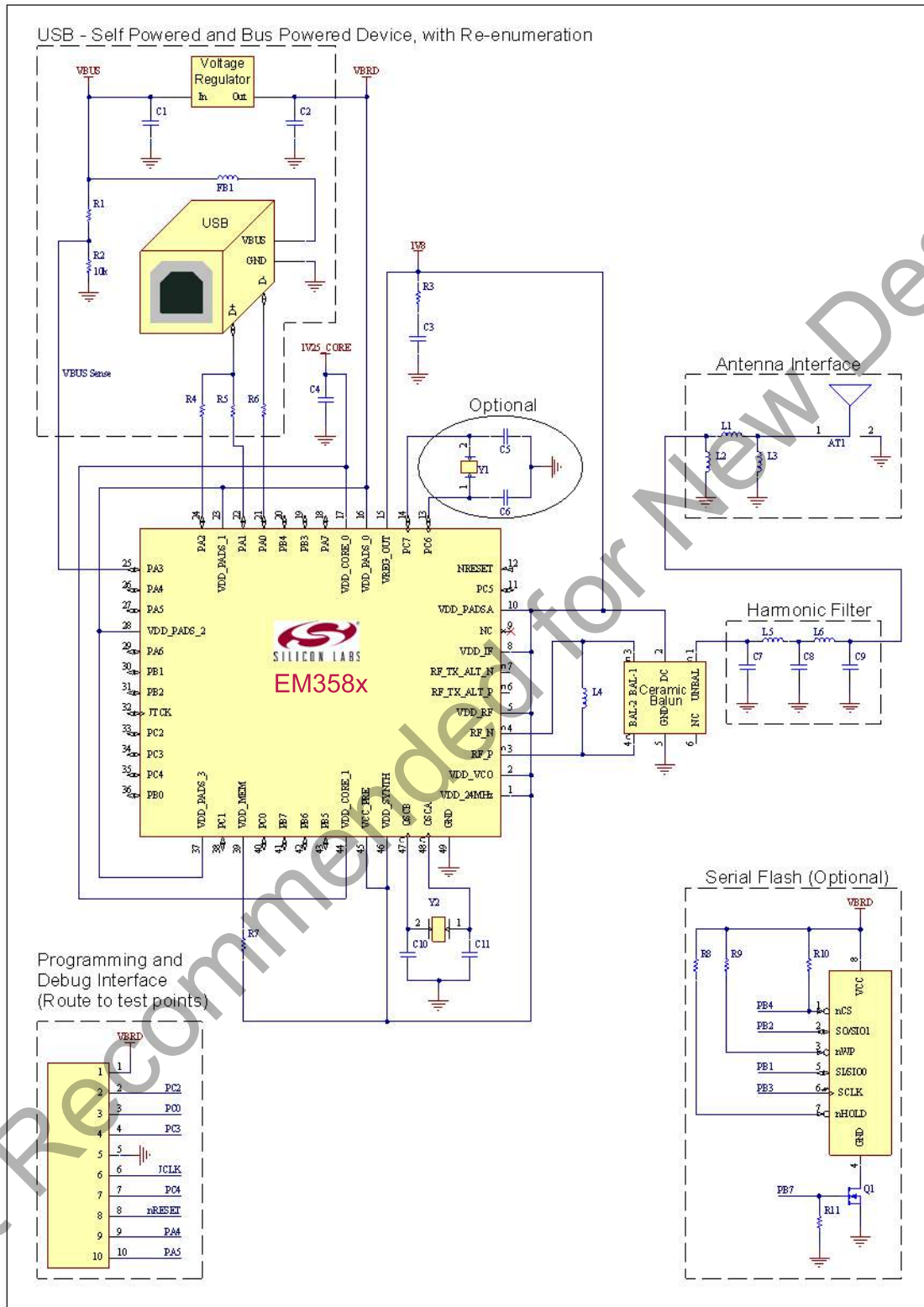


Figure 2.1. Typical Application Circuit

Table 2.1. Bill of Materials for Figure 2.1

| Item | Qty | Reference | Description | Manufacturer |
|------|-----|------------------|---|---|
| 1 | 1 | ANT1 | ANTENNA, <not specified> | <not specified> |
| 2 | 1 | BLN1 | BALUN, CHIP MULTILAYER CERAMIC, 2.4 GHZ. 50/100 OHM, -40C TO 85C, 0805 | Würth 748421245 Johanson 2450BL15B100E Murata LDB212G4010C-001 TDK HHM1520 |
| 3 | 1 | C1 | CAPACITOR, <not specified> | <not specified> |
| 4 | 1 | C2 | CAPACITOR, <not specified> | <not specified> |
| 5 | 1 | C3 | CAPACITOR, 2.2 μ F, 10 V, X5R, 10%, 0603 | <not specified> |
| 6 | 1 | C4 | CAPACITOR, 1 μ F, 6.3 V, X5R, 10%, 0402 | <not specified> |
| 7 | 1 | C5 | CAPACITOR, 33 pF, \pm 5%, 50 V, NPO, 0402 | <not specified> |
| 8 | 3 | C6, C10, C11 | CAPACITOR, 22 pF, \pm 5%, 50 V, NPO, 0402 | <not specified> |
| 9 | 2 | C7, C9 | CAPACITOR, 1 pF, \pm 0.25 pF, 50 V, 0402, NPO | <not specified> |
| 10 | 1 | C8 | CAPACITOR, 1.8pF, \pm 0.25 pF, 50 V, 0402, NPO | <not specified> |
| 11 | 1 | FB1 | FERRITE BEAD, 60 OHM, 500MA, 0603 | Murata BLM18PG600SN1 |
| 12 | 1 | J1 | CONNECTOR, USB, END LAUNCH, THROUGH HOLE | Molex 67068-8110 |
| 13 | 1 | J2 | CONNECTOR, HEADER, SHROUDED, 10 POSITION, DUAL ROW, VERTICAL, 0.050" | Samtec FTSH-105-01-L-DV-K |
| 14 | 4 | L1, L2, L3, L4 | INDUCTOR, <not specified> | <not specified> |
| 15 | 2 | L5, L6 | INDUCTOR, 2.7 nH, \pm 0.3 nH, 0402, MULTI-LAYER | Murata LQG15HS2N7 |
| 16 | 1 | R1 | RESISTOR, 15K OHM, 5%, 1/10W, 0402 | <not specified> |
| 17 | 1 | R2 | RESISTOR, 10K OHM, 5%, 1/16W, 0402 | <not specified> |
| 18 | 1 | R3 | RESISTOR, 1 OHM, 5%, 1/16W, 0402 | <not specified> |
| 19 | 1 | R4 | RESISTOR, 1.5K OHM, 1%, 1/16W, 0402 | <not specified> |
| 20 | 2 | R5, R6 | RESISTOR, 26.1 OHM, 1%, 1/10W, 0402 | <not specified> |
| 21 | 1 | R7 | RESISTOR, 10 OHM, 5%, 1/16W, 0402 | <not specified> |
| 22 | 4 | R8, R9, R10, R11 | RESISTOR, 100K OHM, 5%, 1/16W, 0402 | <not specified> |
| 23 | 1 | Q1 | MOSFET, 2N7002, 300MA, 830MW, 60V, TO-236-3, SC-59, SOT-23-3 | NXP Semiconductor 2N7002 |
| 24 | 1 | U1 | IC, VOLTAGE REGULATOR, <not specified> | <not specified> |
| 25 | 1 | U2 | EM358x, ZIGBEE/802.15.4 RF TRANSCEIVER, ARM CORTEX-M3, 32 or 64 kB RAM, 256 or 512 kB FLASH, 48-QFN | EM3581-RTR/EM3582-RTR/ EM3585-RTR/ EM3586-RTR/EM3587-RTR/ EM3588-RTR |

EM358x

Table 2.1. Bill of Materials for Figure 2.1

| | | | | |
|----|---|----|--|--|
| 26 | 1 | U3 | IC - PROGRAMMABLE MEMORY - BLANK, SERIAL FLASH, 8M (256K X 32), 2.7 V - 3.6 V, -40 to 85 °C, 8-SOIC (0.154", 3.90MM WIDTH) | WinBond W25Q80BVSNI |
| 27 | 1 | Y1 | CRYSTAL, 32.768 kHz, ±20 ppm INITIAL TOLERANCE AT +25°C, 12.5 pF | Abracon ABS07-32.768KHZ-T |
| 28 | 1 | Y2 | OSCILLATOR, CRYSTAL, 24.000 MHz, 18 pF LOAD, ±10 PPM TOLERANCE, ±25 PPM STABILITY, -40 TO 85 °C, AT49 | Abracon ABLS-24.000MHZ-D1X-T ILSI HC49USM-24.000000M-2435 AEL X24M000000S067 |

Not Recommended for New Designs

3. Electrical Specifications

3.1. Absolute Maximum Ratings

Table 3.1 lists the absolute maximum ratings for the EM358x.

Table 3.1. Absolute Maximum Ratings

| Parameter | Test Condition | Min | Max | Unit |
|--|----------------------------------|------|----------------|------|
| Regulator input voltage (VDD_PADS) | | -0.3 | +3.6 | V |
| Analog, Memory and Core voltage (VDD_24MHZ, VDD_VCO, VDD_RF, VDD_IF, VDD_PADSA, VDD_MEM, VDD_PRE, VDD_SYNTN, VDD_CORE) | | -0.3 | +2.0 | V |
| Voltage on RF_P,N; RF_TX_ALT_P,N | | -0.3 | +3.6 | V |
| RF Input Power (for max level for correct packet reception see Table 3.7) | RX signal into a loss-less balun | — | +15 | dBm |
| Voltage on any GPIO (PA[7:0], PB[7:0], PC[7:0]), SWCLK, nRESET, VREG_OUT | | -0.3 | VDD_PADS +0.3 | V |
| Voltage on any GPIO pin (PA4, PA5, PB5, PB6, PB7, PC1), when used as an input to the general purpose ADC | | -0.3 | 2.0 | V |
| Voltage on OSCA, OSCB, NC | | -0.3 | VDD_PADSA +0.3 | V |
| Storage temperature | | -40 | +140 | °C |

3.2. Recommended Operating Conditions

Table 3.2 lists the rated operating conditions of the EM358x.

Table 3.2. Operating Conditions

| Parameter | Test Condition | Min | Typ | Max | Unit |
|--|----------------|------|------|------|------|
| Regulator input voltage (VDD_PADS) | | 2.1 | — | 3.6 | V |
| Analog and memory input voltage (VDD_24MHZ, VDD_VCO, VDD_RF, VDD_IF, VDD_PADSA, VDD_MEM, VDD_PRE, VDD_SYNTN) | | 1.7 | 1.8 | 1.9 | V |
| Core input voltage when supplied from internal regulator (VDD_CORE) | | 1.18 | 1.25 | 1.32 | V |
| Operating temperature range | | -40 | — | +85 | °C |

EM358x

3.3. Environmental Characteristics

Table 3.3 lists the rated environmental characteristics of the EM358x.

Table 3.3. Environmental Characteristics

| Parameter | Test Condition | Min | Typ | Max | Unit |
|----------------------------|----------------|-----|-----|------|------|
| ESD (human body model) | On any pin | — | — | ±2 | kV |
| ESD (charged device model) | Non-RF pins | — | — | ±400 | V |
| ESD (charged device model) | RF pins | — | — | ±225 | V |

3.4. DC Electrical Characteristics

Table 3.4 lists the DC electrical characteristics of the EM358x.

Table 3.4. DC Characteristics

| Parameter | Test Condition | Min | Typ | Max | Unit |
|--|------------------------------------|------|-------|------|------|
| Regulator input voltage (VDD_PADS) | | 2.1 | — | 3.6 | V |
| Power supply range (VDD_MEM) | Regulator output or external input | 1.7 | 1.8 | 1.9 | V |
| Power supply range (VDD_CORE) | Regulator output | 1.18 | 1.25 | 1.32 | V |
| Deep Sleep Current | | | | | |
| Quiescent current, internal oscillator disabled, 4 kB RAM retained | −40 °C, VDD_PADS=3.6 V | — | 0.9 | — | μA |
| | +25 °C, VDD_PADS=3.6 V | — | 1.0 | — | μA |
| | +85 °C, VDD_PADS=3.6 V | — | 2.2 | — | μA |
| Quiescent current, including internal RC oscillator, 4 kB RAM retained | −40 °C, VDD_PADS=3.6 V | — | 1.2 | — | μA |
| | +25 °C, VDD_PADS=3.6 V | — | 1.25 | — | μA |
| | +85 °C, VDD_PADS=3.6 V | — | 2.5 | — | μA |
| Quiescent current, including 32.768 kHz oscillator, 4 kB RAM retained | −40 °C, VDD_PADS=3.6 V | — | 1.3 | — | μA |
| | +25 °C, VDD_PADS=3.6 V | — | 1.6 | — | μA |
| | +85 °C, VDD_PADS=3.6 V | — | 2.9 | — | μA |
| Quiescent current, including internal RC oscillator and 32.768 kHz oscillator, 4 kB RAM retained | −40 °C, VDD_PADS=3.6 V | — | 1.6 | — | μA |
| | +25 °C, VDD_PADS=3.6 V | — | 1.9 | — | μA |
| | +85 °C, VDD_PADS=3.6 V | — | 3.2 | — | μA |
| Additional quiescent current per 4 kB block of RAM retained | −40 °C, VDD_PADS=3.6 V | — | 0.007 | — | μA |
| | +25 °C, VDD_PADS=3.6 V | — | 0.067 | — | μA |
| | +85 °C, VDD_PADS=3.6 V | — | 0.76 | — | μA |
| Additional quiescent current when retained RAM exceeds 32 kB | −40 °C, VDD_PADS=3.6 V | — | 0.57 | — | μA |
| | +25 °C, VDD_PADS=3.6 V | — | 0.67 | — | μA |
| | +85 °C, VDD_PADS=3.6 V | — | 2.0 | — | μA |
| Simulated deep sleep (debug mode) current | With no debugger activity | — | 500 | — | μA |

Table 3.4. DC Characteristics (Continued)

| Parameter | Test Condition | Min | Typ | Max | Unit |
|--|--|-----|------|-----|------|
| Reset Current | | | | | |
| Quiescent current, nRESET asserted | Typ at 25 °C/3.0 V Max at 85 °C/3.6 V | — | 2 | 3 | mA |
| Processor and Peripheral Currents | | | | | |
| ARM® Cortex™-M3, RAM, and flash memory | 25 °C, 1.8 V memory and 1.25 V core ARM® Cortex™-M3 running at 12 MHz from crystal oscillator Radio and all peripherals off | — | 7.5 | — | mA |
| ARM® Cortex™-M3, RAM, and flash memory | 25 °C, 1.8 V memory and 1.25 V core ARM® Cortex™-M3 running at 24 MHz from crystal oscillator Radio and all peripherals off | — | 8.5 | — | mA |
| ARM® Cortex™-M3, RAM, and flash memory sleep current | 25 °C, 1.8 V memory and 1.25 V core ARM® Cortex™-M3 sleeping, CPU clock set to 12 MHz from the crystal oscillator Radio and all peripherals off | — | 4.0 | — | mA |
| ARM® Cortex™-M3, RAM, and flash memory sleep current | 25 °C, 1.8 V memory and 1.25 V core ARM® Cortex™-M3 sleeping, CPU clock set to 6 MHz from the high frequency RC oscillator Radio and all peripherals off | — | 2.5 | — | mA |
| Serial controller current | For each controller at maximum data rate | — | 0.2 | — | mA |
| General purpose timer current | For each timer at maximum clock rate | — | 0.25 | — | mA |
| General purpose ADC current | At maximum sample rate, DMA enabled | — | 1.1 | — | mA |
| USB active current | | | 1 | | mA |
| USB suspended mode current | 1.8 V memory and 1.25 V core ARM® Cortex™-M3 sleeping, CPU clock set to 3 MHz from the high frequency RC oscillator. Radio and all peripherals off | | | 2.5 | mA |
| RX Current | | | | | |
| Radio receiver, MAC, and baseband | ARM® Cortex™-M3 sleeping, CPU clock set to 12 MHz | — | 23.5 | — | mA |
| Total RX current (= I _{Radio receiver, MAC and baseband, CPU + IRAM, and Flash memory}) | 25 °C, VDD_PADS=3.0 V ARM® Cortex™-M3 running at 12 MHz | — | 27.0 | — | mA |
| | 25 °C, VDD_PADS=3.0 V ARM® Cortex™-M3 running at 24 MHz | — | 28.0 | — | mA |

Table 3.4. DC Characteristics (Continued)

| Parameter | Test Condition | Min | Typ | Max | Unit |
|--|--|-----|------|-----|------|
| Boost mode total RX current (= I_{Radio} receiver, MAC and base-band, CPU+ IRAM, and flash memory) | 25 °C, VDD_PADS=3.0 V ARM® Cortex™-M3 running at 12 MHz | — | 29.0 | — | mA |
| | 25 °C, VDD_PADS=3.0 V ARM® Cortex™-M3 running at 24 MHz | — | 30.0 | — | mA |
| TX Current | | | | | |
| Radio transmitter, MAC, and base-band | 25 °C and 1.8 V core; max. power out (+3 dBm typical) ARM® Cortex™-M3 sleeping, CPU clock set to 12 MHz | — | 27.5 | — | mA |
| Total TX current (= I_{Radio} transmitter, MAC and baseband, CPU + IRAM, and flash memory) | 25 °C, VDD_PADS=3.0 V; maximum power setting (+8 dBm); ARM® Cortex™-M3 running at 12 MHz | — | 44 | — | mA |
| | 25 °C, VDD_PADS=3.0 V; +3 dBm power setting; ARM® Cortex™-M3 running at 12 MHz | — | 31.5 | — | mA |
| | 25 °C, VDD_PADS=3.0 V; 0 dBm power setting; ARM® Cortex™-M3 running at 12 MHz | — | 29 | — | mA |
| | 25 °C, VDD_PADS=3.0 V; minimum power setting; ARM® Cortex™-M3 running at 12 MHz | — | 24 | — | mA |
| | 25 °C, VDD_PADS=3.0 V; maximum power setting (+8 dBm); ARM® Cortex™-M3 running at 24 MHz | — | 45 | — | mA |
| | 25 °C, VDD_PADS=3.0 V; +3 dBm power setting; ARM® Cortex™-M3 running at 24 MHz | — | 33.5 | — | mA |
| | 25 °C, VDD_PADS=3.0 V; 0 dBm power setting; ARM® Cortex™-M3 running at 24 MHz | — | 30 | — | mA |
| | 25 °C, VDD_PADS=3.0 V; minimum power setting; ARM® Cortex™-M3 running at 24 MHz | — | 24 | — | mA |

Figure 3.1 shows the variation of current in transmit mode (with the ARM® Cortex™-M3 running at 12 MHz).

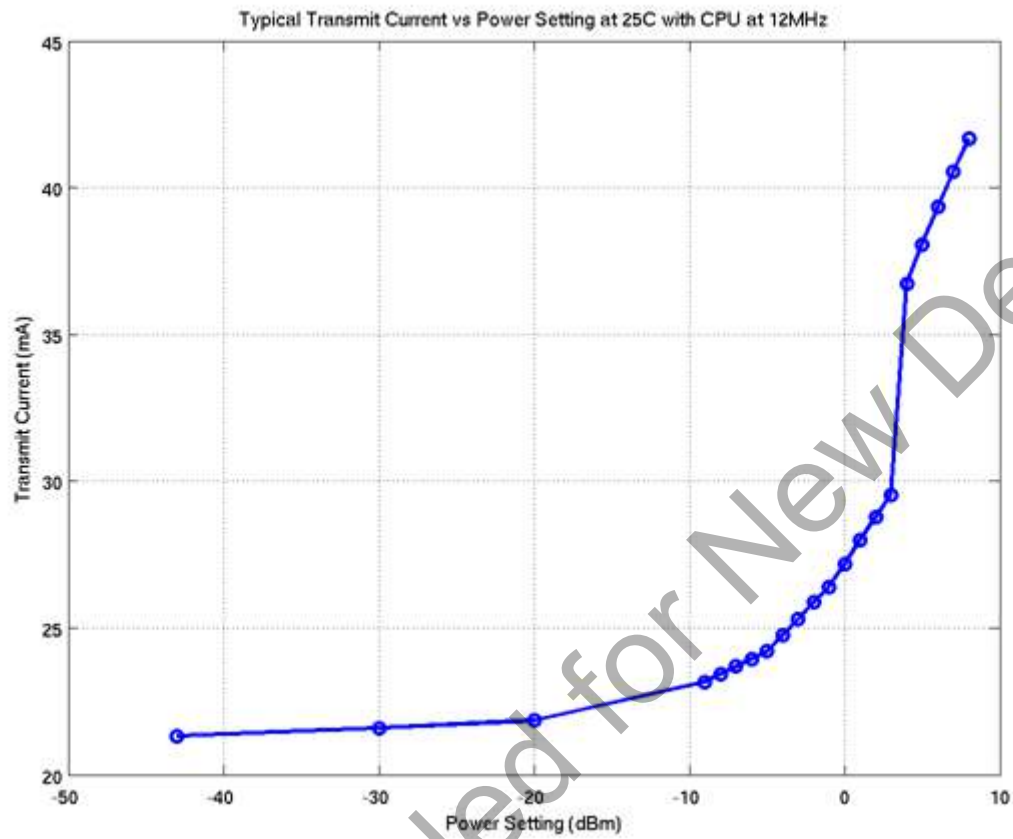


Figure 3.1. Transmit Power Consumption

EM358x

Figure 3.2 shows typical output power against power setting on the Silicon Labs reference design.

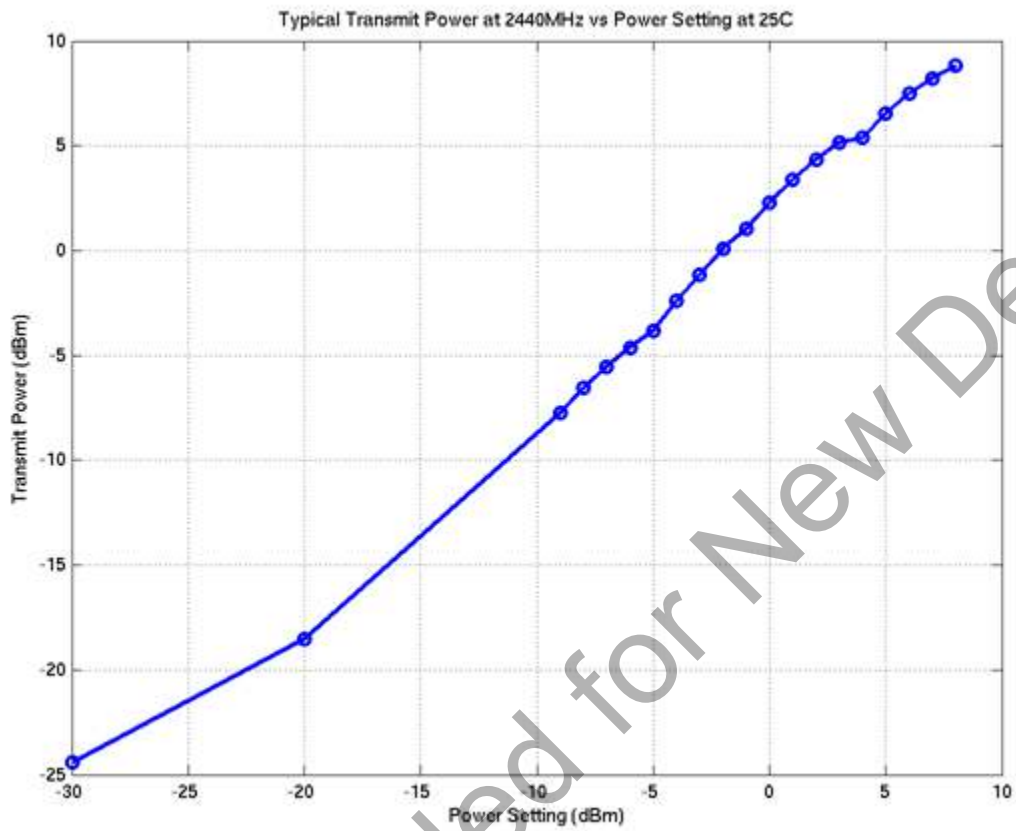


Figure 3.2. Transmit Output Power

3.5. Digital I/O Specifications

Table 3.5 lists the digital I/O specifications for the EM358x. The digital I/O power (named VDD_PADS) comes from three dedicated pins (Pins 23, 28, and 37). The voltage applied to these pins sets the I/O voltage.

Table 3.5. Digital I/O Specifications

| Parameter | Test Condition | Min | Typ | Max | Unit |
|---|---|--------------------|-----|--------------------|------------|
| Voltage supply (regulator input voltage) | | 2.1 | — | 3.6 | V |
| Low Schmitt switching threshold | V_{SWIL} Schmitt input threshold going from high to low | 0.42 x VDD_PADS | — | 0.50 x VDD_PADS | V |
| High Schmitt switching threshold | V_{SWIH} Schmitt input threshold going from low to high | 0.62 x VDD_PADS | — | 0.80 x VDD_PADS | V |
| Input current for logic 0 | I_{IL} | — | — | -0.5 | μ A |
| Input current for logic 1 | I_{IH} | — | — | +0.5 | μ A |
| Input pull-up resistor value | R_{IPU} | 24 | 29 | 34 | k Ω |
| Input pull-down resistor value | R_{IPD} | 24 | 29 | 34 | k Ω |
| Output voltage for logic 0 | V_{OL} ($I_{OL} = 4$ mA for standard pads, 8 mA for high current pads) | 0 | — | 0.18 x VDD_PADS | V |
| Output voltage for logic 1 | V_{OH} ($I_{OH} = 4$ mA for standard pads, 8 mA for high current pads) | 0.82 x VDD_PADS | — | VDD_PADS | V |
| Output source current (standard current pad) | I_{OHS} | — | — | 4 | mA |
| Output sink current (standard current pad) | I_{OLS} | — | — | 4 | mA |
| Output source current high current pad: PA6, PA7, PB6, PB7, PC0 | I_{OHH} | — | — | 8 | mA |
| Output sink current high current pad: PA6, PA7, PB6, PB7, PC0 | I_{OLH} | — | — | 8 | mA |
| Total output current (for I/O Pads) | $I_{OH} + I_{OL}$ | — | — | 40 | mA |

EM358x

Table 3.6 lists the nRESET pin specifications for the EM358x. The digital I/O power (named VDD_PADS) comes from three dedicated pins (Pins 23, 28, and 37). The voltage applied to these pins sets the I/O voltage.

Table 3.6. nReset Pin Specifications

| Parameter | Test Condition | Min | Typ | Max | Unit |
|----------------------------------|--|-----------------|------|-----------------|------------|
| Low Schmitt switching threshold | V_{SWIL} Schmitt input threshold going from high to low | 0.42 x VDD_PADS | — | 0.50 x VDD_PADS | V |
| High Schmitt switching threshold | V_{SWIH} Schmitt input threshold going from low to high | 0.62 x VDD_PADS | — | 0.80 x VDD_PADS | V |
| Input current for logic 0 | I_{IL} | — | — | -0.5 | μ A |
| Input current for logic 1 | I_{IH} | — | — | +0.5 | μ A |
| Input pull-up resistor value | R_{IPU} Pull-up value while the chip is not reset | 24 | 29 | 34 | k Ω |
| Input pull-up resistor value | $R_{IPURESET}$ Pull-up value while the chip is reset | 12 | 14.5 | 17 | k Ω |

3.6. Non-RF System Electrical Characteristics

Table 3.7 lists the non-RF system level characteristics for the EM358x.

Table 3.7. Non-RF System Electrical Characteristics

| Parameter | Test Condition | Min | Typ | Max | Unit |
|-------------------------------------|---|-----|-----|-----|---------|
| System wake time from deep sleep | From wakeup event to first ARM [®] Cortex [™] -M3 instruction running from 6 MHz internal RC clock Includes supply ramp time and oscillator startup time | — | 110 | — | μ s |
| Shutdown time going into deep sleep | From last ARM [®] Cortex [™] -M3 instruction to deep sleep mode | — | 5 | — | μ s |

3.7. RF Electrical Characteristics

3.7.1. Receive

Table 3.8 lists the key parameters of the integrated IEEE 802.15.4-2003 receiver on the EM358x.

Receive measurements were collected with the Silicon Labs EM358x Ceramic Balun Reference Design (Version A0) at 2440 MHz. The typical number indicates one standard deviation above the mean, measured at room temperature (25 °C). The Min and Max numbers were measured over process corners at room temperature.

Table 3.8. Receive Characteristics

| Parameter | Test Condition | Min | Typ | Max | Unit |
|--|--|------|------|------|------|
| Frequency range | | 2400 | — | 2500 | MHz |
| Sensitivity (boost mode) | 1% PER, 20 byte packet defined by IEEE 802.15.4-2003; | — | -102 | -96 | dBm |
| Sensitivity | 1% PER, 20 byte packet defined by IEEE 802.15.4-2003; | — | -100 | -94 | dBm |
| High-side adjacent channel rejection | IEEE 802.15.4-2003 interferer signal, wanted IEEE 802.15.4-2003 signal at -82 dBm | — | 35 | — | dB |
| Low-side adjacent channel rejection | IEEE 802.15.4-2003 interferer signal, wanted IEEE 802.15.4-2003 signal at -82 dBm | — | 35 | — | dB |
| 2 nd high-side adjacent channel rejection | IEEE 802.15.4-2003 interferer signal, wanted IEEE 802.15.4-2003 signal at -82 dBm | — | 46 | — | dB |
| 2 nd low-side adjacent channel rejection | IEEE 802.15.4-2003 interferer signal, wanted IEEE 802.15.4-2003 signal at -82 dBm | — | 46 | — | dB |
| High-side adjacent channel rejection | Filtered IEEE 802.15.4-2003 interferer signal, wanted IEEE 802.15.4-2003 signal at -82 dBm | — | 39 | — | dB |
| Low-side adjacent channel rejection | Filtered IEEE 802.15.4-2003 interferer signal, wanted IEEE 802.15.4-2003 signal at -82 dBm | — | 47 | — | dB |
| 2 nd high-side adjacent channel rejection | Filtered IEEE 802.15.4-2003 interferer signal, wanted IEEE 802.15.4-2003 signal at -82 dBm | — | 49 | — | dB |
| 2 nd low-side adjacent channel rejection | Filtered IEEE 802.15.4-2003 interferer signal, wanted IEEE 802.15.4-2003 signal at -82 dBm | — | 49 | — | dB |
| High-side adjacent channel rejection | CW interferer signal, wanted IEEE 802.15.4-2003 signal at -82 dBm | — | 44 | — | dB |
| Low-side adjacent channel rejection | CW interferer signal, wanted IEEE 802.15.4-2003 signal at -82 dBm | — | 47 | — | dB |

EM358x

Table 3.8. Receive Characteristics (Continued)

| Parameter | Test Condition | Min | Typ | Max | Unit |
|---|---|------|-----|------|------|
| 2 nd high-side adjacent channel rejection | CW interferer signal, wanted IEEE 802.15.4-2003 signal at -82 dBm | — | 59 | — | dB |
| 2 nd low-side adjacent channel rejection | CW interferer signal, wanted IEEE 802.15.4-2003 signal at -82 dBm | — | 59 | — | dB |
| Channel rejection for all other channels | IEEE 802.15.4-2003 interferer signal, wanted IEEE 802.15.4-2003 signal at -82 dBm | — | 40 | — | dB |
| 802.11g rejection centered at +12 MHz or -13 MHz | IEEE 802.15.4-2003 interferer signal, wanted IEEE 802.15.4-2003 signal at -82 dBm | — | 36 | — | dB |
| Maximum input signal level for correct operation | | 0 | — | — | dBm |
| Co-channel rejection | IEEE 802.15.4-2003 interferer signal, wanted IEEE 802.15.4-2003 signal at -82 dBm | — | -6 | — | dBc |
| Relative frequency error tolerance (50% greater than the 2x40 ppm required by IEEE 802.15.4-2003) | | -120 | — | +120 | ppm |
| Relative timing error tolerance (50% greater than the 2x40 ppm required by IEEE 802.15.4-2003) | | -120 | — | +120 | ppm |
| Linear RSSI range | As defined by IEEE 802.15.4-2003 | 40 | — | — | dB |
| RSSI Range | | -90 | — | -40 | dBm |

Figure 3.3 shows the variation of receive sensitivity with temperature for boost mode and normal mode for a typical chip.

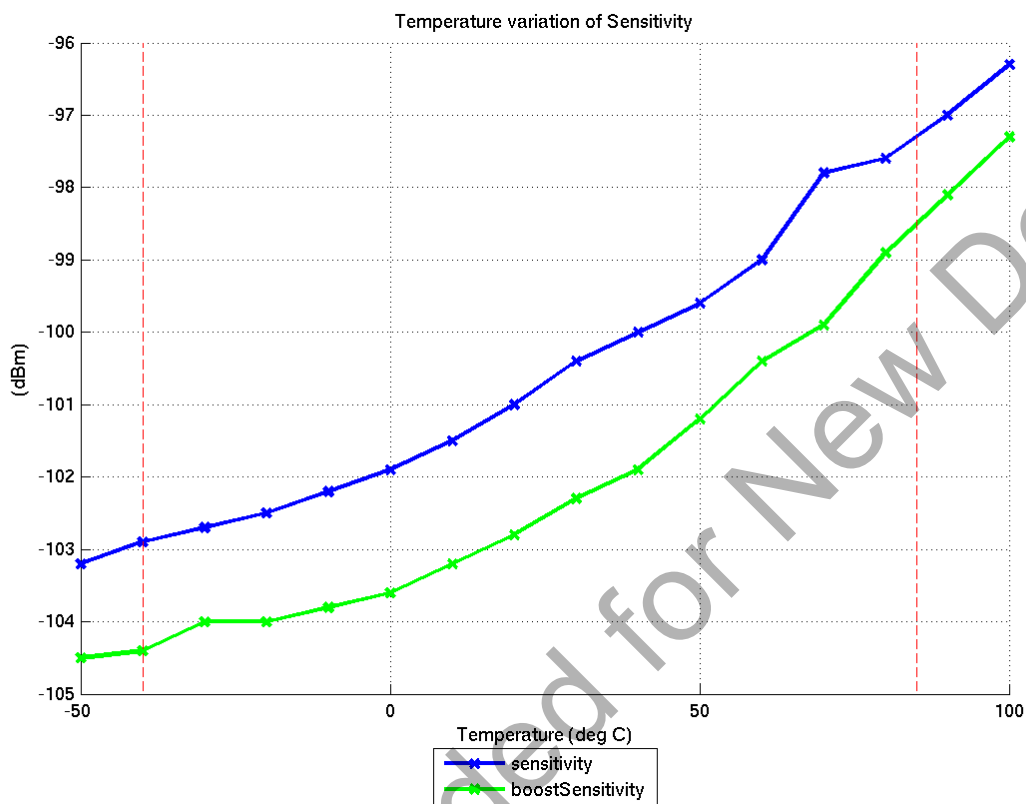


Figure 3.3. Receive Sensitivity vs. Temperature

EM358x

3.7.2. Transmit

Table 3.9 lists the key parameters of the integrated IEEE 802.15.4-2003 transmitter on the EM358x.

Transmit measurements were collected with the Silicon Labs EM358x Ceramic Balun Reference Design (Version A0) at 2440 MHz. The Typical number indicates one standard deviation below the mean, measured at room temperature (25 °C). The Min and Max numbers were measured over process corners at room temperature. In terms of impedance, this reference design presents a 3n3 inductor in parallel with a 100:50 Ω balun to the RF pins.

Table 3.9. Transmit Characteristics

| Parameter | Test Condition | Min | Typ | Max | Unit |
|-------------------------------------|--|-----|-----|-----|------|
| Maximum output power (boost mode) | At highest boost mode power setting (+8) | — | 8 | — | dBm |
| Maximum output power | At highest normal mode power setting (+3) | 1 | 5 | — | dBm |
| Minimum output power | At lowest power setting | — | -55 | — | dBm |
| Error vector magnitude (Offset-EVM) | As defined by IEEE 802.15.4-2003, which sets a 35% maximum | — | 5 | 15 | % |
| Carrier frequency error | | -40 | — | +40 | ppm |
| PSD mask relative | 3.5 MHz away | -20 | — | — | dB |
| PSD mask absolute | 3.5 MHz away | -30 | — | — | dBm |

Figure 3.4 shows the variation of transmit power with temperature for maximum boost mode power, and normal mode for a typical chip.

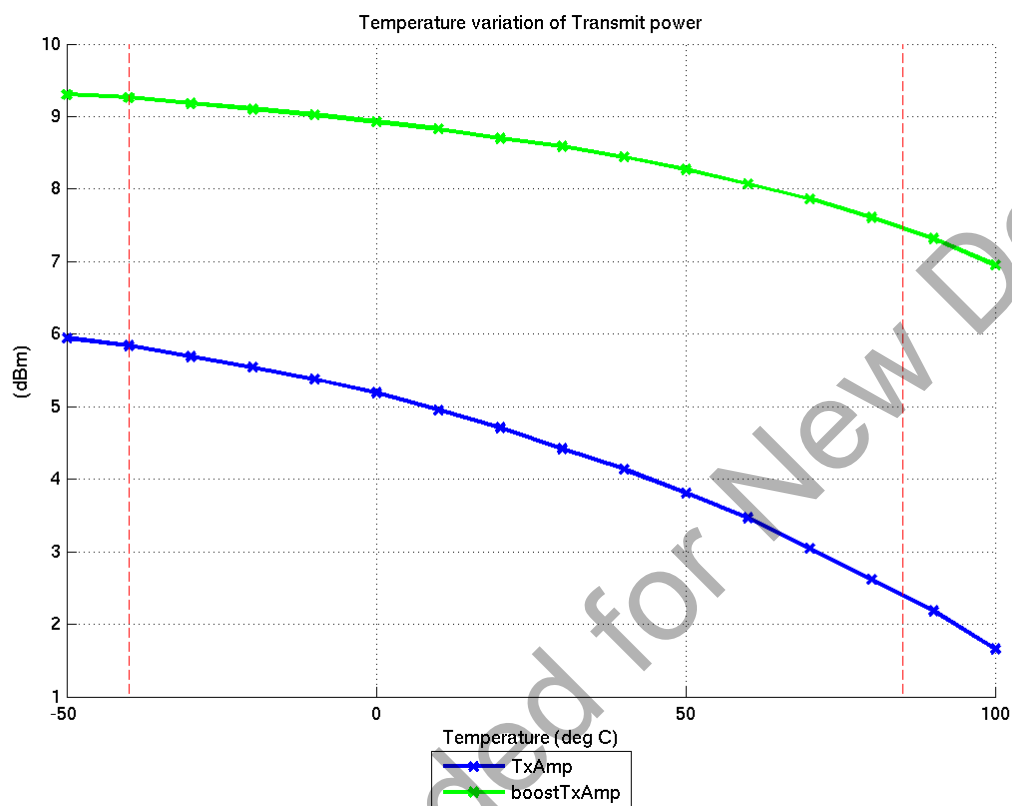


Figure 3.4. Transmit Power vs. Temperature

EM358x

3.7.3. Synthesizer

Table 3.10 lists the key parameters of the integrated synthesizer on the EM358x.

Table 3.10. Synthesizer Characteristics

| Parameter | Test Condition | Min | Typ | Max | Unit |
|-------------------------------|--|------|------|------|--------|
| Frequency range | | 2400 | — | 2500 | MHz |
| Frequency resolution | | — | 11.7 | — | kHz |
| Lock time | From off | — | — | 100 | μs |
| Relock time | Channel change or RX/TX turnaround (IEEE 802.15.4-2003 defines 192 μs turnaround time) | — | — | 100 | μs |
| Phase noise at 100 kHz offset | | — | -75 | — | dBc/Hz |
| Phase noise at 1 MHz offset | | — | -100 | — | dBc/Hz |
| Phase noise at 4 MHz offset | | — | -108 | — | dBc/Hz |
| Phase noise at 10 MHz offset | | — | -114 | — | dBc/Hz |

4. EM358x System Overview

Figure 4.1 shows a detailed block diagram of the EM358x.

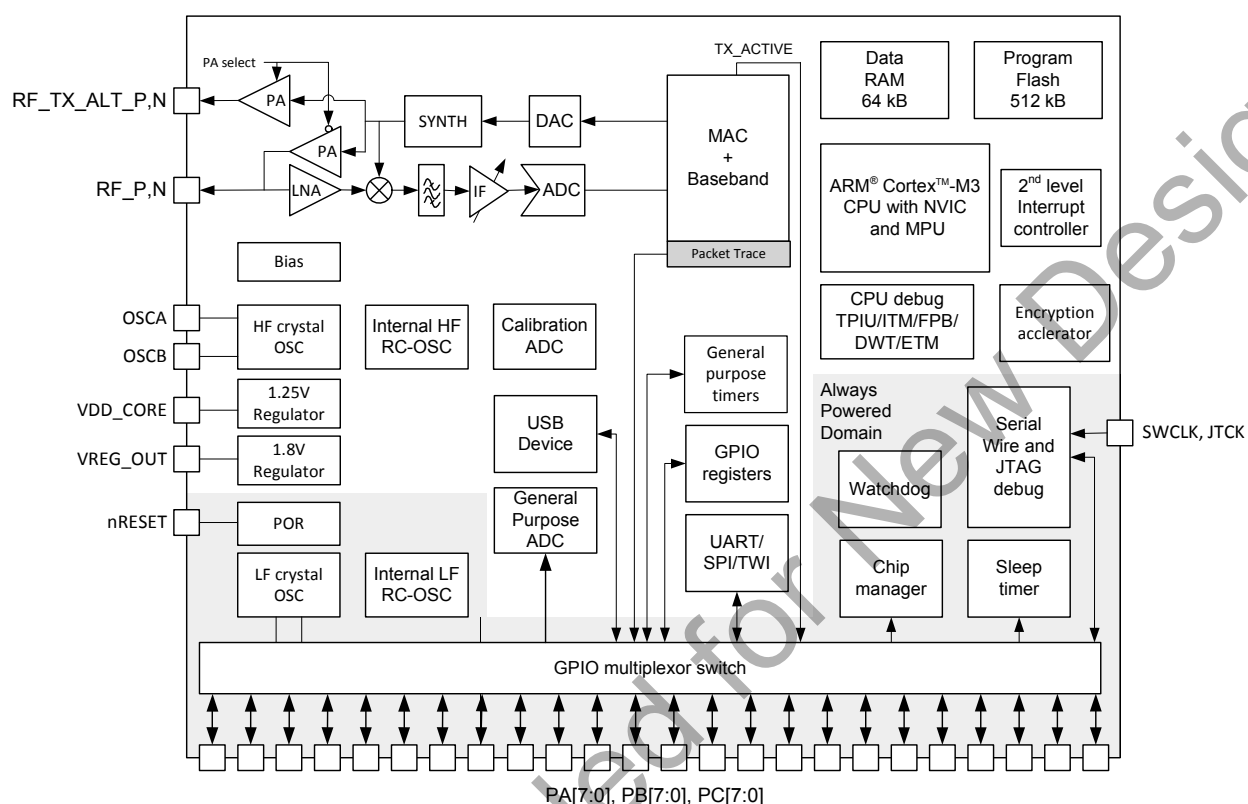


Figure 4.1. EM358x Block Diagram

The EM358x radio receiver is a low-IF, super-heterodyne receiver. The architecture has been chosen to optimize co-existence with other devices in the 2.4 GHz band (namely Wi-Fi and Bluetooth), and to minimize power consumption. The receiver uses differential signal paths to reduce sensitivity to noise interference. Following RF amplification, the signal is downconverted by an image-rejecting mixer, filtered, and then digitized by an ADC.

The digital section of the receiver uses a coherent demodulator to generate symbols for the hardware-based MAC. The digital receiver also contains the analog radio calibration routines, and controls the gain within the receiver path.

The radio transmitter uses an efficient architecture in which the data stream directly modulates the VCO frequency. An integrated PA provides the output power. Digital logic controls Tx path and output power calibration. If the EM358x is to be used with an external PA, use the TX_ACTIVE or nTX_ACTIVE signal to control the timing of the external switching logic.

The integrated 4.8 GHz VCO and loop filter minimize off-chip circuitry. Only a 24 MHz crystal with its loading capacitors is required to establish the PLL local oscillator signal.

The MAC interfaces the on-chip RAM to the Rx and Tx baseband modules. The MAC provides hardware-based IEEE 802.15.4-2003 packet-level filtering. It supplies an accurate symbol time base that minimizes the synchronization effort of the Ember software and meets the protocol timing requirements. In addition, it provides timer and synchronization assistance for the IEEE 802.15.4-2003 CSMA-CA algorithm.

The EM358x integrates hardware support for a packet trace module, which allows robust packet-based debug. This element is a critical component of Ember Desktop, the Ember development environment, and provides advanced network debug capability when used with the Ember Debug Adapter (ISA3).

The EM358x integrates an ARM[®] Cortex[™]-M3 microprocessor, revision r1p1. This industry-leading core provides

EM358x

32-bit performance and is very power-efficient. It has excellent code density using the ARM[®] Thumb-2 instruction set. The processor can be operated at 12 or 24 MHz when using the high-frequency crystal oscillator, or at 6 MHz or 12 MHz when using the high-frequency internal RC oscillator.

EM358x parts have either 256 or 512 kB of flash memory and either 32 or 64 kB of RAM on-chip, and the ARM configurable memory protection unit (MPU).

The EM358x implements both the ARM Serial Wire and JTAG debug interfaces. These interfaces provide real time, non-intrusive programming and debugging capabilities. Serial Wire and JTAG provide the same functionality, but are mutually exclusive. The Serial Wire interface uses two pins; the JTAG interface uses five. Serial Wire is preferred, since it uses fewer pins.

The EM358x contains the ARM[®] Embedded Trace Macrocell (ETM) to provide advanced real time software debugging features for complex systems.

The EM358x contains 24 GPIO pins shared with other peripheral or alternate functions. Because of flexible routing within the EM358x, external devices can use the alternate functions on a variety of different GPIOs. The integrated serial controller SC1 can be configured for SPI (master or slave), TWI (master-only), or UART operation, and the serial controller SC2 can be configured for SPI (master or slave) or TWI (master-only) operation.

The EM358x has an optional integrated USB 2.0-compliant, full-speed (12 Mbps) device peripheral, with an on-chip transceiver. It is available on GPIO pins.

The EM358x has a general purpose ADC which can sample analog signals from six GPIO pins in single-ended or differential modes. It can also sample the 1.8 V regulated supply VDD_PADSA, the voltage reference VREF, and GND. The ADC has one voltage range: 0 V to 1.2 V (normal). The ADC has a DMA mode to capture samples and automatically transfer them into RAM. The integrated voltage reference for the ADC, VREF, can be made available to external circuitry. An external voltage reference can also be driven into the ADC. The regulator input voltage, VDD_PADS, cannot be measured using the general purpose ADC, but it can be measured through Ember software.

The EM358x contains four oscillators: a high-frequency 24 MHz external crystal oscillator, a high-frequency 12 MHz internal RC oscillator, an optional low-frequency 32.768 kHz external crystal oscillator, and a low-frequency 10 kHz internal RC oscillator.

The EM358x has an ultra low power, deep sleep state with a choice of clocking modes. The sleep timer can be clocked with either the external 32.768 kHz crystal oscillator or with a 1 kHz clock derived from the internal 10 kHz RC oscillator. Alternatively, all clocks can be disabled for the lowest power mode. In the lowest power mode, only external events on GPIO pins will wake up the chip. The EM358x has a fast startup time (typically 110 μ s) from deep sleep to the execution of the first ARM[®] Cortex[™]-M3 instruction.

The EM358x contains three power domains. The always-on high voltage supply powers the GPIO pads and critical chip functions. Regulated low voltage supplies power the rest of the chip. The low voltage supplies are disabled during deep sleep to reduce power consumption. Integrated voltage regulators generate regulated 1.25 V and 1.8 V voltages from an unregulated supply voltage. The 1.8 V regulator output is decoupled and routed externally to supply analog blocks, RAM, and flash memories. The 1.25 V regulator output is decoupled externally and supplies the core logic.

EM358x parts are pin-compatible with the Ember EM351 and EM357 chips.

Note: The EM358x is not pin-compatible with the previous generation of Ember chip, the EM250, except for the RF section of the chip. Pins 1-11 and 45-48 are compatible, to ease migration to the EM358x.

The following sections summarize features of the EM358x that are addressed in more detail in the *Ember EM358x Reference Manual*.

4.1. Microprocessor and Memory

Refer to chapter 2 in the *Ember EM358x Reference Manual* for more information.

4.1.1. ARM[®] Cortex[™]-M3 Microprocessor

The EM358x integrates the ARM[®] Cortex[™]-M3 microprocessor, revision r1p1, developed by ARM Ltd., making the EM358x a true System-on-Chip solution. The ARM[®] Cortex[™]-M3 is an advanced 32-bit modified Harvard architecture processor that has separate internal program and data buses, but presents a unified program and data

address space to software.

4.1.2. Embedded Memory

Embedded memory consists of flash memory and RAM.

The EM358x provides a total of either 256 or 512 kB of flash memory. The flash memory is provided in three separate blocks:

- Main Flash Block (MFB)
- Fixed Information Block (FIB)
- Customer Information Block (CIB)

The EM358x has either 32 or 64 kB of static RAM on-chip. Although the ARM® Cortex™-M3 allows bit band accesses to this address region, the standard MPU configuration does not permit use of the bit-band feature. The RAM is physically connected to the AHB System bus and is therefore accessible to both the ARM® Cortex™-M3 microprocessor and the debugger. The radio (802.15.4-2003 MAC), general purpose ADC, USB device controller, and the two serial controllers are equipped with DMA controllers, which allow them to transfer data into and out of RAM autonomously.

4.2. Interrupt System

The EM358x's interrupt system is composed of two parts: a standard ARM® Cortex™-M3 Nested Vectored Interrupt Controller (NVIC) that provides top-level interrupts, and a proprietary Event Manager (EM) that provides second-level interrupts. The NVIC and EM provide a simple hierarchy. All second-level interrupts from the EM feed into top-level interrupts in the NVIC. This two-level hierarchy allows for both fine granular control of interrupt sources and coarse granular control over entire peripherals, while allowing peripherals to have their own interrupt vector.

Refer to chapter 3 in the *Ember EM358x Reference Manual* for more information.

4.2.1. Nested Vectored Interrupt Controller (NVIC)

The ARM® Cortex™-M3 Nested Vectored Interrupt Controller (NVIC) facilitates low-latency exception and interrupt handling. The NVIC and the processor core interface are closely coupled, which enables low-latency interrupt processing and efficient processing of late-arriving interrupts. The NVIC maintains knowledge of the stacked (nested) interrupts to enable tail-chaining of interrupts. The NVIC also contains a software-configurable interrupt prioritization mechanism.

4.2.2. Event Manager

The proprietary Event Manager provides second-level interrupts. The Event Manager takes a large variety of hardware interrupt sources from the peripherals and merges them into a smaller group of interrupts in the NVIC. Effectively, all second-level interrupts from a peripheral are "OR'd" together into a single interrupt in the NVIC. In addition, the Event Manager provides missed indicators for the top-level peripheral interrupts with the register INT_MISS.

4.2.3. Memory Protection Unit

The EM358x includes the ARM® Cortex™-M3 Memory Protection Unit, or MPU. The MPU controls access rights and characteristics of up to eight address regions, each of which may be divided into eight equal sub-regions. Refer to the ARM® Cortex™-M3 Technical Reference Manual (DDI 0337A) for a detailed description of the MPU.

4.3. Radio Module

The radio module consists of an analog front end and digital baseband.

Refer to chapter 4 in the *Ember EM358x Reference Manual* for more information.

4.3.1. Receive (Rx) Path

The EM358x Rx path uses a low-IF, super-heterodyne receiver that rejects the image frequency using complex mixing and polyphase filtering. The filtering within the Rx path improves the EM358x's co-existence with other 2.4 GHz transceivers such as Zigbee/ 802.15.4-2003, IEEE 802.11-2007, and Bluetooth radios. The digital baseband also provides gain control of the Rx path, both to enable the reception of small and large wanted signals and to tolerate large interferers.

4.3.2. Transmit (Tx) Path

The EM358x Tx path produces an O-QPSK-modulated signal using the analog front end and digital baseband. The area- and power-efficient Tx architecture uses a two-point modulation scheme to modulate the RF signal generated by the synthesizer. The modulated RF signal is fed to the integrated PA and then out of the EM358x.

4.3.3. Integrated MAC Module

The EM358x integrates most of the IEEE 802.15.4-2003 MAC requirements in hardware. This allows the ARM[®] Cortex[™]-M3 CPU to provide greater bandwidth to application and network operations. In addition, the hardware acts as a first-line filter for unwanted packets. The EM358x MAC uses a DMA interface to RAM to further reduce the overall ARM[®] Cortex[™]-M3 CPU interaction when transmitting or receiving packets.

The primary features of the MAC are:

- CRC generation, appending, and checking
- Hardware timers and interrupts to achieve the MAC symbol timing
- Automatic preamble and SFD pre-pending on Tx packets
- Address recognition and packet filtering on Rx packets
- Automatic acknowledgement transmission
- Automatic transmission of packets from memory
- Automatic transmission after backoff time if channel is clear (CCA)
- Automatic acknowledgement checking
- Time stamping received and transmitted messages
- Attaching packet information to received packets (LQI, RSSI, gain, time stamp, and packet status)
- IEEE 802.15.4-2003 timing and slotted/unslotted timing

4.3.4. Packet Trace Interface (PTI)

The EM358x integrates a true PHY-level PTI with the MAC, allowing complete, non-intrusive capture of all packets to and from the EM358x with Ember development tools.

4.3.5. Random Number Generator

Thermal noise in the analog circuitry is digitized to provide entropy for a true random number generator (TRNG). Ember software uses the TRNG to seed a pseudo random number generator (PRNG). The TRNG is also used directly for cryptographic key generation.

4.4. System Modules

System modules encompass power domains, resets, clocks, system timers, power management, and encryption.

Refer to chapter 5 in the *Ember EM358x Reference Manual* for more information.

4.4.1. Power domains

The EM358x contains three power domains:

- An “always-on domain” containing all logic and analog cells required to manage the EM358x’s power modes, including the GPIO controller and sleep timer. This domain must remain powered.
- A “core domain” containing the CPU, Nested Vectored Interrupt Controller (NVIC), and peripherals. To save power, this domain can be powered down using a mode called deep sleep. In the EM358x the core domain also includes the RAM, which by default is powered down in deep sleep. An additional feature of the RAM is that blocks of RAM cells can optionally be retained in deep sleep. This is configured using a register, which must be written before entering deep sleep.
- A “flash domain” containing the flash memory. This domain is managed by the power management controller. During deep sleep the flash portion is completely powered down.

The preferred and recommended power configuration is to use the internal regulated power supplies to provide power to the core and memory domains. Optionally, the on-chip regulators may be left unused, and the core and memory domains may instead be powered from external supplies.

Refer to chapter 6 in the *Ember EM358x Reference Manual* for more information.

4.4.2. Resets

The EM358x resets are generated from a number of sources. Each of these reset sources feeds into central reset detection logic that causes various parts of the system to be reset depending on the state of the system and the nature of the reset event. Reset sources include:

- Power-On-Resets (POR HV and POR LV)
- nRESET Pin
- Watchdog Reset
- Software Reset
- Option Byte Error
- Debug Reset
- J_RST
- Deep Sleep Reset

The EM358x records the last reset condition that generated a restart to the system. The Reset Generation module responds to reset sources and generates reset signals, which vary based on the reset source and cause.

4.4.3. Clocks

The EM358x integrates four oscillators:

- 12 MHz RC oscillator: Used as the default system clock source when power is applied to the core domain.
- 24 MHz crystal oscillator: Requires an external 24 MHz crystal. Used as the system clock source when all peripherals, including the radio peripheral, require the most accurate clock.
- 10 kHz RC oscillator: Provided as an internal timing reference
- 32.768 kHz crystal oscillator: Provided as an optional timing reference for on-chip timers.

4.4.4. System Timers

The EM358x contains three system timers:

- Watchdog Timer: Can be enabled to provide protection against software crashes and ARM® Cortex™-M3 CPU lockup.
- Sleep Timer: 32-bit timer dedicated to system timing and waking from sleep at specific times.
- Event Timer: An ARM® standard system timer in the NVIC.

4.4.5. Power Management

The EM358x's power management system is designed to achieve the lowest deep sleep current consumption possible while still providing flexible wakeup sources, timer activity, and debugger operation. The EM358x has four main sleep modes:

- Idle Sleep: Puts the CPU into an idle state where execution is suspended until any interrupt occurs. All power domains remain fully powered and nothing is reset.
- Deep Sleep 1: The primary deep sleep state. In this state, the core power domain is fully powered down and the sleep timer is active.
- Deep Sleep 2: The same as Deep Sleep 1 except that the sleep timer is inactive to save power. In this mode the sleep timer cannot wake up the EM358x.
- Deep Sleep 0 (also known as Emulated Deep Sleep): The chip emulates a true deep sleep without powering down the core domain. Instead, the core domain remains powered and all peripherals except the system debug components (ITM, DWT, FPB, NVIC) are held in reset. The purpose of this sleep state is to allow EM358x software to perform a deep sleep cycle while maintaining debug configuration such as breakpoints.

The deep sleep modes consume less than 2 μ A power. When in deep sleep the EM358x can be returned to the running state in a number of ways. The wake sources are split depending on deep sleep 1 or deep sleep 2.

The RAM can optionally be configured to select banks of locations to be non-volatile. In deep sleep those banks selected are powered by a low leakage internal regulator that remains on during deep sleep, powered from the always-on supply.

4.5. Integrated Voltage Regulator

The EM358x integrates two low dropout regulators to provide 1.8 V and 1.25 V power supplies. The 1V8 regulator supplies the analog and memories, and the 1V25 regulator supplies the digital core. In deep sleep the voltage regulators are disabled. An external 1.8 V regulator may replace both internal regulators. The always-on domain needs to be minimally powered at 2.1 V, and cannot be powered from the external 1.8 V regulator.

Refer to chapter 6 in the Ember EM358x Reference Manual for more information.

4.6. Peripherals

4.6.1. GPIO

The EM358x has 24 multi-purpose GPIO pins, which may be individually configured as:

- General purpose output
- General purpose open-drain output
- Alternate output controlled by a peripheral device
- Alternate open-drain output controlled by a peripheral device
- Analog
- General purpose input
- General purpose input with pull-up or pull-down resistor

The 24 GPIO pins are grouped into three ports. Each pin has a 4-bit configuration value in its GPIO_PxCFGH/L register. If a GPIO has two peripherals that can be the source of alternate output mode data, then other registers in addition to GPIO_PxCFGH/L determine which peripheral controls the output. For some GPIOs the GPIO_PxCFGH/L configuration will be overridden. These functions are forced when the EM358x is reset and remain forced until software or an external debugger overrides the forced functions.

Refer to chapter 7 in the *Ember EM358x Reference Manual* for more information.

4.6.2. Serial Controllers

The EM358x has two serial controllers, SC1 and SC2, which provide several options for full-duplex synchronous and asynchronous serial communications.

- SPI (Serial Peripheral Interface), master or slave
- TWI (Two Wire serial Interface), master only
- UART (Universal Asynchronous Receiver/Transmitter), SC1 only
- Receive and transmit FIFOs and DMA channels, SPI and UART modes

Both SC1 and SC2 SPI controllers include an SPI master controller with the following features:

- Full duplex operation
- Programmable clock frequency (12 MHz max.)
- Programmable clock polarity and phase
- Selectable data shift direction (either LSB or MSB first)
- Receive and transmit FIFOs
- Receive and transmit DMA channels

Both SC1 and SC2 SPI controllers include a SPI slave controller with these features:

- Full duplex operation
- Up to 5 Mbps data transfer rate
- Programmable clock polarity and clock phase
- Selectable data shift direction (either LSB or MSB first)
- Slave select input

Both SC1 and SC2 include a Two Wire serial Interface (TWI) master controller with the following features:

- Uses only two bidirectional GPIO pins
- Programmable clock frequency (up to 400 kHz)
- Supports both 7-bit and 10-bit addressing

- Compatible with Philips' I2C-bus slave devices

The SC1 UART supports the following features:

- Flexible baud rate clock (300 bps to 921.6 kbps)
- Data bits (7 or 8)
- Parity bits (none, odd, or even)
- Stop bits (1 or 2)
- False start bit and noise filtering
- Receive and transmit FIFOs
- Optional RTS/CTS flow control
- Receive and transmit DMA channels

Receive and transmit FIFOs allow faster data speeds using byte-at-a-time interrupts. For the highest SPI and UART speeds, dedicated receive and transmit DMA channels reduce CPU loading and extend the allowable time to service a serial controller interrupt.

Refer to chapter 8 in the *Ember EM358x Reference Manual* for more information.

4.6.3. USB

EM3582, EM3586 and EM3588 variants have a USB 2.0-compliant full-speed (12 Mbps) device peripheral, with on-chip transceiver.

It supports up to six endpoints (in addition to the control endpoint 0). There are five endpoints that can be used as either interrupt or bulk and one isochronous endpoint.

The USB peripheral is interfaced to the CPU through memory mapped registers for control, and DMA for data. The USB device generates its own 48 MHz internal clock from the main 24 MHz crystal clock.

The EM358x, where applicable, fully supports USB suspend and resume modes, and meets the USB specification suspend current of <2.5mA. It achieves this by switching the chip to run from a divided down version of the system clock.

Refer to chapter 9 in the *Ember EM358x Reference Manual* for more information.

4.6.4. General Purpose Timers

Each of the EM358x's two general-purpose timers consists of a 16-bit auto-reload counter driven by a programmable prescaler. They may be used for a variety of purposes, including measuring the pulse lengths of input signals (input capture) or generating output waveforms (output compare and PWM). Pulse lengths and waveform periods can be modulated from a few microseconds to several milliseconds using the timer prescaler. The timers are completely independent, and do not share any resources. They can be synchronized together.

The two general-purpose timers, TIM1 and TIM2, have the following features:

- 16-bit up, down, or up/down auto-reload counter.
- Programmable prescaler to divide the counter clock by any power of two from 1 through 32768.
- 4 independent channels for:
 - Input capture
 - Output compare
 - PWM generation (edge- and center-aligned mode)
 - One-pulse mode output
- Synchronization circuit to control the timer with external signals and to interconnect the timers.
- Flexible clock source selection:
 - Peripheral clock (PCLK at 6 or 12 MHz)
 - 32.768 kHz external clock (if available)
 - 1 kHz clock
 - GPIO input
- Interrupt generation on the following events:
 - Update: counter overflow/underflow, counter initialization (software or internal/external trigger)
 - Trigger event (counter start, stop, initialization or count by internal/external trigger)

- Input capture
- Output compare
- Supports incremental (quadrature) encoders and Hall sensors for positioning applications.
- Trigger input for external clock or cycle-by-cycle current management.

Refer to chapter 10 in the *Ember EM358x Reference Manual* for more information.

4.6.5. Analog-to-Digital Converter (ADC)

The EM358x ADC is a first-order sigma-delta converter with the following features:

- Resolution of up to 14 bits
- Sample times as fast as 5.33 μ s (188 kHz)
- Differential and single-ended conversions from six external and four internal sources
- One voltage range (differential): -VREF to +VREF
- Choice of internal or external VREF
- internal VREF may be output to PB0 or external VREF may be derived from PB0
- Digital offset and gain correction
- Dedicated DMA channel with one-shot and continuous operating modes

Refer to chapter 11 in the *Ember EM358x Reference Manual* for more information.

4.7. Debugging

The EM358x utilizes standard Serial Wire and JTAG interfaces for powerful software debugging and programming of the ARM[®] Cortex[™]-M3 core. The EM358x integrates the standard ARM[®] system debug components: Flash Patch and Breakpoint (FPB), Data Watchpoint and Trace (DWT), and Instrumentation Trace Macrocell (ITM) as well as the advanced Embedded Trace Macrocell (ETM).

4.7.1. Trace Port Interface Unit (TPIU)

The EM358x integrates the standard ARM[®] Trace Port Interface Unit (TPIU). The TPIU receives a data stream from the on-chip trace data generated by the standard ARM[®] Instrument Trace Macrocell (ITM) and ARM[®] Embedded Trace Macrocell (ETM), buffers the data in a FIFO for the ITM and FIFO for the ETM, formats the data, and serializes the data to be sent off chip through alternate functions of the GPIO.

Refer to chapter 12 in the *Ember EM358x Reference Manual* for more information.

4.7.2. Instrumentation Trace Macrocell (ITM)

The EM358x integrates the standard ARM[®] Instrumentation Trace Macrocell (ITM). The ITM is an application-driven trace source that supports printf style debugging to trace software events and emits diagnostic system information from the ARM[®] Data Watchpoint and Trace (DWT). Software using the ITM generates Software Instrumentation Trace (SWIT). In addition, the ITM provides coarse-grained timestamp functionality.

Refer to chapter 13 in the *Ember EM358x Reference Manual* for more information.

4.7.3. Embedded Trace Macrocell (ETM)

The EM358x integrates the standard ARM[®] Embedded Trace Macrocell (ETM) version 3.4. The ETM is a powerful debug component that enables reconstruction of program execution. It is designed as a high-speed, low-power debug tool that only supports instruction trace.

Refer to chapter 14 in the *Ember EM358x Reference Manual* for more information.

4.7.4. Data Watchpoint and Trace (DWT)

The EM358x integrates the standard ARM[®] Data Watchpoint and Trace (DWT). The DWT provides hardware support for profiling and debugging functionality. The DWT offers the following features:

- PC sampling
- Comparators to support:
 - Watchpoints – enters debug state
 - Data tracing
 - Cycle count matched PC sampling
- Exception trace support

- Instruction cycle count calculation support

Refer to chapter 15 in the *Ember EM358x Reference Manual* for more information.

4.7.5. Flash Patch and Breakpoint (FPB)

The EM358x integrates the standard ARM[®] Flash Patch and Breakpoint (FPB). The FPB implements hardware breakpoints. The FPB also provides support for remapping of specific instruction or literal locations from flash memory to an address in RAM memory. The FPB contains:

- Two literal comparators for matching against literal loads from flash space, and remapping to a corresponding RAM space.
- Six instruction comparators for matching against instruction fetches from flash space, and remapping to a corresponding RAM space. Alternatively, the comparators can be individually configured to return a breakpoint instruction to the processor core on a match, implementing hardware breakpoint capability.

Refer to chapter 16 in the *Ember EM358x Reference Manual* for more information.

4.7.6. Serial Wire and JTAG (SWJ) Interface

The EM358x includes a standard Serial Wire and JTAG (SWJ) Interface. The SWJ is the primary debug and programming interface of the EM358x. The SWJ gives debug tools access to the internal buses of the EM358x, and allows for non-intrusive memory and register access as well as CPU halt-step style debugging. Therefore, any design implementing the EM358x should make the SWJ signals readily available.

Serial Wire is an ARM[®] standard, bi-directional, two-wire protocol designed to replace JTAG, and provides all the normal JTAG debug and test functionality. JTAG is a standard five-wire protocol providing debug and test functionality. In addition, the two Serial Wire signals (SWDIO and SWCLK) are overlaid on two of the JTAG signals (JTMS and JTCK). This keeps the design compact and allows debug tools to switch between Serial Wire and JTAG as needed, without changing pin connections.

While Serial Wire and JTAG offer the same debug and test functionality, Silicon Labs recommends Serial Wire. Serial Wire uses only two pins instead of five, and offers a simple communication protocol, high performance data rates, low power, built-in error detection, and protection from glitches.

The SWJ pins are forced functions, and their corresponding GPIO_PxCFGL configurations are overridden when the EM358x resets.

Refer to chapter 17 in the *Ember EM358x Reference Manual* for more information.

EM358x

5. Ordering Information

Use the following part number to order the EM358x:

| Orderable Part Number | Package materials / quantity | Flash (kB) | RAM (kB) | USB |
|-----------------------|---------------------------------------|------------|----------|-----|
| EM3581-RTR | Tape & Reel, contains 2000 units/reel | 256 | 32 | No |
| EM3582-RTR* | Tape & Reel, contains 2000 units/reel | 256 | 32 | Yes |
| EM3585-RTR | Tape & Reel, contains 2000 units/reel | 512 | 32 | No |
| EM3586-RTR | Tape & Reel, contains 2000 units/reel | 512 | 32 | Yes |
| EM3587-RTR | Tape & Reel, contains 2000 units/reel | 512 | 64 | No |
| EM3588-RTR | Tape & Reel, contains 2000 units/reel | 512 | 64 | Yes |

***Note:** This part is EOL.

To order parts, contact Silicon Labs at 1+(877) 444-3032, or find a sales office or distributor on our website, www.silabs.com.

6. Pin Assignments

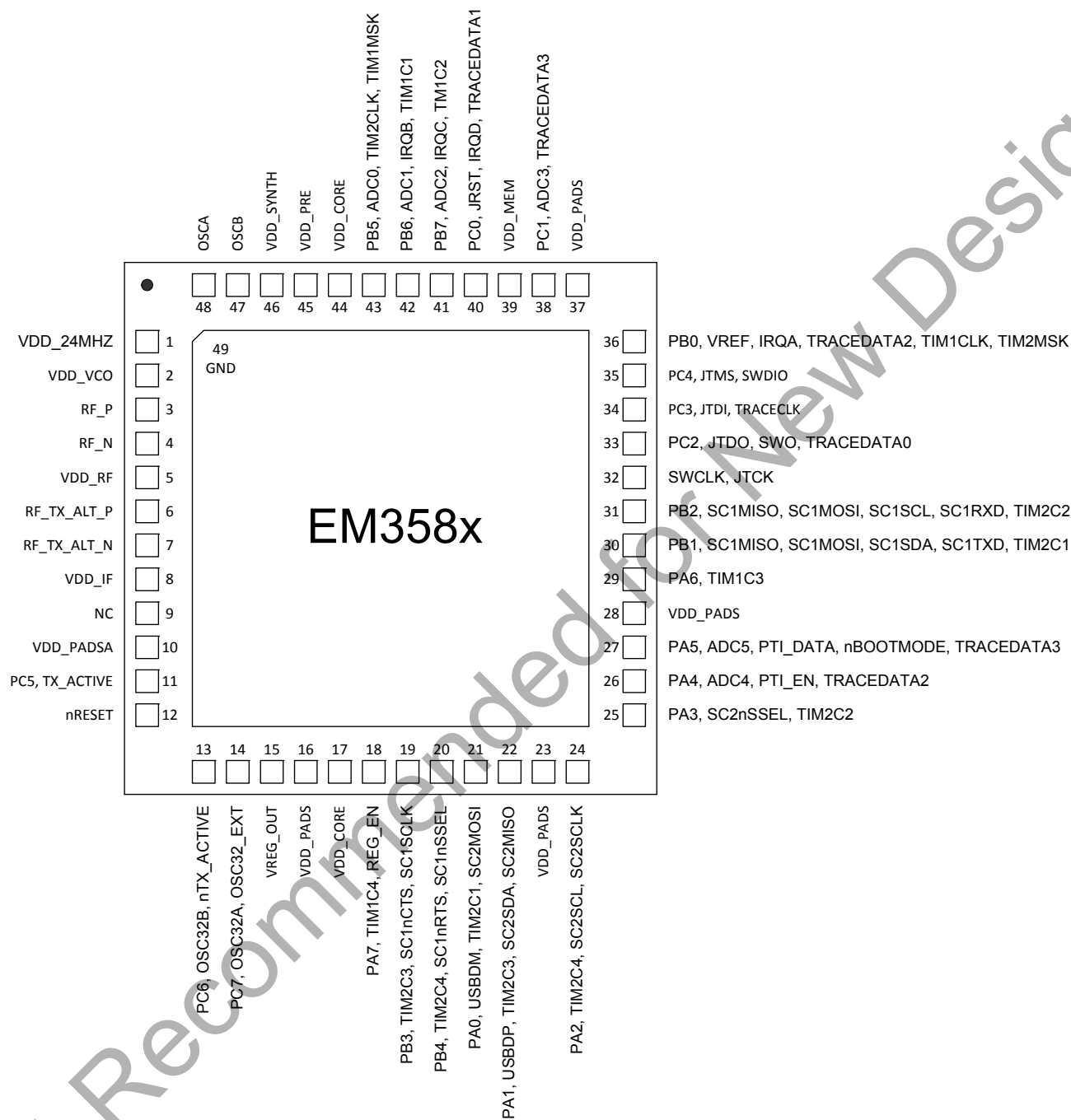


Figure 6.1. EM358x Pin Definitions

Refer to Chapter 7, GPIO, in the *Ember EM358x Reference Manual* for details about selecting GPIO pin functions.

Table 6.1. EM358x Pin Descriptions

| Pin # | Signal | Direction | Description |
|--|-------------|-----------|---|
| 1 | VDD_24MHZ | Power | 1.8 V high-frequency oscillator supply |
| 2 | VDD_VCO | Power | 1.8 V VCO supply |
| 3 | RF_P | I/O | Differential (with RF_N) receiver input/transmitter output |
| 4 | RF_N | I/O | Differential (with RF_P) receiver input/transmitter output |
| 5 | VDD_RF | Power | 1.8 V RF supply (LNA and PA) |
| 6 | RF_TX_ALT_P | O | Differential (with RF_TX_ALT_N) transmitter output (optional) |
| 7 | RF_TX_ALT_N | O | Differential (with RF_TX_ALT_P) transmitter output (optional) |
| 8 | VDD_IF | Power | 1.8 V IF supply (mixers and filters) |
| 9 | NC | | Do not connect |
| 10 | VDD_PADSA | Power | Analog pad supply (1.8 V) |
| 11 | PC5 | I/O | Digital I/O |
| | TX_ACTIVE | O | Logic-level control for external RX/TX switch. The EM358x baseband controls TX_ACTIVE and drives it high (VDD_PADS) when in TX mode. Select alternate output function with GPIO_PCCFGH[7:4] |
| 12 | nRESET | I | Active low chip reset (internal pull-up) |
| 13 | PC6 | I/O | Digital I/O |
| | OSC32B | I/O | 32.768 kHz crystal oscillator Select analog function with GPIO_PCCFGH[11:8] |
| | nTX_ACTIVE | O | Inverted TX_ACTIVE signal (see PC5) Select alternate output function with GPIO_PCCFGH[11:8] |
| 14 | PC7 | I/O | Digital I/O |
| | OSC32A | I/O | 32.768 kHz crystal oscillator Select analog function with GPIO_PCCFGH[15:12] |
| | OSC32_EXT | I | Digital 32.768 kHz clock input source |
| 15 | VREG_OUT | Power | Regulator output (1.8 V while awake, 0 V during deep sleep) |
| 16 | VDD_PADS | Power | Pads supply (2.1–3.6 V) |
| 17 | VDD_CORE | Power | 1.25 V digital core supply decoupling |
| Note: 1. IRQC and IRQD external interrupts can be mapped to any digital I/O pin using the GPIO_IRQCSEL and GPIO_IRQDSEL registers. | | | |

Table 6.1. EM358x Pin Descriptions (Continued)

| Pin # | Signal | Direction | Description |
|--|-----------------------------|------------------------|--|
| 18 | PA7 | I/O High current | Digital I/O Disable REG_EN with GPIO_DBGCFG[4] |
| | TIM1C4 | O | Timer 1 Channel 4 output Enable timer output with TIM1_CCER Select alternate output function with GPIO_PACFGH[15:12] Disable REG_EN with GPIO_DBGCFG[4] |
| | TIM1C4 | I | Timer 1 Channel 4 input Cannot be remapped |
| | REG_EN | O | External regulator open drain output Enabled after reset |
| 19 | PB3 | I/O | Digital I/O |
| | TIM2C3 (see also Pin 22) | O | Timer 2 channel 3 output Enable remap with TIM2_OR[6] Enable timer output in TIM2_CCER Select alternate output function with GPIO_PBCFGL[15:12] |
| | TIM2C3 (see also Pin 22) | I | Timer 2 channel 3 input Enable remap with TIM2_OR[6] |
| | SC1nCTS | I | UART CTS handshake of Serial Controller 1 Enable with SC1_UARTCFG[5] Select UART with SC1_MODE |
| | SC1SCLK | O | SPI master clock of Serial Controller 1 Either disable timer output in TIM2_CCER, or disable remap with TIM2_OR[6] Enable master with SC1_SPICFG[4] Select SPI with SC1_MODE Select alternate output function with GPIO_PBCFGL[15:12] |
| | SC1SCLK | I | SPI slave clock of Serial Controller 1 Enable slave with SC1_SPICFG[4] Select SPI with SC1_MODE |
| Note: | | | |
| 1. IRQC and IRQD external interrupts can be mapped to any digital I/O pin using the GPIO_IRQCSEL and GPIO_IRQDSEL registers. | | | |

Table 6.1. EM358x Pin Descriptions (Continued)

| Pin # | Signal | Direction | Description |
|--|-----------------------------|-----------|--|
| 20 | PB4 | I/O | Digital I/O |
| | TIM2C4 (see also Pin 24) | O | Timer 2 channel 4 output Enable remap with TIM2_OR[7] Enable timer output in TIM2_CCER Select alternate output function with GPIO_PBCFGH[3:0] |
| | TIM2C4 (see also Pin 24) | I | Timer 2 channel 4 input Enable remap with TIM2_OR[7] |
| | SC1nRTS | O | UART RTS handshake of Serial Controller 1 Either disable timer output in TIM2_CCER, or disable remap with TIM2_OR[7] Enable with SC1_UARTCFG[5] Select UART with SC1_MODE Select alternate output function with GPIO_PBCFGH[3:0] |
| | SC1nSSEL | I | SPI slave select of Serial Controller 1 Enable slave with SC1_SPICFG[4] Select SPI with SC1_MODE |
| 21 | PA0 | I/O | Digital I/O |
| | USBDM (where applicable) | I/O | USB D- signal Select analog function with GPIO_PACFGL[3:0] |
| | TIM2C1 (see also Pin 30) | O | Timer 2 channel 1 output Disable remap with TIM2_OR[4] Enable timer output in TIM2_CCER Select alternate output function with GPIO_PACFGL[3:0] |
| | TIM2C1 (see also Pin 30) | I | Timer 2 channel 1 input Disable remap with TIM2_OR[4] |
| | SC2MOSI | O | SPI master data out of Serial Controller 2 Either disable timer output in TIM2_CCER, or enable remap with TIM2_OR[4] Enable master with SC2_SPICFG[4] Select SPI with SC2_MODE Select alternate output function with GPIO_PACFGL[3:0] |
| | SC2MOSI | I | SPI slave data in of Serial Controller 2 Enable slave with SC2_SPICFG[4] Select SPI with SC2_MODE |
| <p>Note:</p> <ol style="list-style-type: none"> 1. IRQC and IRQD external interrupts can be mapped to any digital I/O pin using the GPIO_IRQCSEL and GPIO_IRQDSEL registers. | | | |

Table 6.1. EM358x Pin Descriptions (Continued)

| Pin # | Signal | Direction | Description |
|--|-----------------------------|-----------|--|
| 22 | PA1 | I/O | Digital I/O |
| | USBDP (where applicable) | I/O | USB D+ signal Select analog function with GPIO_PACFGL[7:4] |
| | TIM2C3 (see also Pin 19) | O | Timer 2 channel 3 output Disable remap with TIM2_OR[6] Enable timer output in TIM2_CCER Select alternate output function with GPIO_PACFGL[7:4] |
| | TIM2C3 (see also Pin 19) | I | Timer 2 channel 3 input Disable remap with TIM2_OR[6] |
| | SC2SDA | I/O | TWI data of Serial Controller 2 Either disable timer output in TIM2_CCER, or enable remap with TIM2_OR[6] Select TWI with SC2_MODE Select alternate open-drain output function with GPIO_PACFGL[7:4] |
| | SC2MISO | O | SPI slave data out of Serial Controller 2 Either disable timer output in TIM2_CCER, or enable remap with TIM2_OR[6] Enable slave with SC2_SPICFG[4] Select SPI with SC2_MODE Select alternate output function with GPIO_PACFGL[7:4] |
| | SC2MISO | I | SPI master data in of Serial Controller 2 Enable slave with SC2_SPICFG[4] Select SPI with SC2_MODE |
| 23 | VDD_PADS | Power | Pads supply (2.1–3.6 V) |
| Note: 1. IRQC and IRQD external interrupts can be mapped to any digital I/O pin using the GPIO_IRQCSEL and GPIO_IRQDSEL registers. | | | |

Table 6.1. EM358x Pin Descriptions (Continued)

| Pin # | Signal | Direction | Description |
|--|-----------------------------|-----------|--|
| 24 | PA2 | I/O | Digital I/O |
| | TIM2C4 (see also Pin 20) | O | Timer 2 channel 4 output Disable remap with TIM2_OR[7] Enable timer output in TIM2_CCER Select alternate output function with GPIO_PACFGL[11:8] |
| | TIM2C4 (see also Pin 20) | I | Timer 2 channel 4 input Disable remap with TIM2_OR[7] |
| | SC2SCL | I/O | TWI clock of Serial Controller 2 Either disable timer output in TIM2_CCER, or enable remap with TIM2_OR[7] Select TWI with SC2_MODE Select alternate open-drain output function with GPIO_PACFGL[11:8] |
| | SC2SCLK | O | SPI master clock of Serial Controller 2 Either disable timer output in TIM2_CCER, or enable remap with TIM2_OR[7] Enable master with SC2_SPICFG[4] Select SPI with SC2_MODE Select alternate output function with GPIO_PACFGL[11:8] |
| | SC2SCLK | I | SPI slave clock of Serial Controller 2 Enable slave with SC2_SPICFG[4] Select SPI with SC2_MODE |
| 25 | PA3 | I/O | Digital I/O |
| | SC2nSSEL | I | SPI slave select of Serial Controller 2 Enable slave with SC2_SPICFG[4] Select SPI with SC2_MODE |
| | TIM2C2 (see also Pin 31) | O | Timer 2 channel 2 output Disable remap with TIM2_OR[5] Enable timer output in TIM2_CCER Select alternate output function with GPIO_PACFGL[15:12] |
| | TIM2C2 (see also Pin 31) | I | Timer 2 channel 2 input Disable remap with TIM2_OR[5] |
| <p>Note:</p> <ol style="list-style-type: none"> 1. IRQC and IRQD external interrupts can be mapped to any digital I/O pin using the GPIO_IRQCSEL and GPIO_IRQDSEL registers. | | | |

Table 6.1. EM358x Pin Descriptions (Continued)

| Pin # | Signal | Direction | Description |
|--|---------------------------------|---------------------|---|
| 26 | PA4 | I/O | Digital I/O |
| | ADC4 | Analog | ADC Input 4 Select analog function with GPIO_PACFGH[3:0] |
| | PTI_EN | O | Frame signal of Packet Trace Interface (PTI) Disable trace interface in ARM core Enable PTI in Ember software Select alternate output function with GPIO_PACFGH[3:0] |
| | TRACEDATA2 (see also Pin 36) | O | Synchronous CPU trace data bit 2 Select 4-wire synchronous trace interface in ARM core Enable trace interface in ARM core Select alternate output function with GPIO_PACFGH[3:0] |
| 27 | PA5 | I/O | Digital I/O |
| | ADC5 | Analog | ADC Input 5 Select analog function with GPIO_PACFGH[7:4] |
| | PTI_DATA | O | Data signal of Packet Trace Interface (PTI) Disable trace interface in ARM core Enable PTI in Ember software Select alternate output function with GPIO_PACFGH[7:4] |
| | nBOOTMODE | I | Activate FIB monitor instead of main program or bootloader when coming out of reset. Signal is active during and immediately after a reset on nRESET. Refer to section 7.5, Boot Configuration, in Chapter 7, GPIO, of the <i>Ember EM358x Reference Manual</i> for details. |
| | TRACEDATA3 (see also Pin 38) | O | Synchronous CPU trace data bit 3 Select 4-wire synchronous trace interface in ARM core Enable trace interface in ARM core Select alternate output function with GPIO_PACFGH[7:4] |
| 28 | VDD_PADS | Power | Pads supply (2.1–3.6 V) |
| 29 | PA6 | I/O High current | Digital I/O |
| | TIM1C3 | O | Timer 1 channel 3 output Enable timer output in TIM1_CCER Select alternate output function with GPIO_PACFGH[11:8] |
| | TIM1C3 | I | Timer 1 channel 3 input Cannot be remapped |
| Note: | | | |
| 1. IRQC and IRQD external interrupts can be mapped to any digital I/O pin using the GPIO_IRQCSEL and GPIO_IRQDSEL registers. | | | |

Table 6.1. EM358x Pin Descriptions (Continued)

| Pin # | Signal | Direction | Description |
|--|-----------------------------|-----------|--|
| 30 | PB1 | I/O | Digital I/O |
| | SC1MISO | O | SPI slave data out of Serial Controller 1 Either disable timer output in TIM2_CCER, or disable remap with TIM2_OR[4] Select SPI with SC1_MODE Select slave with SC1_SPICFG Select alternate output function with GPIO_PBCFGL[7:4] |
| | SC1MOSI | O | SPI master data out of Serial Controller 1 Either disable timer output in TIM2_CCER, or disable remap with TIM2_OR[4] Select SPI with SC1_MODE Select master with SC1_SPICFG Select alternate output function with GPIO_PBCFGL[7:4] |
| | SC1SDA | I/O | TWI data of Serial Controller 1 Either disable timer output in TIM2_CCER, or disable remap with TIM2_OR[4] Select TWI with SC1_MODE Select alternate open-drain output function with GPIO_PBCFGL[7:4] |
| | SC1TXD | O | UART transmit data of Serial Controller 1 Either disable timer output in TIM2_CCER, or disable remap with TIM2_OR[4] Select UART with SC1_MODE Select alternate output function with GPIO_PBCFGL[7:4] |
| | TIM2C1 (see also Pin 21) | O | Timer 2 channel 1 output Enable remap with TIM2_OR[4] Enable timer output in TIM2_CCER Select alternate output function with GPIO_PACFGL[7:4] |
| | TIM2C1 (see also Pin 21) | I | Timer 2 channel 1 input Disable remap with TIM2_OR[4] |
| Note: | | | |
| 1. IRQC and IRQD external interrupts can be mapped to any digital I/O pin using the GPIO_IRQCSEL and GPIO_IRQDSEL registers. | | | |

Table 6.1. EM358x Pin Descriptions (Continued)

| Pin # | Signal | Direction | Description |
|--|-----------------------------|-----------|---|
| 31 | PB2 | I/O | Digital I/O |
| | SC1MISO | I | SPI master data in of Serial Controller 1 Select SPI with SC1_MODE Select master with SC1_SPICFG |
| | SC1MOSI | I | SPI slave data in of Serial Controller 1 Select SPI with SC1_MODE Select slave with SC1_SPICFG |
| | SC1SCL | I/O | TWI clock of Serial Controller 1 Either disable timer output in TIM2_CCER, or disable remap with TIM2_OR[5] Select TWI with SC1_MODE Select alternate open-drain output function with GPIO_PBCFGL[11:8] |
| | SC1RXD | I | UART receive data of Serial Controller 1 Select UART with SC1_MODE |
| | TIM2C2 (see also Pin 25) | O | Timer 2 channel 2 output Enable remap with TIM2_OR[5] Enable timer output in TIM2_CCER Select alternate output function with GPIO_PBCFGL[11:8] |
| | TIM2C2 (see also Pin 25) | I | Timer 2 channel 2 input Enable remap with TIM2_OR[5] |
| 32 | SWCLK | I/O | Serial Wire clock input/output with debugger Selected when in Serial Wire mode (see JTMS description, Pin 35) |
| | JTCK | I | JTAG clock input from debugger Selected when in JTAG mode (default mode, see JTMS description, Pin 35) Internal pull-down is enabled |
| Note: | | | |
| 1. IRQC and IRQD external interrupts can be mapped to any digital I/O pin using the GPIO_IRQCSEL and GPIO_IRQDSEL registers. | | | |

Table 6.1. EM358x Pin Descriptions (Continued)

| Pin # | Signal | Direction | Description |
|--|------------|-----------|---|
| 33 | PC2 | I/O | Digital I/O Enable with GPIO_DBGCFG[5] and GPIO_PCCFGH[1] clear |
| | JTDO | O | JTAG data out to debugger Selected when in JTAG mode (default mode, see JTMS description, Pin 35) |
| | SWO | O | Serial Wire Output asynchronous trace output to debugger Select asynchronous trace interface in ARM core Enable trace interface in ARM core Select alternate output function with GPIO_PCCFGL[11:8] Enable Serial Wire mode (see JTMS description, Pin 35) Internal pull-up is enabled |
| | TRACEDATA0 | O | Synchronous CPU trace data bit 3 Select 4-wire synchronous trace interface in ARM core Enable trace interface in ARM core Select alternate output function with GPIO_PACFGL[11:8] |
| 34 | PC3 | I/O | Digital I/O Either Enable with GPIO_DBGCFG[5], or enable Serial Wire mode (see JTMS description) |
| | JTDI | I | JTAG data in from debugger Selected when in JTAG mode (default mode, see JTMS description, Pin 35) Internal pull-up is enabled |
| | TRACECLK | O | Synchronous CPU trace clock Enable trace interface in ARM core Select alternate output function with GPIO_PCCFGL[15:12] |
| 35 | PC4 | I/O | Digital I/O Enable with GPIO_DBGCFG[5] |
| | JTMS | I | JTAG mode select from debugger Selected when in JTAG mode (default mode) JTAG mode is enabled after power-up or by forcing nRESET low Select Serial Wire mode using the ARM-defined protocol through a debugger Internal pull-up is enabled |
| | SWDIO | I/O | Serial Wire bidirectional data to/from debugger Enable Serial Wire mode (see JTMS description) Select Serial Wire mode using the ARM-defined protocol through a debugger Internal pull-up is enabled |
| Note: 1. IRQC and IRQD external interrupts can be mapped to any digital I/O pin using the GPIO_IRQCSEL and GPIO_IRQDSEL registers. | | | |

Table 6.1. EM358x Pin Descriptions (Continued)

| Pin # | Signal | Direction | Description |
|--|---------------------------------|------------------------|---|
| 36 | PB0 | I/O | Digital I/O |
| | VREF | Analog O | ADC reference output Enable analog function with GPIO_PBCFGL[3:0] |
| | VREF | Analog I | ADC reference input Enable analog function with GPIO_PBCFGL[3:0] Enable reference output with an Ember system function |
| | IRQA | I | External interrupt source A |
| | TRACEDATA2 (see also Pin 26) | O | Synchronous CPU trace data bit 2 Select 4-wire synchronous trace interface in ARM core Enable trace interface in ARM core Select alternate output function with GPIO_PBCFGL[3:0] |
| | TIM1CLK | I | Timer 1 external clock input |
| | TIM2MSK | I | Timer 2 external clock mask input |
| 37 | VDD_PADS | Power | Pads supply (2.1–3.6 V) |
| 38 | PC1 | I/O | Digital I/O |
| | ADC3 | Analog | ADC Input 3 Enable analog function with GPIO_PCCFGL[7:4] |
| | TRACEDATA3 (see also Pin 27) | O | Synchronous CPU trace data bit 3 Select 1-, 2- or 4-wire synchronous trace interface in ARM core Enable trace interface in ARM core Select alternate output function with GPIO_PCCFGL[7:4] |
| 39 | VDD_MEM | Power | 1.8 V supply (flash, RAM) |
| 40 | PC0 | I/O High current | Digital I/O Either enable with GPIO_DBGCFG[5], or enable Serial Wire mode (see JTMS description, Pin 35) and disable TRACEDATA1 |
| | JRST | I | JTAG reset input from debugger Selected when in JTAG mode (default mode, see JTMS description) and TRACEDATA1 is disabled Internal pull-up is enabled |
| | IRQD ¹ | I | Default external interrupt source D. |
| | TRACEDATA1 | O | Synchronous CPU trace data bit 1 Select 2- or 4-wire synchronous trace interface in ARM core Enable trace interface in ARM core Select alternate output function with GPIO_PCCFGL[3:0] |
| Note: | | | |
| 1. IRQC and IRQD external interrupts can be mapped to any digital I/O pin using the GPIO_IRQCSEL and GPIO_IRQDSEL registers. | | | |

Table 6.1. EM358x Pin Descriptions (Continued)

| Pin # | Signal | Direction | Description |
|--|-------------------|------------------------|--|
| 41 | PB7 | I/O High current | Digital I/O |
| | ADC2 | Analog | ADC Input 2 Enable analog function with GPIO_PBCFGH[15:12] |
| | IRQC ¹ | I | Default external interrupt source C. |
| | TIM1C2 | O | Timer 1 channel 2 output Enable timer output in TIM1_CCER Select alternate output function with GPIO_PBCFGH[15:12] |
| | TIM1C2 | I | Timer 1 channel 2 input Cannot be remapped |
| 42 | PB6 | I/O High current | Digital I/O |
| | ADC1 | Analog | ADC Input 1 Enable analog function with GPIO_PBCFGH[11:8] |
| | IRQB | I | External interrupt source B |
| | TIM1C1 | O | Timer 1 channel 1 output Enable timer output in TIM1_CCER Select alternate output function with GPIO_PBCFGH[11:8] |
| | TIM1C1 | I | Timer 1 channel 1 input Cannot be remapped |
| 43 | PB5 | I/O | Digital I/O |
| | ADC0 | Analog | ADC Input 0 Enable analog function with GPIO_PBCFGH[7:4] |
| | TIM2CLK | I | Timer 2 external clock input |
| | TIM1MSK | I | Timer 1 external clock mask input |
| 44 | VDD_CORE | Power | 1.25 V digital core supply decoupling |
| 45 | VDD_PRE | Power | 1.8 V prescaler supply |
| 46 | VDD_SYNTH | Power | 1.8 V synthesizer supply |
| 47 | OSCB | I/O | 24 MHz crystal oscillator or left open when using external clock input on OSCA |
| <p>Note:</p> <ol style="list-style-type: none"> 1. IRQC and IRQD external interrupts can be mapped to any digital I/O pin using the GPIO_IRQCSEL and GPIO_IRQDSEL registers. | | | |

Table 6.1. EM358x Pin Descriptions (Continued)

| Pin # | Signal | Direction | Description |
|-------|--------|-----------|---|
| 48 | OSCA | I/O | 24 MHz crystal oscillator or external clock input. (An external clock input should only be used for test and debug purposes. If used in this manner, the external clock input should be a 1.8 V, 50% duty cycle, square wave.) |
| 49 | GND | Ground | Ground supply pad in the bottom center of the package forms Pin 49. See the various Ember <i>EM358x Reference Design</i> documentation for PCB considerations. |

Note:

1. IRQC and IRQD external interrupts can be mapped to any digital I/O pin using the GPIO_IRQCSEL and GPIO_IRQDSEL registers.

Not Recommended for New Designs

EM358x

6.1. Mechanical Details

The EM358x package is a plastic 48-pin QFN that is 7 mm x 7 mm x 0.90 mm. Figure 6.2 illustrates the package drawing.

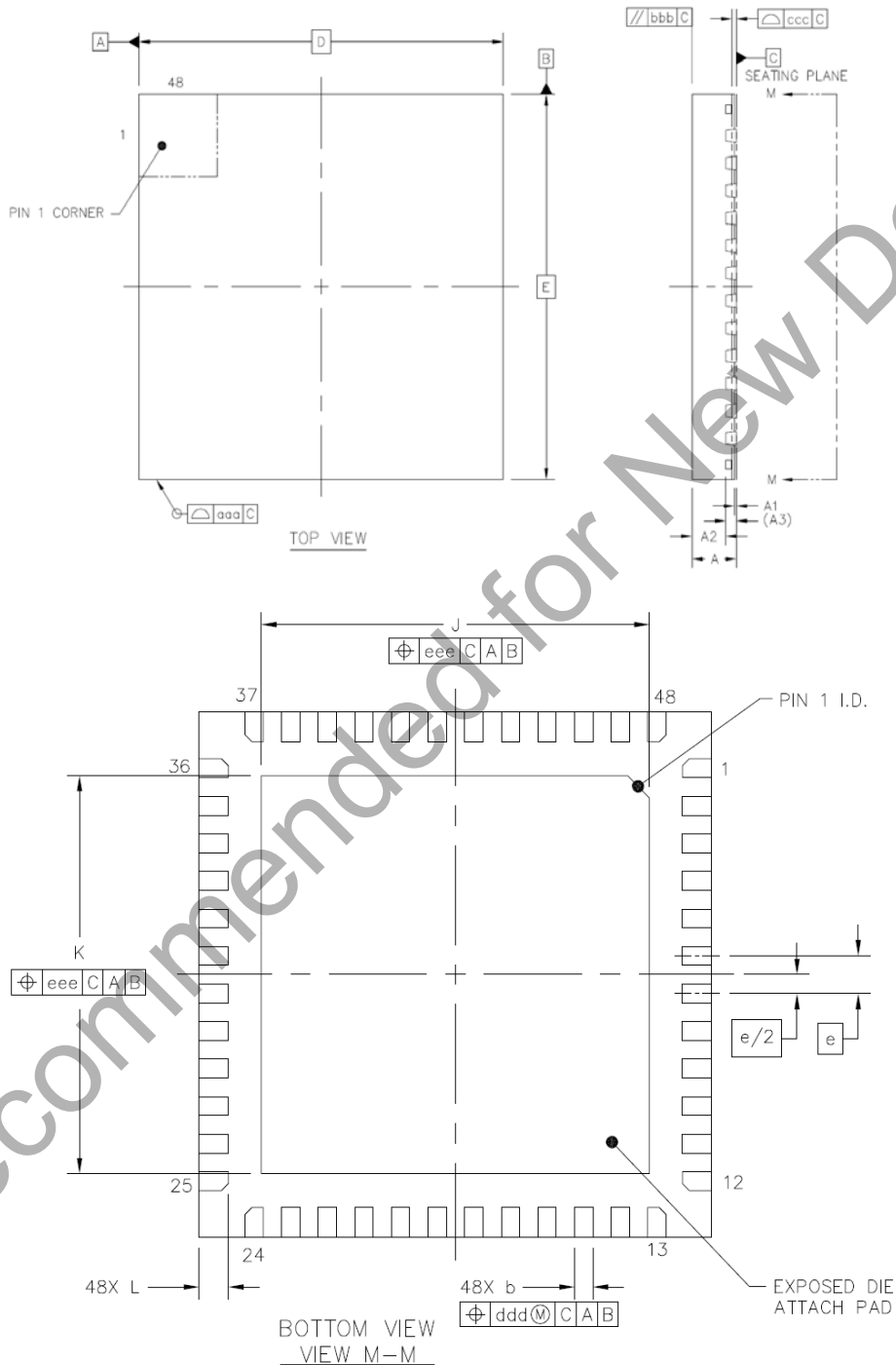


Figure 6.2. Package Drawing

Table 6.2. Package Dimensions

| Dimension | Min | Nom | Max |
|---|-----------|-------|------|
| A | 0.80 | 0.85 | 0.90 |
| A1 | 0 | 0.035 | 0.05 |
| A2 | — | 0.65 | 0.67 |
| A3 | 0.203 REF | | |
| b | 0.2 | 0.25 | 0.3 |
| D | 7 BSC | | |
| E | 7 BSC | | |
| e | 0.5 BSC | | |
| J | 5.2 | 5.3 | 5.4 |
| K | 5.2 | 5.3 | 5.4 |
| L | 0.35 | 0.40 | 0.45 |
| aaa | 0.10 | | |
| bbb | 0.1 | | |
| ccc | 0.08 | | |
| ddd | 0.1 | | |
| eee | 0.1 | | |
| Notes: | | | |
| <ol style="list-style-type: none"> 1. All dimensions shown are in millimeters (mm) unless otherwise noted. 2. Dimensioning and Tolerancing per ANSI Y14.5M-1994. 3. This drawing conforms to the JEDEC Solid State Outline MO-220, Variation VKKD-4. 4. Recommended card reflow profile is per the JEDEC/IPC J-STD-020 specification for Small Body Components. | | | |

EM358x

6.1.1. QFN48 Footprint Recommendations

Figure 6.3 demonstrates the IPC-7351 recommended PCB Footprint for the EM358x (QFN50P700X700X90-49N). A ground pad in the bottom center of the package forms a 49th pin.

A 3 x 3 array of non-thermal vias should connect the EM358x decal center shown in Figure 6.3 to the PCB ground plane through the ground pad. In order to properly solder the EM358x to the footprint, the Paste Mask layer should have a 3 x 3 array of circular openings at 1.015 mm diameter spaced approximately 1.625 mm (center to center) apart, as shown in Figure 6.4. This will cause an evenly distributed solder flow and coplanar attachment to the PCB. The solder mask layer (illustrated in Figure 6.5) should be the same as the copper layer for the EM358x footprint.

For more information on the package footprint, please refer to the appropriate *EM358x Reference Design*.

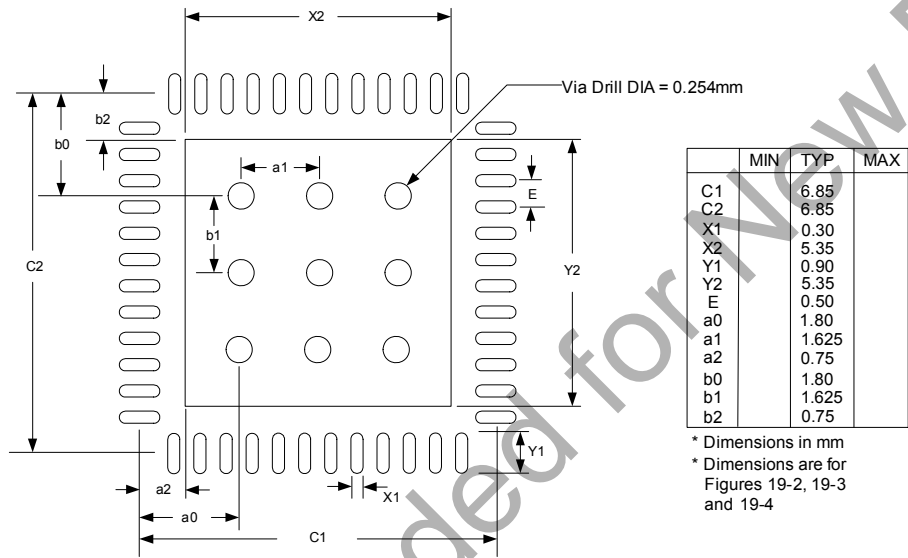


Figure 6.3. PCB Footprint for the EM358x

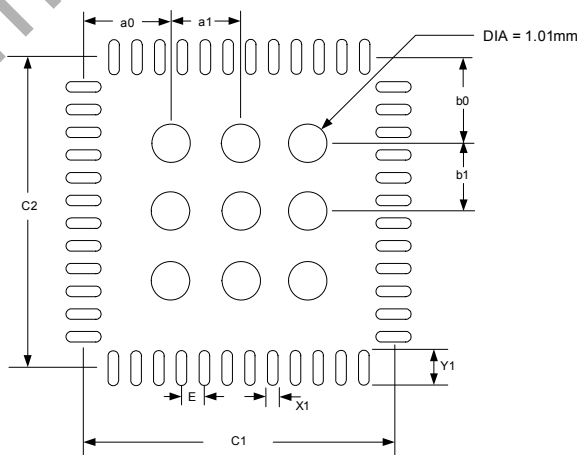


Figure 6.4. Paste Mask

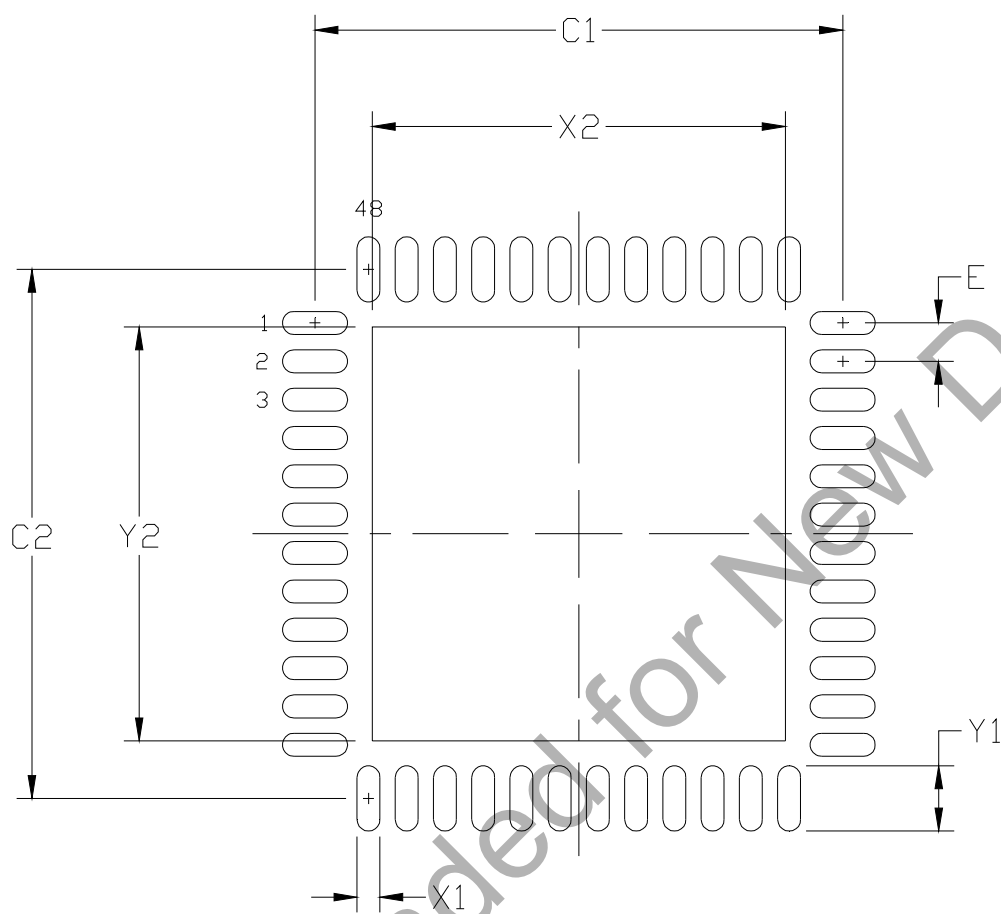


Figure 6.5. Solder Mask Dimensions

Table 6.3. PCB Land Pattern

| Dimension | Min | Max |
|-----------|----------|------|
| C1 | 6.80 | 6.90 |
| C2 | 6.80 | 6.90 |
| E | 0.50 BSC | |
| X1 | 0.20 | 0.30 |
| X2 | 5.20 | 5.40 |
| Y1 | 0.75 | 0.85 |
| Y2 | 5.20 | 5.40 |

Notes:

General

1. All dimensions shown are in millimeters (mm) unless otherwise noted.
2. This Land Pattern Design is based on the IPC-7351 guidelines.

Solder Mask Design

1. All metal pads are to be non-solder mask defined (NSMD). Clearance between the solder mask and the metal pad is to be 60mm minimum, all the way around the pad.

Stencil Design

1. A stainless steel, laser-cut and electro-polished stencil with trapezoidal walls should be used to assure good solder paste release.
2. The stencil thickness should be 0.125 mm (5 mils).
3. The ratio of stencil aperture to land pad size should be 1:1 for all perimeter pads.
4. A 4x4 array of 1.1 mm square openings on 1.3 mm pitch should be used for the center ground pad.

Card Assembly

1. A No-Clean, Type-3 solder paste is recommended.
2. The recommended card reflow profile is per the JEDEC/IPC J-STD-020C specification for Small Body Components.

6.1.2. Solder Temperature Profile

Figure 6-6 illustrates the solder temperature profile for the EM358x. This temperature profile is similar for other RoHS compliant packages, but manufacturing lines should be programmed with this profile in order to guarantee proper solder connection to the PCB.

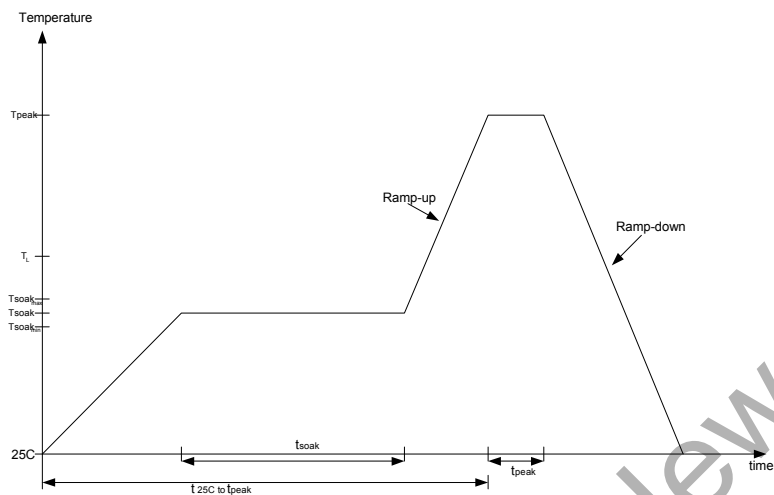


Figure 6.6. EM358x Reflow Profile

EM358x

Table 6.4 contains the temperature profile parameters.

Table 6.4. Solder Reflow Parameters

| Parameter | Value |
|---|--------------------|
| Average Ramp Up Rate (from Tsoakmax to Tpeak) | 3°C per second max |
| Minimum Soak Temperature (Tsoakmin) | 150°C |
| Maximum Soak Temperature (Tsoakmax) | 200°C |
| TL | 217°C |
| Time above TL | 60 – 150 seconds |
| Tpeak | 260 + 0°C |
| Time within 5°C of Tpeak | 20 – 40 seconds |
| Ramp Down Rate | 6°C per second max |
| Time from 25°C to Tpeak | 8 minutes, max |

6.2. Part Marking

Figure 6.7 shows the part marking for the EM358x Series. The circle in the top corner indicates Pin 1. Pins are numbered counter-clockwise from Pin 1 with 12 pins per package edge.

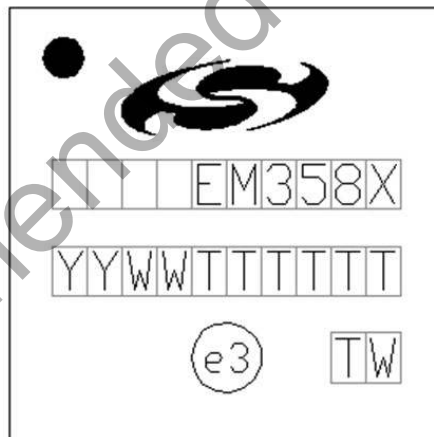


Figure 6.7. Part Marking for EM358x

Table 6.5. 48-Pin QFN Top Marking Explanation

| | | |
|------------------------|---|---|
| Mark Method: | Laser | |
| Pin 1 Marking: | Circle = 0.40 mm Diameter (Top-Left Justified) | |
| Line 1 Marking: | Device Part Number Right Justified | EM358x EM358x is the Orderable Part Number variant (EM3581/2/5/6/7/8) |

Table 6.5. 48-Pin QFN Top Marking Explanation

| | | |
|------------------------|--|---|
| Line 2 Marking: | TTTTTT = Mfg Code YY=Year WW-Work Week | Manufacturing Code from the Assembly Purchase form. Assigned by the Assembly House. Corresponds to the year and work week. Right Justified |
| Line 3 Marking: | Circle = 1.3 mm Diameter Center Justified Country of Origin ISO abbreviation Right Justified | “e3” indicates Lead-Free terminal finish TW |

Not Recommended for New Designs

DOCUMENT CHANGE LIST

Revision 0.1 to Revision 0.2

- Some information moved to new Ember EM358x Reference Manual
- Typical application circuit updated (chapter 2)

Revision 0.2 to Revision 0.3

- Complete review of data sheet to reflect change of part numbering to EM358x and introducing variants.

Revision 0.3 to Revision 0.4

- Addition of EM3587 variant
- Correction of some references to EM358
- Addition of Part Marking section.

Revision 0.4 to Revision 1.0

- Update to 1.0 with characterization data for Full Production

Revision 1.0 to Revision 1.1

- Updated Ordering Information.

Not Recommended for New Designs

Smart. Connected. Energy-Friendly.



IoT Portfolio
www.silabs.com/products



Quality
www.silabs.com/quality



Support & Community
www.silabs.com/community

Disclaimer

Silicon Labs intends to provide customers with the latest, accurate, and in-depth documentation of all peripherals and modules available for system and software implementers using or intending to use the Silicon Labs products. Characterization data, available modules and peripherals, memory sizes and memory addresses refer to each specific device, and “Typical” parameters provided can and do vary in different applications. Application examples described herein are for illustrative purposes only. Silicon Labs reserves the right to make changes without further notice to the product information, specifications, and descriptions herein, and does not give warranties as to the accuracy or completeness of the included information. Without prior notification, Silicon Labs may update product firmware during the manufacturing process for security or reliability reasons. Such changes will not alter the specifications or the performance of the product. Silicon Labs shall have no liability for the consequences of use of the information supplied in this document. This document does not imply or expressly grant any license to design or fabricate any integrated circuits. The products are not designed or authorized to be used within any FDA Class III devices, applications for which FDA premarket approval is required or Life Support Systems without the specific written consent of Silicon Labs. A “Life Support System” is any product or system intended to support or sustain life and/or health, which, if it fails, can be reasonably expected to result in significant personal injury or death. Silicon Labs products are not designed or authorized for military applications. Silicon Labs products shall under no circumstances be used in weapons of mass destruction including (but not limited to) nuclear, biological or chemical weapons, or missiles capable of delivering such weapons. Silicon Labs disclaims all express and implied warranties and shall not be responsible or liable for any injuries or damages related to use of a Silicon Labs product in such unauthorized applications.

Note: This content may contain offensive terminology that is now obsolete. Silicon Labs is replacing these terms with inclusive language wherever possible. For more information, visit www.silabs.com/about-us/inclusive-lexicon-project

Trademark Information

Silicon Laboratories Inc.®, Silicon Laboratories®, Silicon Labs®, SiLabs® and the Silicon Labs logo®, Bluegiga®, Bluegiga Logo®, EFM®, EFM32®, EFR, Ember®, Energy Micro, Energy Micro logo and combinations thereof, “the world’s most energy friendly microcontrollers”, Redpine Signals®, WiSeConnect®, n-Link, ThreadArch®, EZLink®, EZRadio®, EZRadioPRO®, Gecko®, Gecko OS, Gecko OS Studio, Precision32®, Simplicity Studio®, Telegesis, the Telegesis Logo®, USBXpress®, Zentri, the Zentri logo and Zentri DMS, Z-Wave®, and others are trademarks or registered trademarks of Silicon Labs. ARM, CORTEX, Cortex-M3 and THUMB are trademarks or registered trademarks of ARM Holdings. Keil is a registered trademark of ARM Limited. Wi-Fi is a registered trademark of the Wi-Fi Alliance. All other products or brand names mentioned herein are trademarks of their respective holders.



Silicon Laboratories Inc.
400 West Cesar Chavez
Austin, TX 78701
USA

www.silabs.com