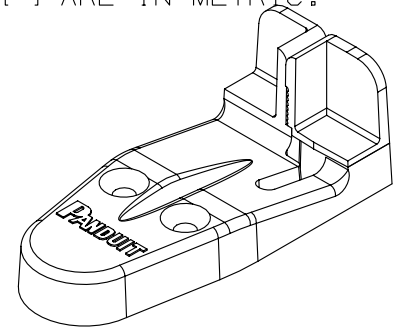
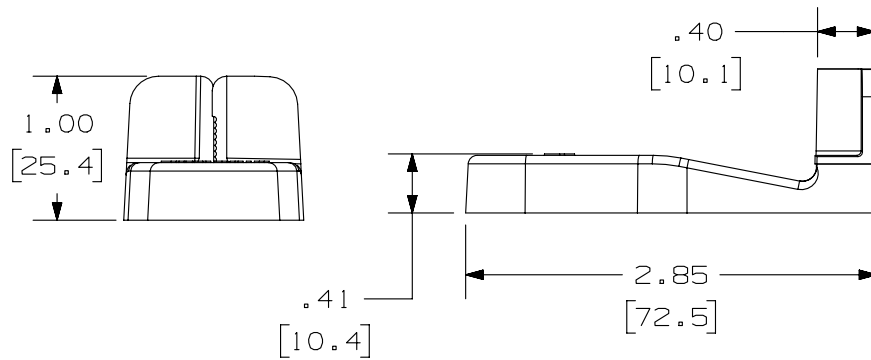
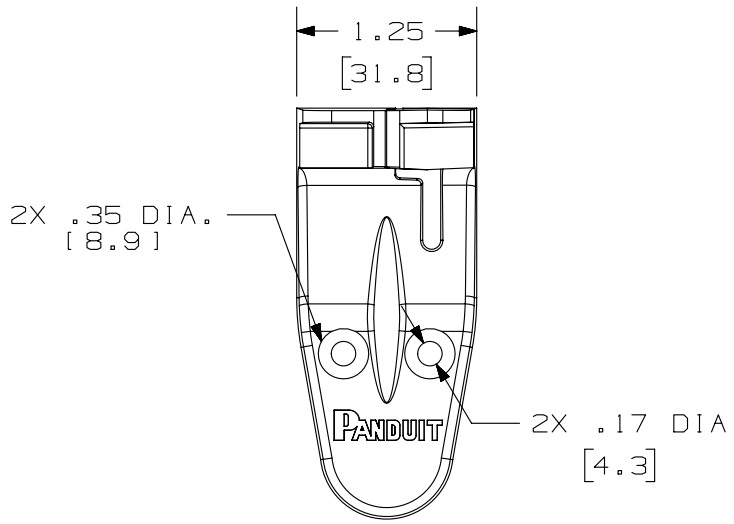


THIS COPY IS PROVIDED ON A RESTRICTED BASIS AND IS NOT TO BE USED IN ANY WAY DETRIMENTAL TO THE INTERESTS OF PANDUIT CORP.



PANDUIT P/N	WEIGHT
WPT-8	.26 LB/10 PCS. (118 G/10 PCS.)

NOTES:

- SEE CURRENT CATALOG FOR ADDITIONAL PART NUMBER SUFFIXES TO INDICATE PACKAGE QUANTITY.
- SEE CATALOG FOR COMPLETE LIST OF PARTS APPLICABLE FOR USE WITH THIS PART.
- USED TO PREPARE 24 AWG COPPER CONDUCTORS FOR PLUG TERMINATION.
- THIS TOOL IS USED WITH THE MP588-L OR MP588-M. USED TO HELP HOLD THE WIRES FOR EASIER FEED THROUGH INTO MODULAR PLUG.
- DIMENSIONS IN [ ] ARE IN METRIC.

PART NUMBER		WPT-8	
TITLE			
WIRE PREPERATION TOOL			
CUSTOMER DRAWING			
ITEM REVISION NAME		D35558BH/00	
DATASET FILE NAME		D35558BH_DC_HTDRAFT/00A	
UNLESS OTHERWISE SPECIFIED, DIMENSIONAL TOLERANCES ARE: IN [ mm ]		MATERIAL:	
.X ± .xxx ± .010 [ .3 ]		ABS	
.xx ± .03 [ .8 ]		DRAWING NUMBER:	
THIRD ANGLE PROJECTION		35558-08	
DRAWN BY	DATE	CHK	SCALE
JBA	7-03-97	CEF	NONE
SHT 1 OF 1		A	

REV	DATE	BY	CHK	APR	DESCRIPTION	ECN
1	5/21/14	JSP	REFR	EJH	A. REVISED DRAWING TITLE BLOCK.	35558-08
R	7-03-97	JBA	CEF	CEF	RELEASED TO PRODUCTION	35558-08

D10100DA/14