

## FEATURES

- Able to be used at wide temperature from -25°C to +70°C
- Long life Endurance : 1,000 hours at +70°C
- RoHS directive compliant / No Explosion Safety

## APPLICATIONS

- Memory back-up for Video, Audio, Cameras, CCTV, Printer, Camcorder, Telephones, Car stereo, E-meter, Toy, Computer, Notebook PC, Rice cooker, Home network etc.

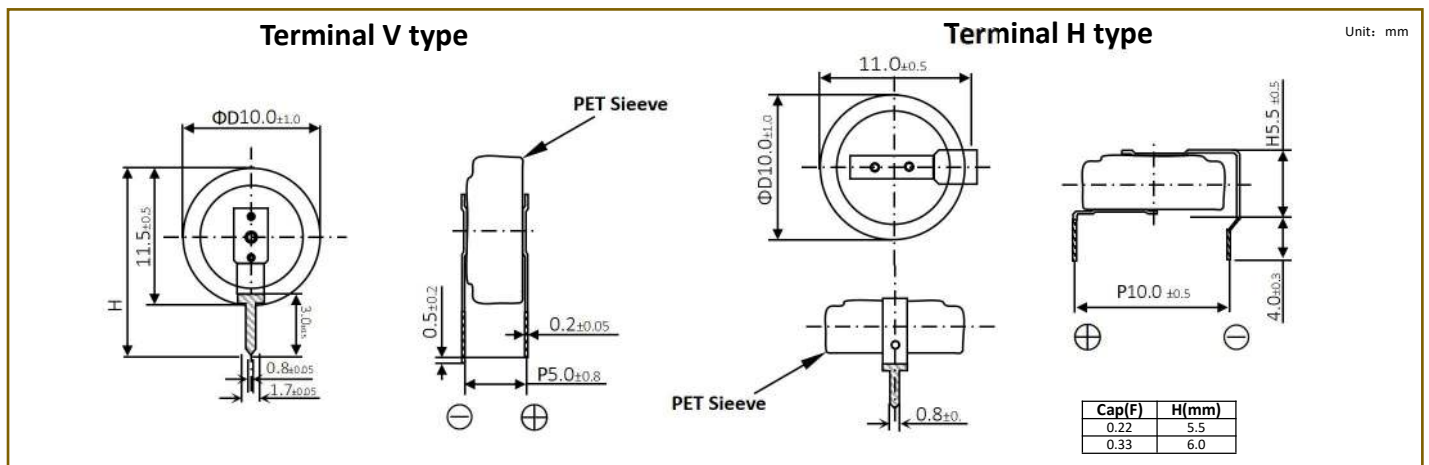


## PART NUMBER SYSTEM

|            |               |             |          |          |              |
|------------|---------------|-------------|----------|----------|--------------|
| <b>CBS</b> | <b>5R5</b>    | <b>224</b>  | <b>H</b> | <b>F</b> | <b>*</b>     |
| Series     | Rated Voltage | Capacitance | Type     | RoHS     | Special Code |

## GENERAL SPECIFICATIONS / DIMENSIONS

| Item  | Performance  |      |      |
|---|--|------|------|
| Operating temperature                                 | -25°C to +70°C   |      |      |
| Capacitance range                                     | 0.22F to 0.33F   |      |      |
| Capacitance tolerance                                 | - 20% to + 80% (at 25°C)   |      |      |
| Rated voltage   | 5.5 VDC  |      |      |
| Nominal capacitance & Resistance                      | Nominal capacitance (F)  | 0.22 | 0.33 |
|   | Nominal resistance (Ω)   | 75   | 75   |
| Temperature characteristics                           | Capacitance change: Within ±30% of initial measured value at +25°C(-25 to +70°C)<br>Internal resistance: Within ±500% of initial measured value at +25°C(at -25°C) |      |      |
| Endurance<br>(At rated voltage & max. operating temp) | After 1000 hours:<br>Capacitance change: ±30% of initial rated value<br>Internal resistance: Within 4 times of initial specified value                             |      |      |
| Shelf life  | After 2 years at 25°C without load, the capacitor shall meet the specified endurance limits.   |      |      |



## STANDARD PRODUCTS

| Part Number     | Working Voltage (V DC) | Rated Cap. (F) | Internal resistance (Ω) at 1 kHz | V type(mm) |      |     | H type(mm) |     |      |
|-----------------|------------------------|----------------|----------------------------------|------------|------|-----|------------|-----|------|
|                 |                        |                |                                  | ΦD         | H    | P   | ΦD         | H   | P    |
| CBS 5R5 224 ( ) | 5.5                    | 0.22           | ≤75                              | 10         | 14.0 | 5.0 | 10         | 5.5 | 10.0 |
| CBS 5R5 334 ( ) | 5.5                    | 0.33           | ≤75                              | 10         | 14.0 | 5.0 | 10         | 6.0 | 10.0 |