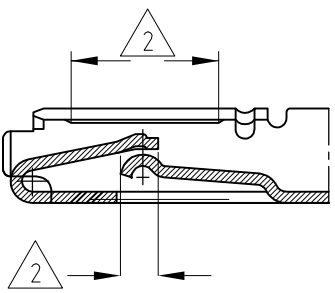
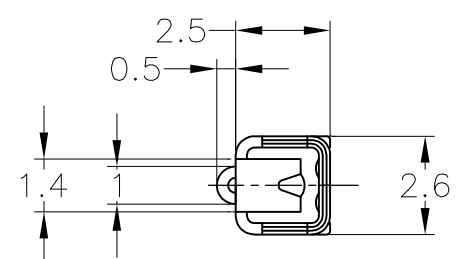


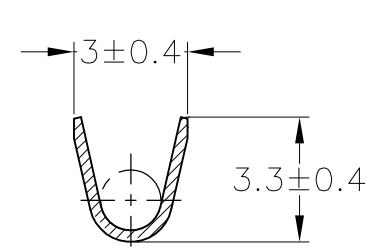
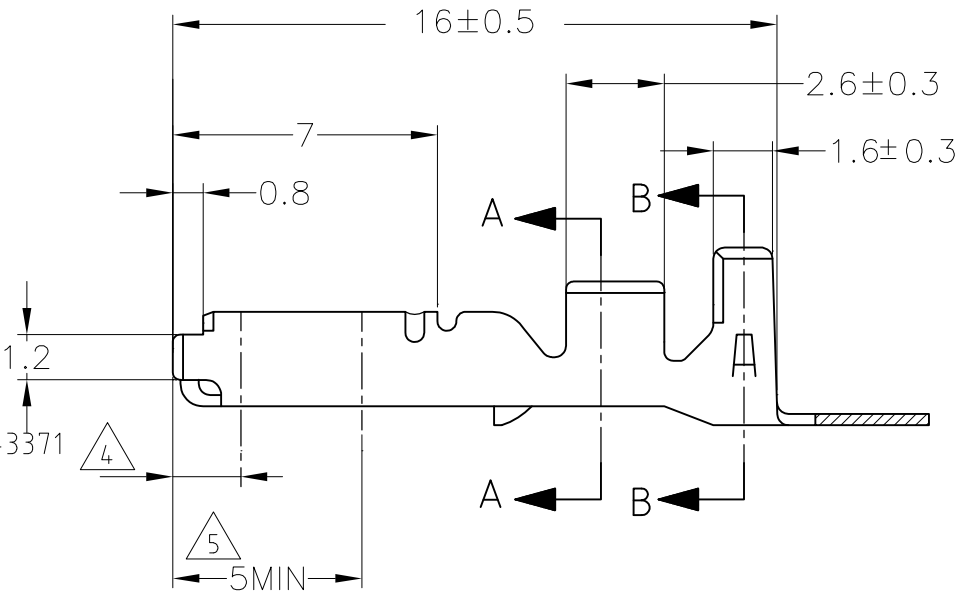
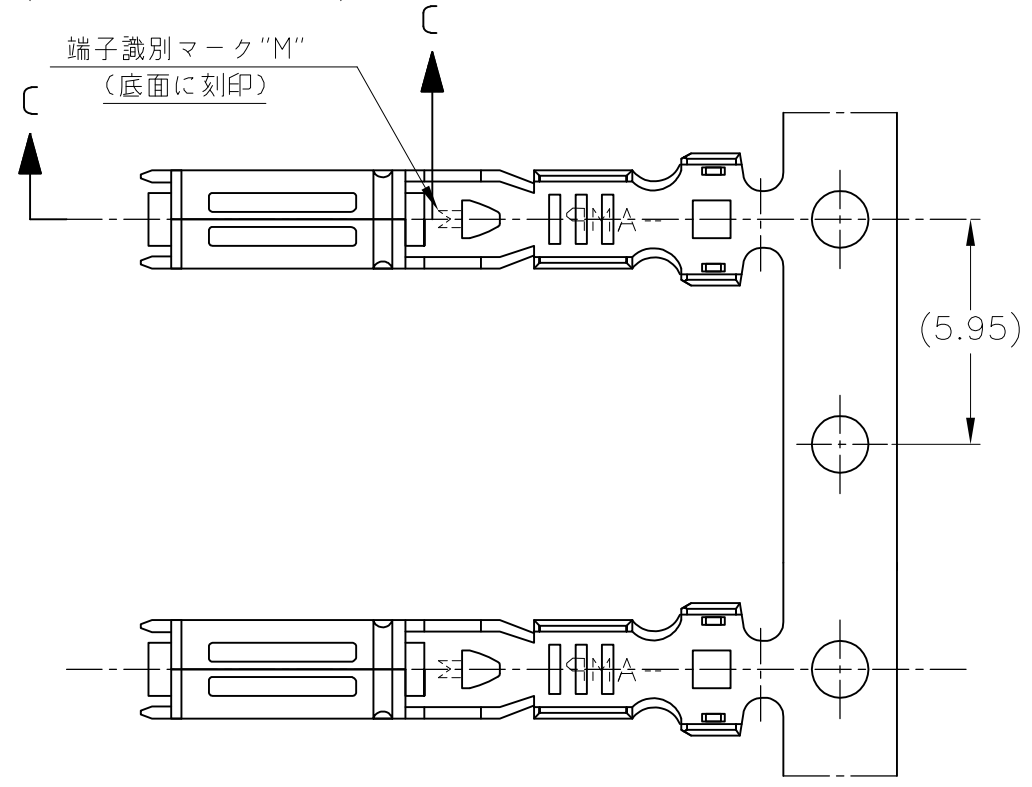
WIRE RANGE ID MARK
("M" SIZE MARK)
(STAMPED ON BOTTOM)

端子識別マーク "M"
(底面に刻印)

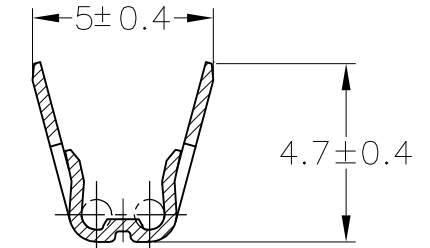
| REVISIONS 変更 | | | | | |
|-----------------|-----|-------------|---------------|-----------|-------|
| P | LTR | DESCRIPTION | DATE | DWN | APVD |
| | F1 | REVISED | ECR-19-018615 | 17JUL2020 | DM HK |



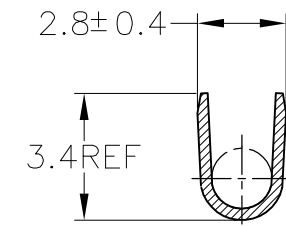
断面 C-C
SECT C-C



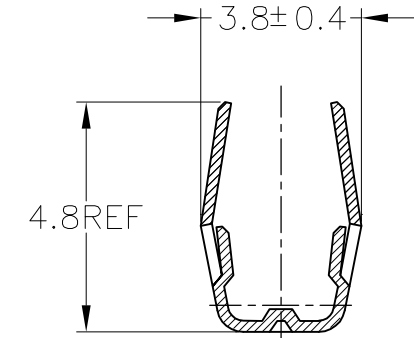
断面 A-A
SECT A-A



断面 B-B
SECT B-B



断面 A-A
SECT A-A
(175027のみ適用)
(ONLY 175027)



断面 B-B
SECT B-B
(175027のみ適用)
(ONLY 175027)

- 1. 製品規格; 108-5216, 108-5231, 108-5264, 108-3371
- 2. 部分金めっき
- 3. 取付適用規格; 114-5091
- 4. 識別用金めっき (全周)
- 5. 部分金めっき (両側のみ)

- 1. SPEC; 108-5216, 108-5231, 108-5264, 108-3371
- 2. SELECTIVE GOLD PLATING
- 3. APPLICATION SPEC; 114-5091
- 4. GOLD PLATING FOR DISCERNMENT (ALL AROUND)
- 5. SELECTIVE GOLD PLATING (ONLY BOTH SIDES OF THE BOX)

| TOLERANCE UNLESS OTHERWISE SPECIFIED: 一般公差 | |
|---|-------|
| 0 < x ≤ 10 | ±0.2 |
| 10 < x ≤ 30 | ±0.25 |
| 30 < x ≤ 100 | ±0.3 |
| ANGLE | ±3° |

| DIMENSIONS: 単位: 耗 mm | | TOLERANCES UNLESS OTHERWISE SPECIFIED: 一般公差 | |
|----------------------------|---|--|---|
| 0 PLC | ± | 0 PLC | ± |
| 1 PLC | ± | 1 PLC | ± |
| 2 PLC | ± | 2 PLC | ± |
| 3 PLC | ± | 3 PLC | ± |
| 4 PLC | ± | 4 PLC | ± |
| ANGLES | ± | ANGLES | ± |
| MATERIAL 材料 | | FINISH 仕上 | |
| SEE TABLE | | SEE TABLE | |

| | |
|---|-----------------------------|
| WIRE RANGE 0.5~1.25mm ² (AWG#20-#16) | INSULATION DIA. 2~2.6mmφ |
|---|-----------------------------|

| Part No. | Finish | Material | Part No. |
|----------------------|--------------------------|--------------------------------|-------------------|
| 175027-7 | 部分金めっき SELECTIVE GOLD | 黄銅 板厚0.3 BRASS ±0.3 | 1-173631-2 |
| SEE DRAWING 173631-8 | | | |
| 175027-6 | 錫めっき済み PRE-TINNED | リン青銅 板厚0.3 PHOS BRO. ±0.3 | 173631-7 |
| 175027-2 | 部分金めっき SELECTIVE GOLD | 銅合金 板厚0.3 COPPER ALLOY ±0.3 | 173631-6 |
| 175027-1 | 錫めっき済み PRE-TINNED | 黄銅 板厚0.3 BRASS ±0.3 | 173631-2 |
| 175027-1 | 錫めっき済み PRE-TINNED | 黄銅 板厚0.3 BRASS ±0.3 | 173631-1 |
| パラ端子型番 L/P NUMBER | 仕上 FINISH | 材料 MATERIAL | 型番 PART NUMBER |

THIS DRAWING IS A CONTROLLED DOCUMENT.

| | | |
|------------------|-------------|------------|
| DWN | M.SUGAWARA | 12MAY06 |
| CHK | T.SHINOHARA | 12MAY06 |
| APVD | K.BETSUI | 12MAY06 |
| PRODUCT SPEC | 製品規格 | SEE NOTE 1 |
| APPLICATION SPEC | 取付適用規格 | SEE NOTE 3 |
| WEIGHT | - | |



070 SERIES RECEPTACLE CONTACT

| | | | |
|------|-----------|------------------|---------------|
| SIZE | CAGE CODE | DRAWING NO 番号 | RESTRICTED TO |
| A3 | 00779 | C-173631 | - |