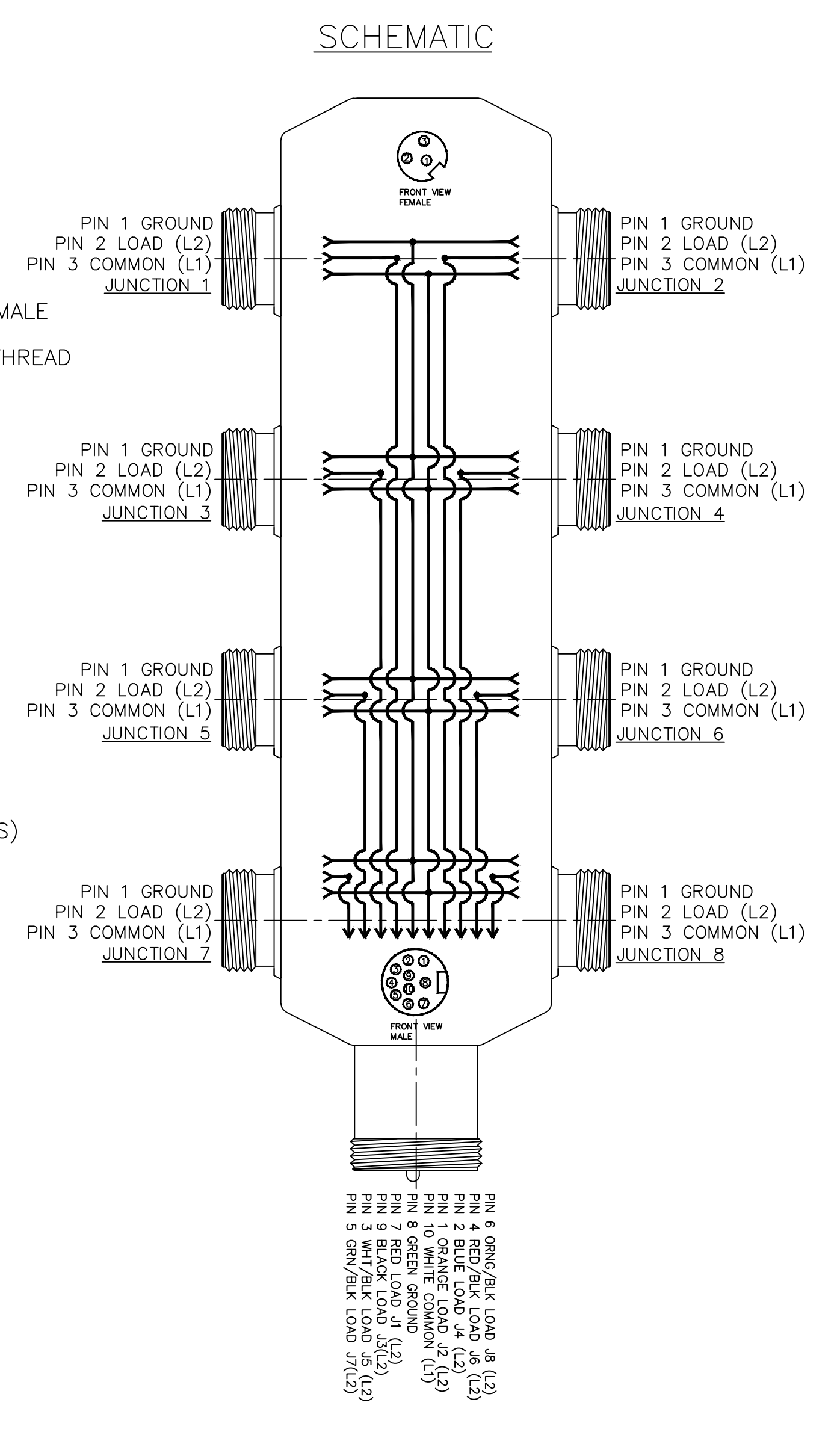
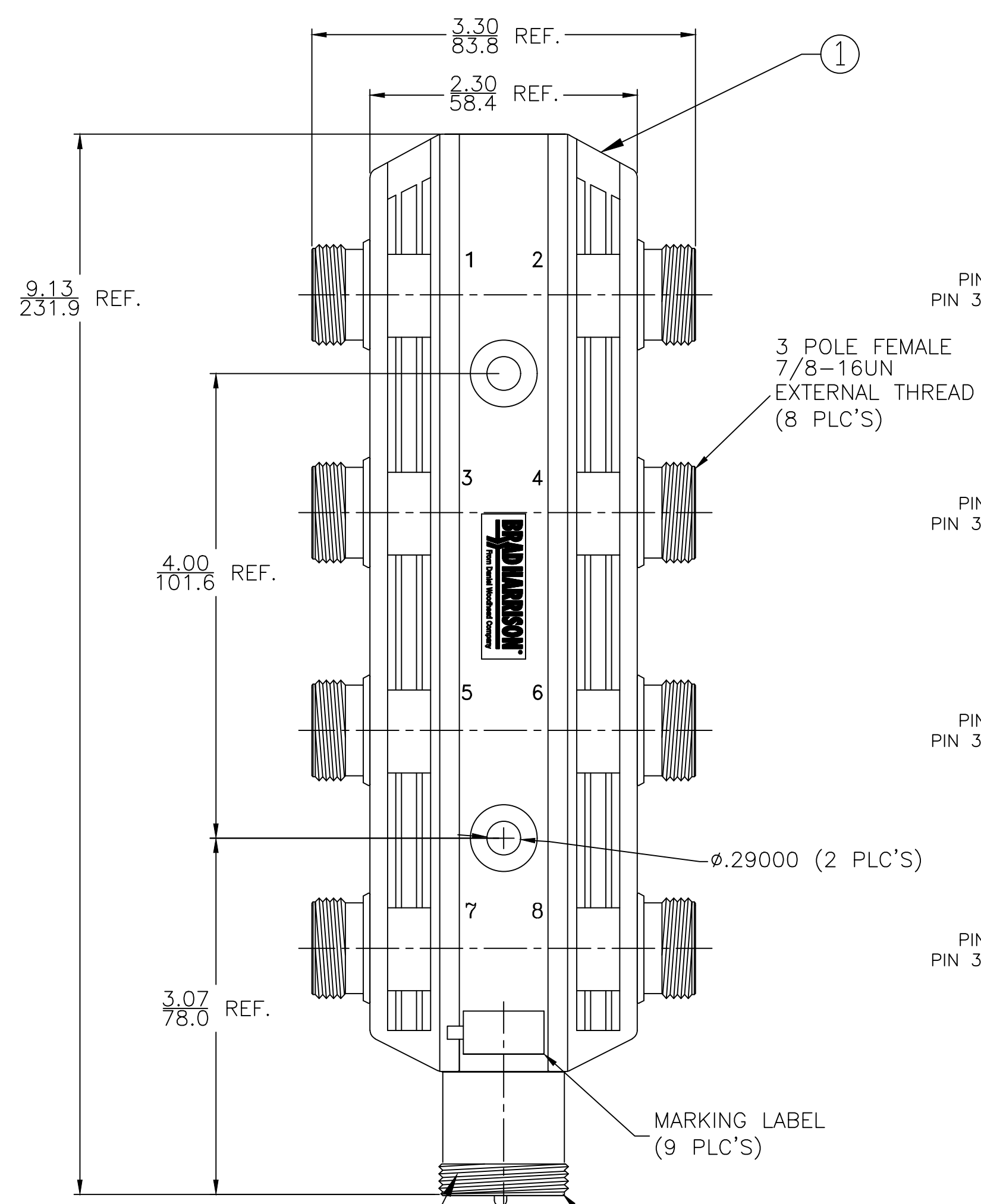
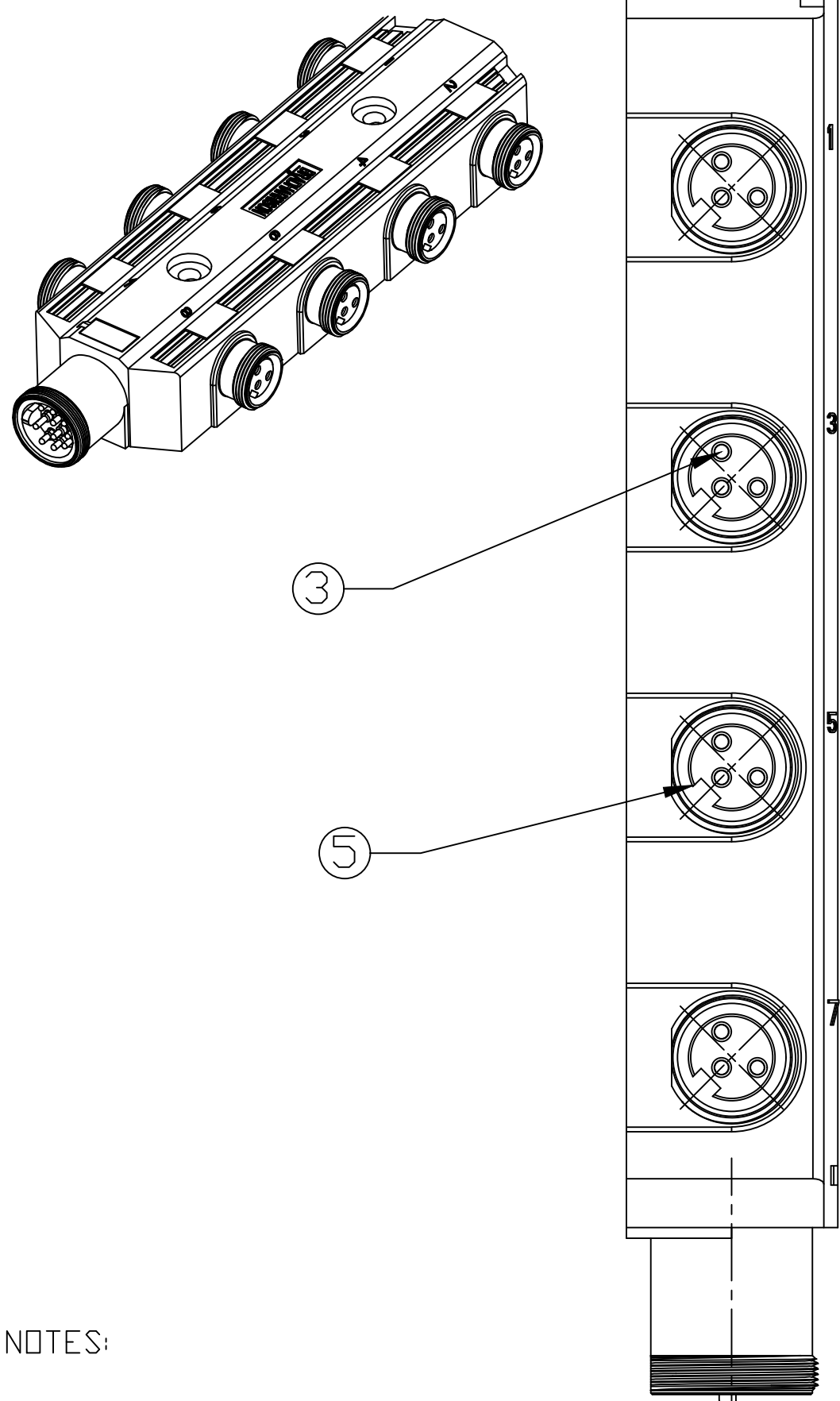


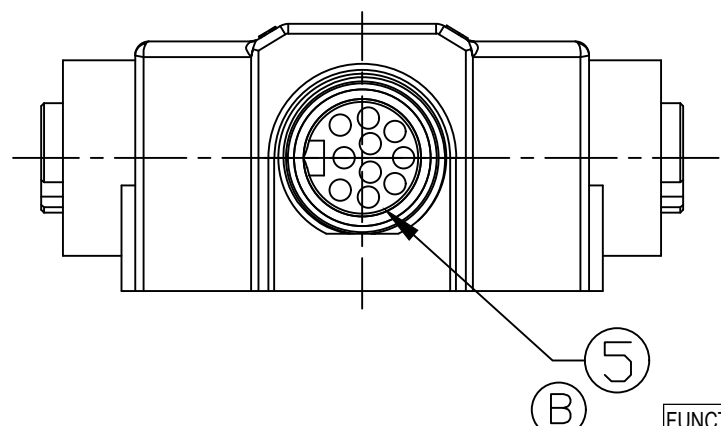
MATERIAL NUMBER	ENGINEERING NUMBER
1300600017	409P801



NOTES:

- 1) MATERIAL: SEE TABLE
- 2) FINISHES: SEE TABLE
- 3) ELECTRICAL DATA:  
VOLTAGE: 600V AC/DC  
AMPERAGE: 7AMPS PER MPIS UNIT
- 4) ENVIRONMENTAL:  
PROTECTION IP67  
OPERATING TEMPERATURE RANGE: -25C TO 90C
- 5) LABEL IS MARKED WITH P/N, DATE CODE, AND SCHEMATIC
- 6) CERTIFICATION:  
UL: UL RECOGNIZED  
CSA: CSA CERTIFIED

ITEM	DESCRIPTION	MATERIAL	FINISH
5	INSERT	PVC	YELLOW
4	PIN CONTACT	COPPER ALLOY	GOLD PLATED
3	SOCKET CONTACT	COPPER ALLOY	GOLD PLATED
2	RECEPTACLE SHELL	E-COATED ZINC ALLOY	BLACK
1	HOUSING	PBT	YELLOW



FUNCTIONAL SYMBOLS				THIS DRAWING CONTAINS INFORMATION THAT IS PROPRIETARY TO MOLEX ELECTRONIC TECHNOLOGIES, LLC AND SHOULD NOT BE USED WITHOUT WRITTEN PERMISSION			
DIMENSION UNITS		SCALE		CURRENT REV DESC: CORRECT KEY ORIENTATION OF INSERT 5			
INCH/MM		1:1		EC NO: 726639			
GENERAL TOLERANCES (UNLESS SPECIFIED)				DRWN: SAMB12 2022/10/24			
mm		INCH		CHK'D: RSTONE 2022/10/31			
4 PLACES ±----		±----		APPR: BWOODMAN 2022/11/01			
3 PLACES ±----		±----		INITIAL REVISION:			
2 PLACES ±----		±----		DRWN: TWOLDEGE 2010/01/22			
1 PLACE ±----		±----		APPR: JFMURPHY 2010/01/29			
0 PLACES ±----		±----		ANGULAR TOL ± ---- °			
DIVISIONAL SYMBOLS				DRAFT WHERE APPLICABLE MUST REMAIN WITHIN DIMENSIONS			
THIRD ANGLE PROJECTION		DRAWING		SERIES		MATERIAL NUMBER	
C-SIZE		130060		1300600017		CUSTOMER	
GENERAL MARKET		1 OF 1		SD-130060-004		PSD 001 B	
DOCUMENT NUMBER				DOC TYPE/DOC PART/REVISION			
SD-130060-004				PSD 001 B			

**molex**

8PORT SIDE MOUNT MPIS  
8PORT 3-POLE FEMALE W/ 10P MALE HOME RUN CONN.

PRODUCT CUSTOMER DRAWING