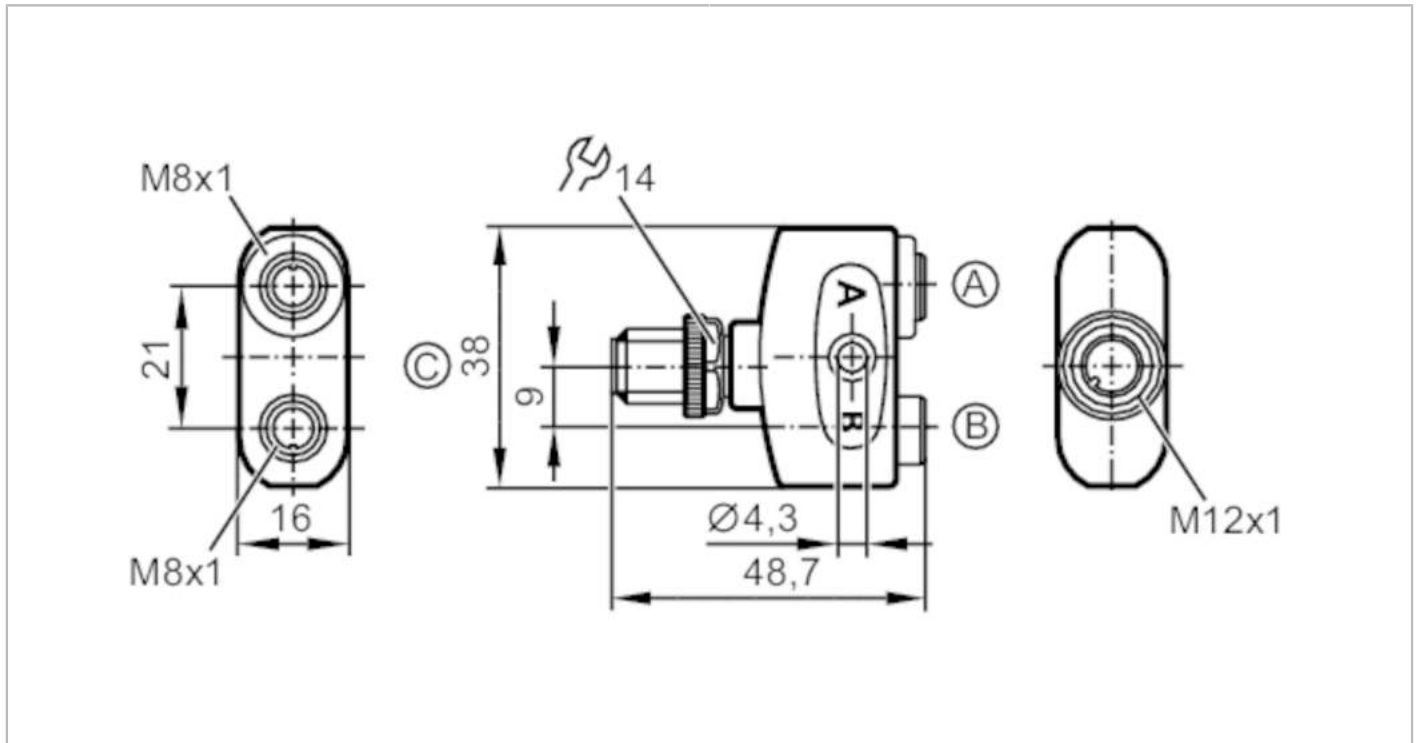


# EBC112



## Y-splitter

ZDO2F030MSS0000-00STGH040MSS



Application		
Special feature	Free from silicone; Gold-plated contacts	
Free from silicone	yes	
Electrical data		
Operating voltage [V]	< 50 AC / < 60 DC; (cULus: 30 AC / 42 DC)	
Protection class	III	
Max. current load total [A]	3	
Operating conditions		
Ambient temperature [°C]	-25...90	
Note on ambient temperature	cULus: ...65 °C	
Protection	IP 65; IP 67; IP 68; IP 69K	
Tests / approvals		
UL approval	power supply	Class 2
	File number UL	E191684
Mechanical data		
Weight [g]	30.2	
Materials	housing: PA orange; Sealing: FKM	
Material nut	brass, nickel-plated	
Remarks		
Pack quantity	1 pcs.	
Electrical connection - plug		
Connector: 1 x M12; coding: A; Locking: brass, nickel-plated; Contacts: gold-plated; Tightening torque: 0.6...1.5 Nm		



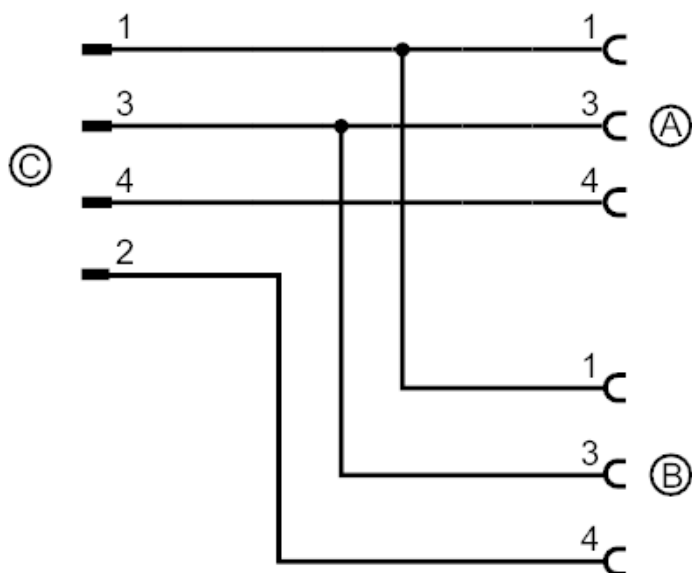
## Y-splitter

ZDO2F030MSS0000-00STGH040MSS



### Electrical connection

#### Connection



### Electrical connection - socket

Connector: 2 x M8; coding: A; Locking: brass, nickel-plated; Contacts: gold-plated; Tightening torque: 0.3...0.5 Nm

