

MATERIALS AND FINISHES

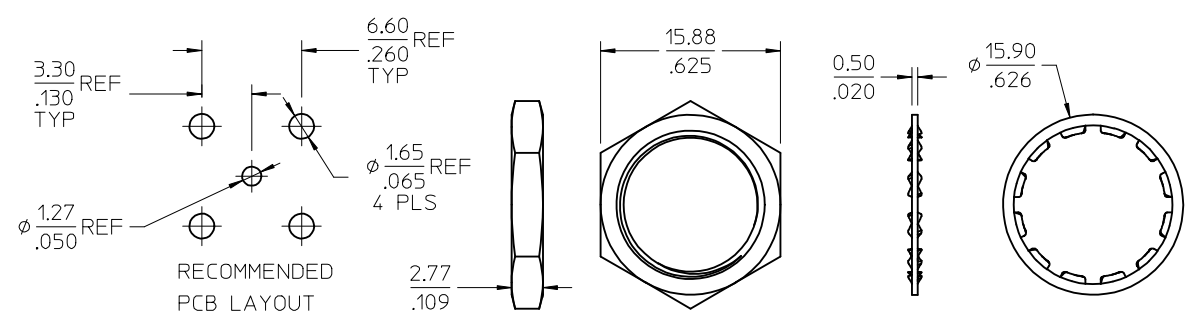
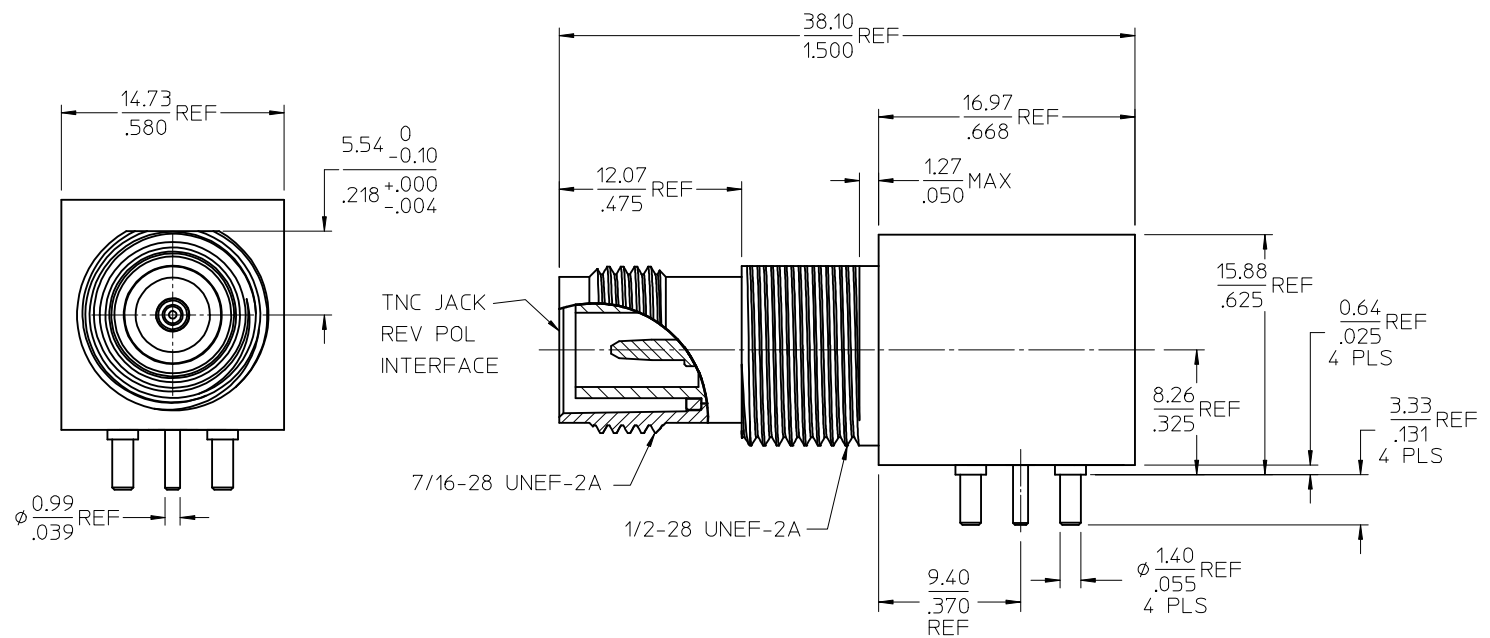
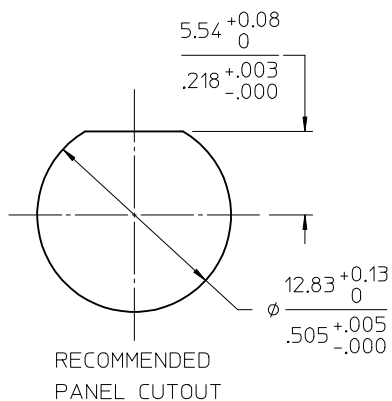
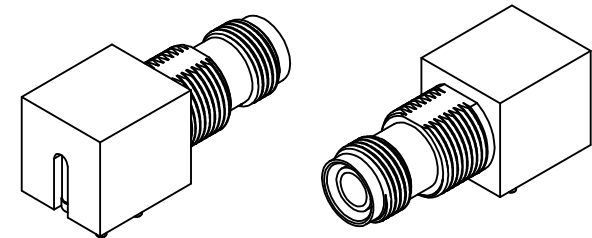
BODY, JAM NUT: BRASS
PLATED: NICKEL

CENTER CONTACT: BRASS
PLATED: GOLD

INSULATOR: TEFLON

POSTS: BRASS
PLATED: TIN

LOCKWASHER: PHOS. BRONZE
PLATED: NICKEL



73216-1502	73216-1500 WITH ALL HARDWARE INCLUDED
73216-1501	73216-1500, ONE PER BAG
73216-1500	TRAY (NO HARDWARE)
PART NO.	PACKAGING

CHG: 73216-1500 PKG TRAY WAS BULK PER RF15-E002	EC NO: URF2016-0259 DRW: CWE102 2016/01/04 CHKD: APPR: YCHENG	2016/01/07
DESCRIPTION		
A2		

QUALITY SYMBOLS																
GENERAL TOLERANCES (UNLESS SPECIFIED)	<table border="1"> <tr> <th></th> <th>mm</th> <th>INCH</th> </tr> <tr> <td>4 PLACES</td> <td>± .15</td> <td>± .005</td> </tr> <tr> <td>3 PLACES</td> <td>± .10</td> <td>± .004</td> </tr> <tr> <td>2 PLACES</td> <td>± .075</td> <td>± .003</td> </tr> <tr> <td>1 PLACE</td> <td>± .050</td> <td>± .002</td> </tr> </table>		mm	INCH	4 PLACES	± .15	± .005	3 PLACES	± .10	± .004	2 PLACES	± .075	± .003	1 PLACE	± .050	± .002
	mm	INCH														
4 PLACES	± .15	± .005														
3 PLACES	± .10	± .004														
2 PLACES	± .075	± .003														
1 PLACE	± .050	± .002														
ANGULAR ± 2°																
DRAFT WHERE APPLICABLE MUST REMAIN WITHIN DIMENSIONS																

DIMENSION STYLE		MM/IN
DRAWN BY	DATE	SSS 2005/01/18
CHECKED BY	DATE	TEF 2005/01/18
APPROVED BY	DATE	JDW 2005/01/18
MATERIAL NO.	DOCUMENT NO.	SEE TABLE SD-73216-150
SIZE	THIS DRAWING CONTAINS INFORMATION THAT IS PROPRIETARY TO MOLEX INCORPORATED AND SHOULD NOT BE USED WITHOUT WRITTEN PERMISSION	

SCALE		DESIGN UNITS	THIRD ANGLE PROJECTION
		METRIC	
TITLE			
TNC JACK, R/A, REV POL 50 OHMS, PCB, BLKHD EWR2697 TNC-J/PCB/BLKHD			
MOLEX MOLEX INCORPORATED			

SHEET NO.		1 OF 1
-----------	--	--------