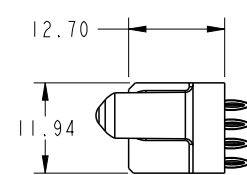
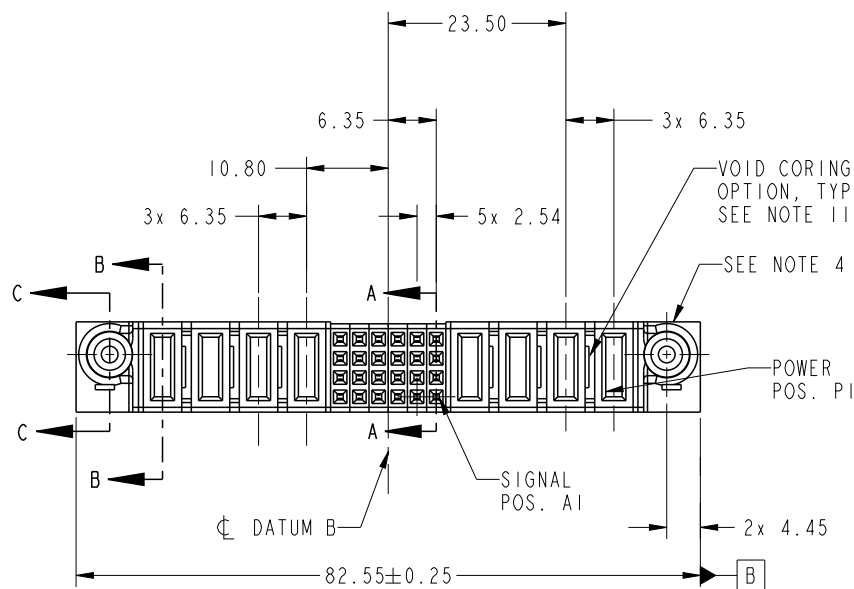


PRODUCT NO. 51940-562LH-- NOTE: 3	ROWS D C B A	POWER				SIGNAL					POWER							
		E2	P8	P7	P6	P5	6	5	4	3	2	1	P4	P3	P2	P1	E1	
			PC	PC	PC	PC	F	F	F	F	F	F	F	F	F	F	F	



CODE	DIM "M" MATING LENGTH	CONTACT TYPE
PC	[1.07]	POWER
F	[N/A]	SIGNAL

spec ref	*	dr	Ruan MT	2014/12/18	projection	MM	size	A4	scale	1:1
tolerance std	TOLERANCES UNLESS OTHERWISE SPECIFIED	eng	Ruan MT	2015/01/19			ecn no	-		
SEE NOTE		chr	-	-	product family	PwrBlade	rel level	Released		
surface	linear	appr	Pei-Ming Zheng	2015/01/19	title	4P + 24S + 4P VERTICAL PF RECEPT	dwg no	51940-562LH	rev	A
	angular	www.fci.com	cat. no.	*	Product - Customer Drw	sheet 1 of 4				

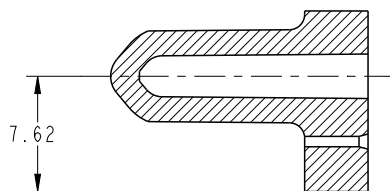
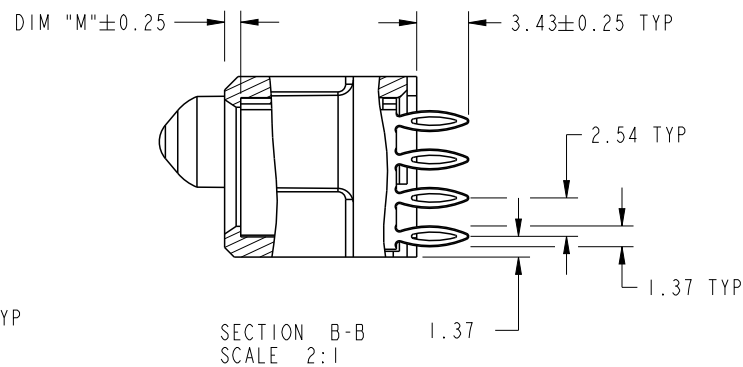
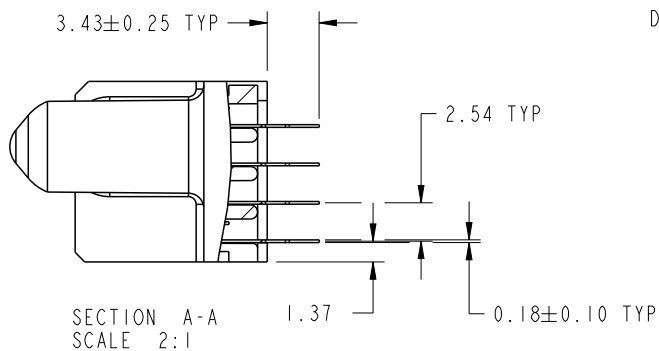


Copyright FCI.

Prod File - REV C - 2009-06-09

PRODUCT NUMBER

51940-562LH\_  
NOTE: 3



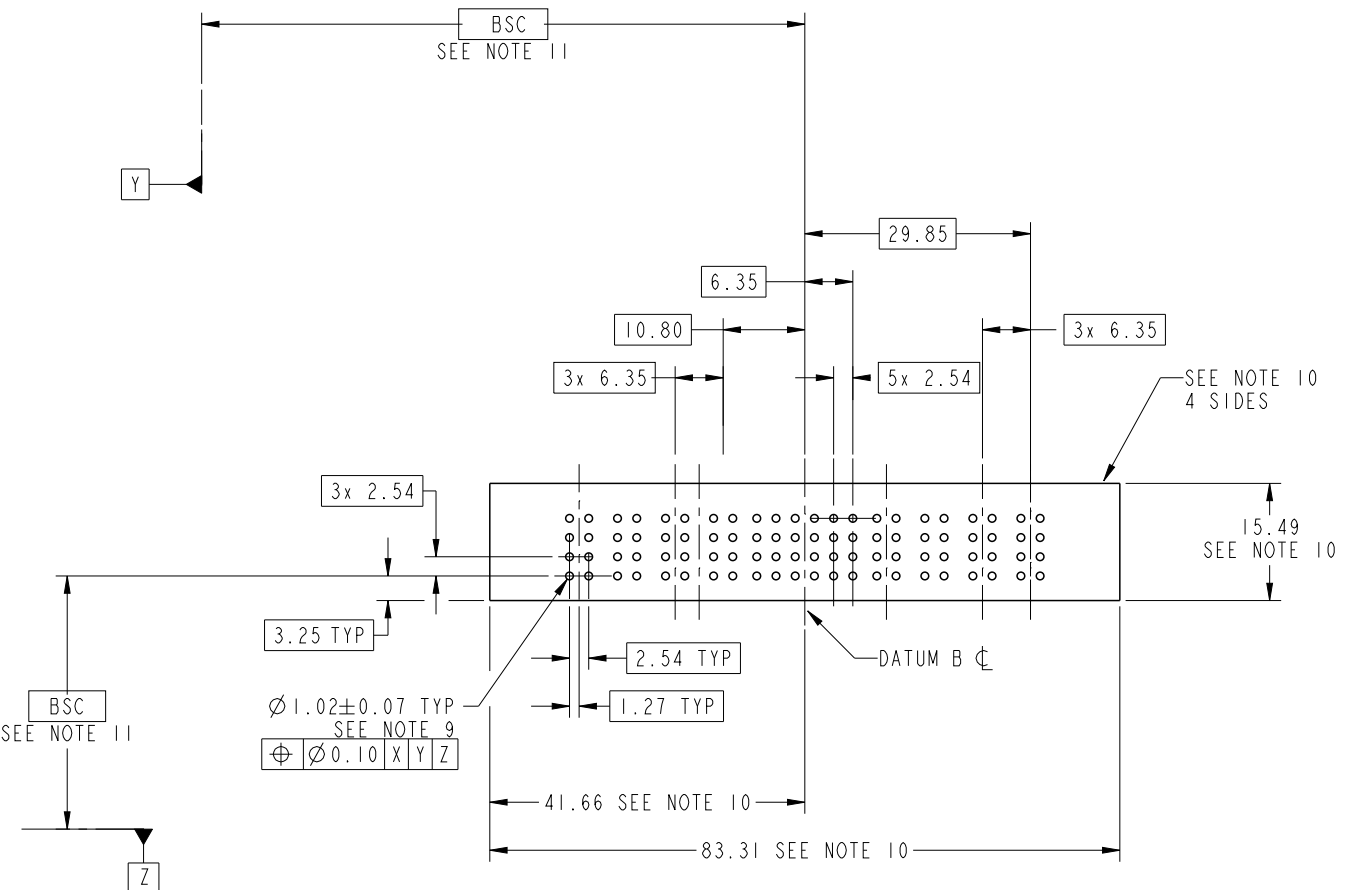
dr	Ruan MT	2014/12/18	projection 	MM 	size	A4	scale	1:1
eng	Ruan MT	2015/01/19			ecn no	-		
chr	-	-			rel level	Released		
appr	Pei-Ming Zheng	2015/01/19	product family	PwrBlade	rev	A		
	title	4P + 24S + 4P VERTICAL PF RECEPT		dwg no	51940-562LH			
www.fci.com	cat. no.	*	Product - Customer Drw		sheet 2 of 4			



Copyright FCI.

PRODUCT NUMBER

51940-562LH\_  
NOTE: 3



RECOMMENDED PCB LAYOUT

dr	Ruan MT	2014/12/18	projection 	MM 	size	A4	scale	1:1
eng	Ruan MT	2015/01/19			ecn no	-		
chr	-	-			rel level	Released		
appr	Pei-Ming Zheng	2015/01/19	product family	PwrBlade	rev	A		
		title 4P + 24S + 4P VERTICAL PF RECEPT	dwg no 51940-562LH	www.fci.com	cat. no. *	Product - Customer Drw	sheet 3 of 4	

PRODUCT NUMBER

51940-562LH\_  
NOTE: 3

NOTES:

1. DIMENSIONS AND TOLERANCES ARE IN ACCORDANCE WITH ASME Y14.5M, 1994 UNLESS OTHERWISE SPECIFIED.

CONNECTOR NOTES:

② HOUSING MATERIAL: UL 94 V-0 GLASS FILLED HIGH-TEMP THERMOPLASTIC

POWER CONTACT MATERIAL: COPPER ALLOY  
SIGNAL PIN MATERIAL: COPPER ALLOY

3. SEE ITEM 7 & 8 IN PRINT 10064183 FOR PLATING SPEC OF 51940-562LH AND 51940-562LHLF RESPECTIVELY.

④ MANUFACTURER'S NAME, DATE CODE AND OPTIONAL P/N TO APPEAR ON THIS SURFACE. THE MARK CAN BE OMITTED IF THERE IS NOT ENOUGH SPACE ON THIS SURFACE.

5. PRODUCT SPECIFICATION GS-12-149.  
APPLICATION SPECIFICATION BUS-20-067.

6. PACKAGED IN TRAYS.

PCB NOTES:

7. ALL HOLE DIAMETERS ARE FINISHED HOLE SIZE.

⑧ MOUNTING HOLES, WHERE APPLICABLE, ARE UNPLATED.

⑨  $\varnothing 1.151 \pm 0.025$  DRILLED HOLES PLATED WITH  
0.008 MIN SnPb OR Sn OVER 0.03  
TO 0.08 Cu PLATING TO ACHIEVE  
 $\varnothing 1.02 \pm 0.07$  HOLE.

⑩ CONNECTOR KEEP-OUT ZONE.

11. THE VOID CORING IN BETWEEN POWER MODULES, SIGNAL MODULES AND END MODULES ARE OPTIONAL AND THE SHAPE MAY BE DIFFERENT FOR OPTIMIZE THE MOLDING PROCESS. THE VOID CORING WILL NOT EFFECT TO PRODUCT FUNCTION.

⑫ DATUM AND BASIC DIMENIONS ARE ESTABLISHED BY CUSTOMER.

dr	Ruan MT	2014/12/18	projection 	MM 	size	A4	scale	1:1	
eng	Ruan MT	2015/01/19			ecn no	-			
chr	-	-			product family	PwrBlade	rel level	Released	
appr	Pei-Ming Zheng	2015/01/19			title	4P + 24S + 4P		rev	A
www.fci.com			cat. no.	*	Product - Customer Drw		sheet 4 of 4		
			title	VERTICAL PF RECEPT		dwg no	51940-562LH		



Copyright FCI.