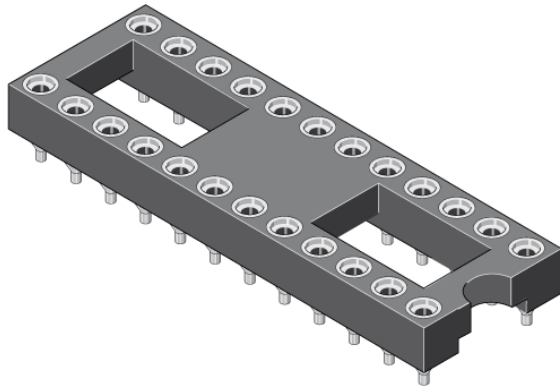


# Order code: BUXXOZ-178HT

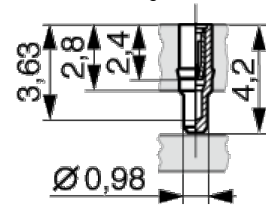
1) IC-SOCKETS, STRIPS, CARRIERS

Series: **017**

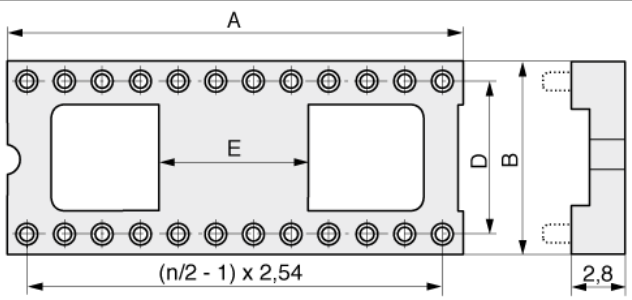


Surface mount sockets with machined, floating contacts and integrated pick and place feature. Available in tube or tape and reel packaging. Tube is standard packaging. Add - TR as suffix for tape/reel packaging.

Gender	Female
Pitch (mm)	2,54
Mating pin size (range)	ø 0,40-0,56, sq. 0,25x0,45
No of contacts	04-64
Row distance (code)	300 mil
Contact type	H5 - SMD Floating



Material contact	Copper alloy
Material clip	Beryllium copper
Plating contact	Sn
Plating clip	Au
Material insulator	High temp. thermoplast UL94V-0
Rated current	3,0 A
Rated voltage	150 VRMS / VDC
Withstand voltage	1000 VRMS for 1 minute
Operating temperature	-55°C to +125°C
Max. processing temper.	260°C for 10 seconds
Packaging	Tube or Tape/Reel
D (Row dist. mm)	7,62
A	10,10
B	10,10
E	10,10



## Order code: BUXXOZ-178HT (xx - circuits)

On-Shore Technology, Inc.  
1917 W. 3rd Street  
Tempe, AZ 85281 USA

Phone: 1-480-921-3000  
Fax: 1-480-968-4444  
Email: [info@on-shore.com](mailto:info@on-shore.com)

Date: 20.12.2017 Internet: [www.on-shore.com](http://www.on-shore.com)