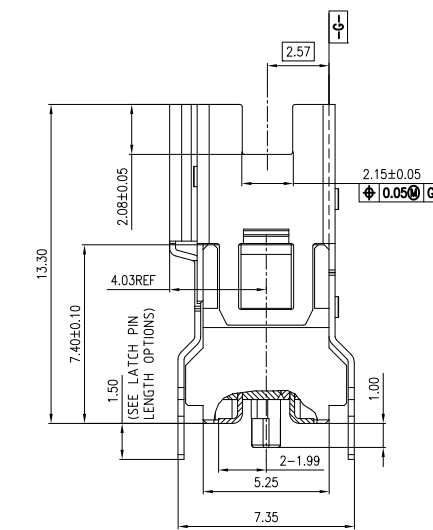
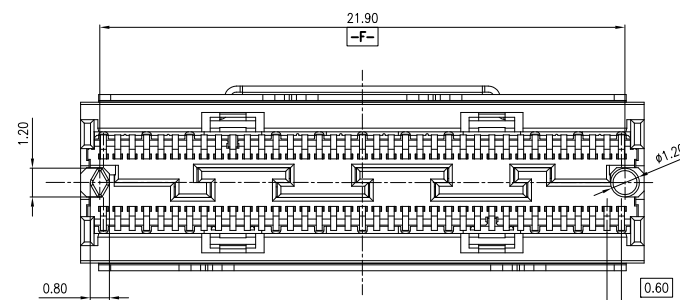
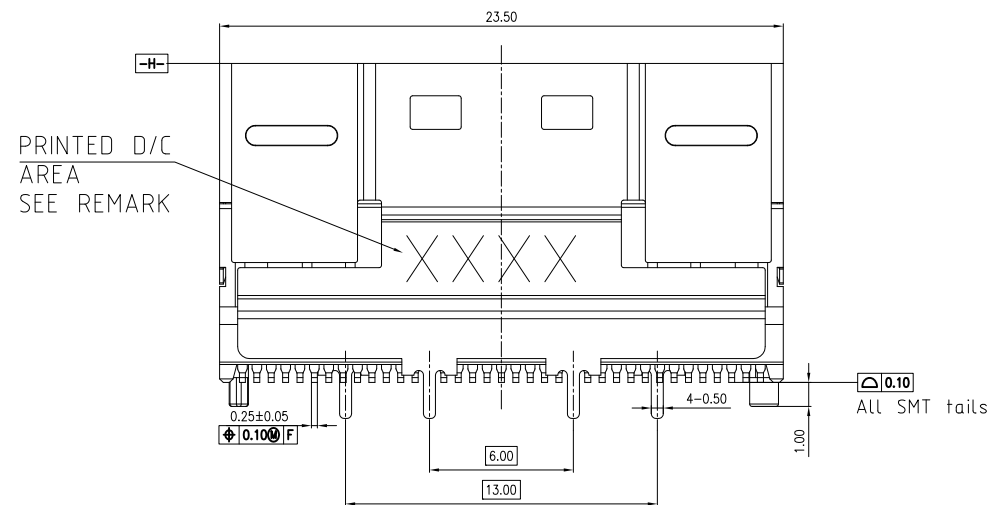
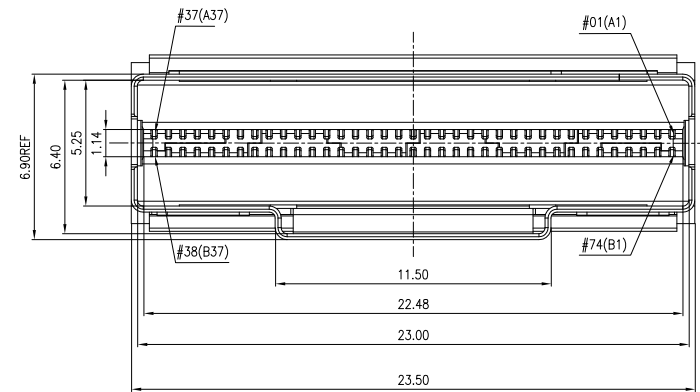
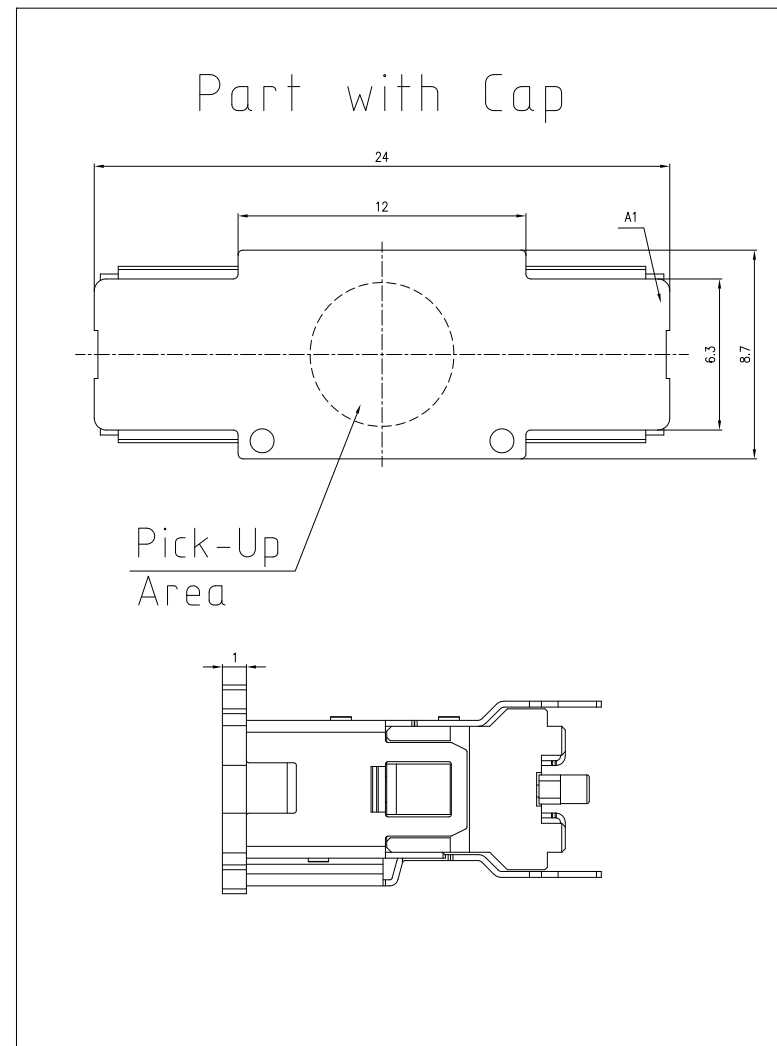


This document is the property of Amphenol Corporation and is delivered on the express condition that it is not to be disclosed, reproduced or used, in whole or in part, for manufacture or sale by anyone other than Amphenol Corporation without its prior consent, & that no right is granted to disclose or to use any information in this document.

CUSTOMER DRAWING

REVISIONS				
SYM	ECN	DESCRIPTION	DATE	APPROVED
1	N/A	FIRST RELEASE	4/26'18	IP
2	N/A	ADDING SHELL DIMENSION	5/15'18	IP
3	N/A	ADDING DIMENSION	5/17'18	IP
4	N/A	ADDING SHELL DIMENSION	5/21'18	IP
5	N/A	ADDING PCB DIMENSION	6/12'18	IP
6	N/A	CHANGING THE PACKING CARRIER	8/13'18	IP
7	N/A	CHANGING THE PACKING CARRIER WIDTH	8/21'18	IP
8	N/A	ADDING TWO CIRCULAR HOLES ON THE COVER SURFACE TO DISTINGUISH THE DIRECTION AND ADDING HOUSING COLOR DESCRIPTION	11/14'18	IP



Remark:  
 PRINTED D/C AREA  
 印刷日期代码区域  
 YYWW  
 WEEK(周)  
 YEAR(年)



UNLESS OTHERWISE SPECIFIED TOLERANCES	
U.S.	METRIC
.X	+/- 0.50
.XX	+/- 0.25
.XXX	+/- 0.20
FRACTIONS	+/-
ANGLES	+/- 3°

FOR MATERIALS AND FINISHES SEE NOTES

REMOVE SHARP EDGES

DIMENSIONS

U.S.	INCHES
(METRIC)	(MM)

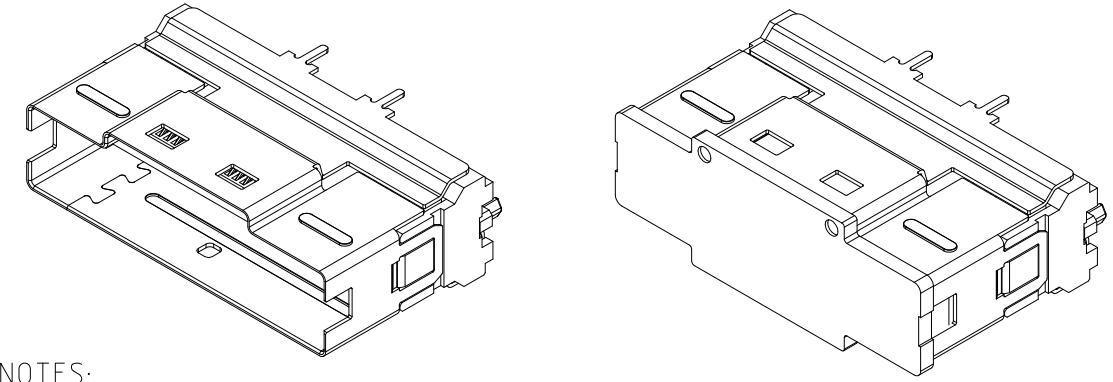
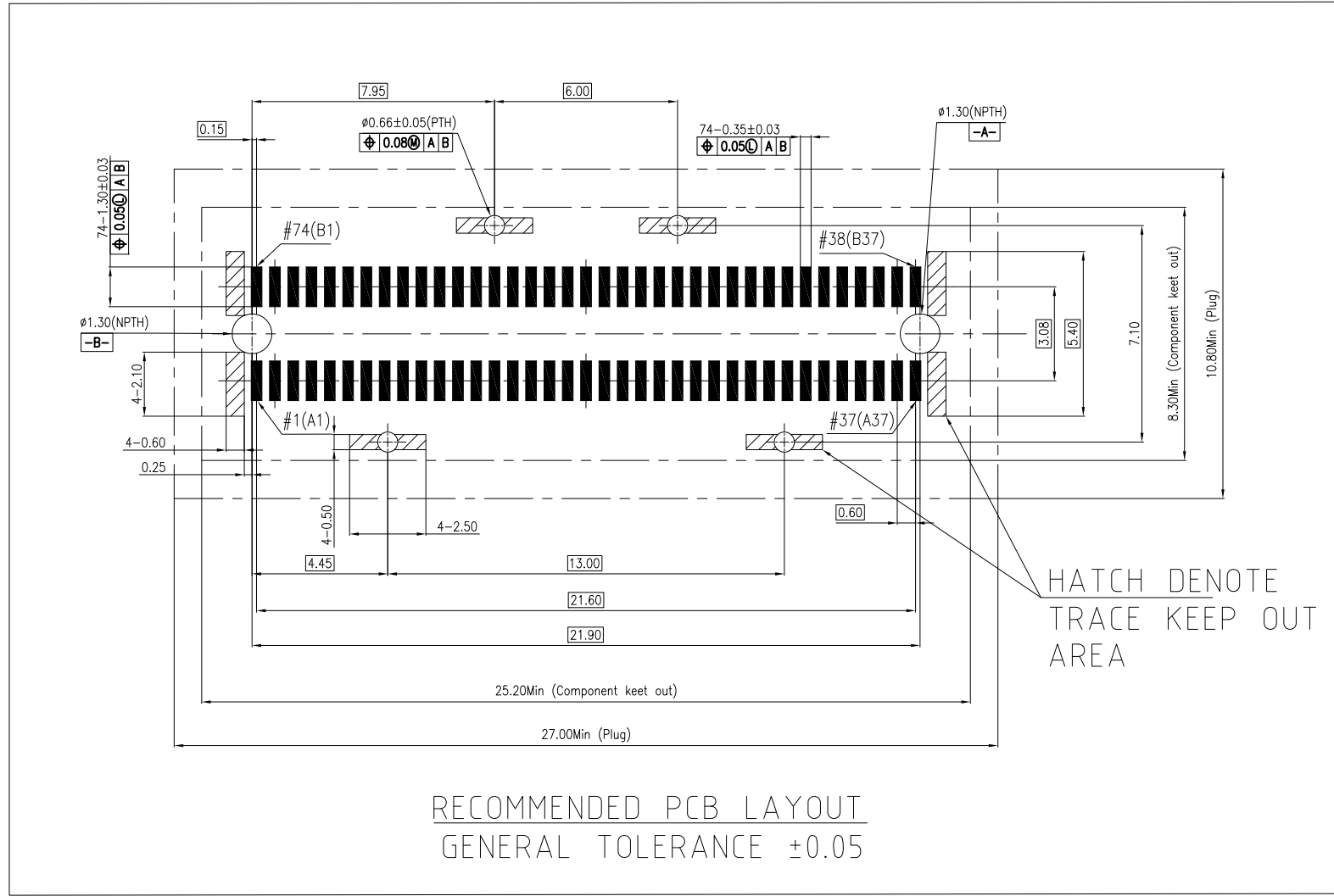
APPROVAL		DATE
DRAWN	Mike	11/14'18
CHECKED		
CHECKED		
DRAWING FILE : DRAWING\U10\U10BH74X0X01X-8		
ANGLE OF PROJECTION		

Amphenol		Amphenol East Asia Limited	
TITLE CUSTOMER DRAWING FOR SLIMLINE SAS X8 VERTICAL			
SIZE	DRAWING NO.	REV.	
A3	U10BH74X0X01X	8	
SCALE	NONE	SHEET 1 OF 2	

This document is the property of Amphenol Corporation and is delivered on the express condition that it is not to be disclosed, reproduced or used, in whole or in part, for manufacture or sale by anyone other than Amphenol Corporation without its prior consent, & that no right is granted to disclose or to use any information in this document.

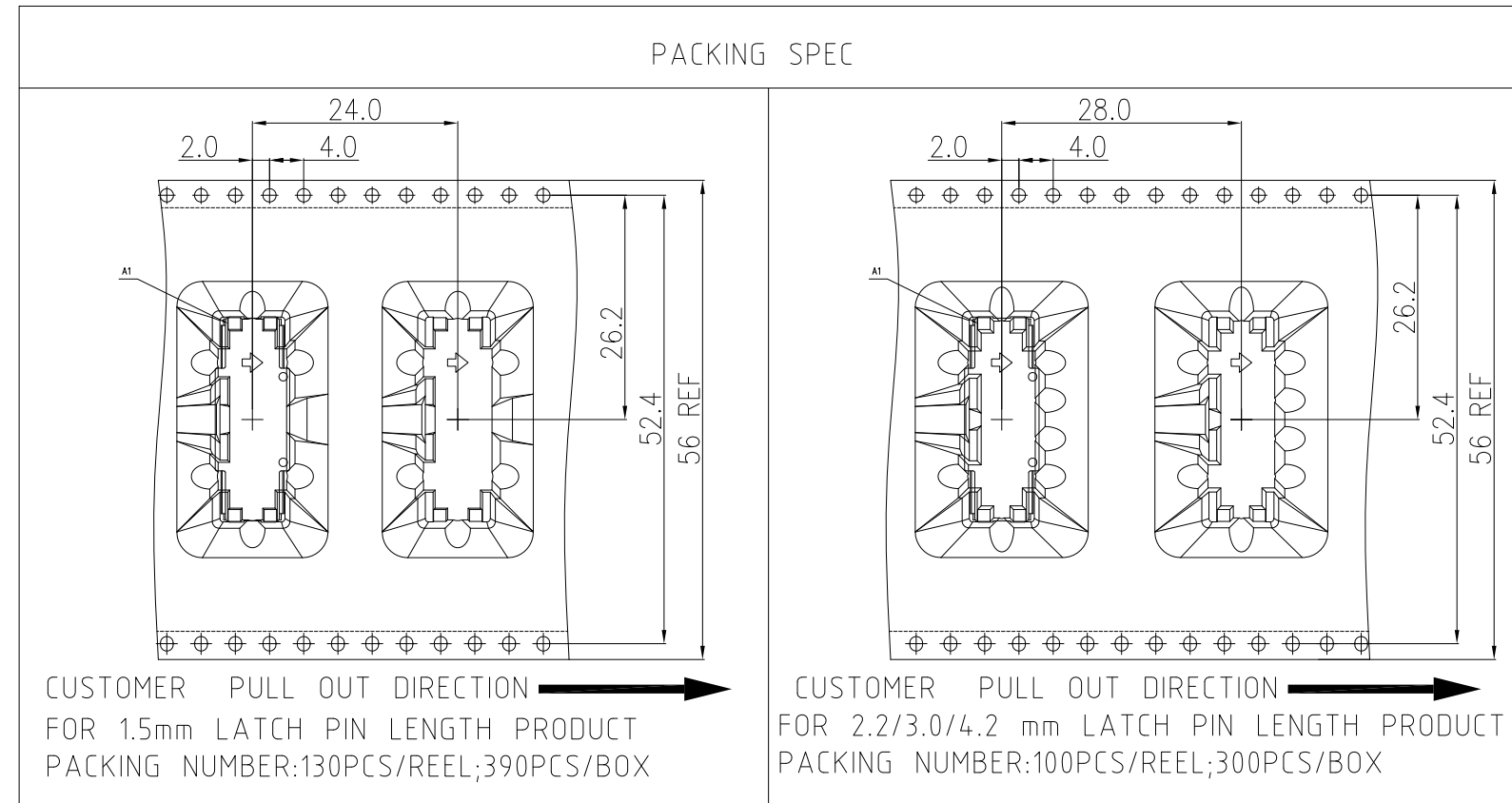
CUSTOMER DRAWING

REVISIONS				
SYM	ECN	DESCRIPTION	DATE	APPROVED
		SEE SHEET 1		



- NOTES:
- MATERIAL:  
HOUSING : SOLDER REFLOW PROCESS COMPATIBLE LCP, BLACK, UL94V-0  
CONTACTS : HIGH PERFORMANCE COPPER ALLOY, PLATING REFER TO P/N SYSTEM  
LATCH : STAINLESS STEEL, SOLDERABLE NICKEL OVER ALL
  - RoHS COMPLIANT
  - ORDER P/N SYSTEM:  
U10BH74XXX01X

- Packing Options  
T: tape&reel
- Options (resonance damping and latch options)  
0: With resonance damping  
1: No resonance damping
- LATCH PIN LENGTH OPTIONS  
0: 1.50  
7: 2.20  
8: 3.00  
9: 4.20
- CONTACT PLATING OPTION  
2: 30 MICROINCHES OF GOLD ON MATING END WITH MATTE TIN ON SOLDER TERMINATION, NICKEL UNDERPLATE ALL OVER  
3: 15 MICROINCHES OF GOLD ON MATING END WITH MATTE TIN ON SOLDER TERMINATION, NICKEL UNDERPLATE ALL OVER



UNLESS OTHERWISE SPECIFIED TOLERANCES	APPROVAL	DATE	Amphenol Amphenol East Asia Limited
	DRAWN Mike	11/14'18	
.X +/- 0.50	CHECKED		TITLE CUSTOMER DRAWING FOR SLIMLINE SAS X8 VERTICAL
.XX +/- 0.25	CHECKED		
.XXX +/- 0.20	DRAWING FILE : DRAWING\U10\U10BH74X0X01X-8		SIZE DRAWING NO. A3 U10BH74X0X01X
FRACTIONS +/-	ANGLE OF PROJECTION		
ANGLES +/- 3°	REMOVE SHARP EDGES		REV. 8
FOR MATERIALS AND FINISHES SEE NOTES	DIMENSIONS		SCALE NONE SHEET 2 OF 2
	U.S. INCHES	(METRIC) (MM)	