

5535090-4 ✓ ACTIVE

EUROCARD

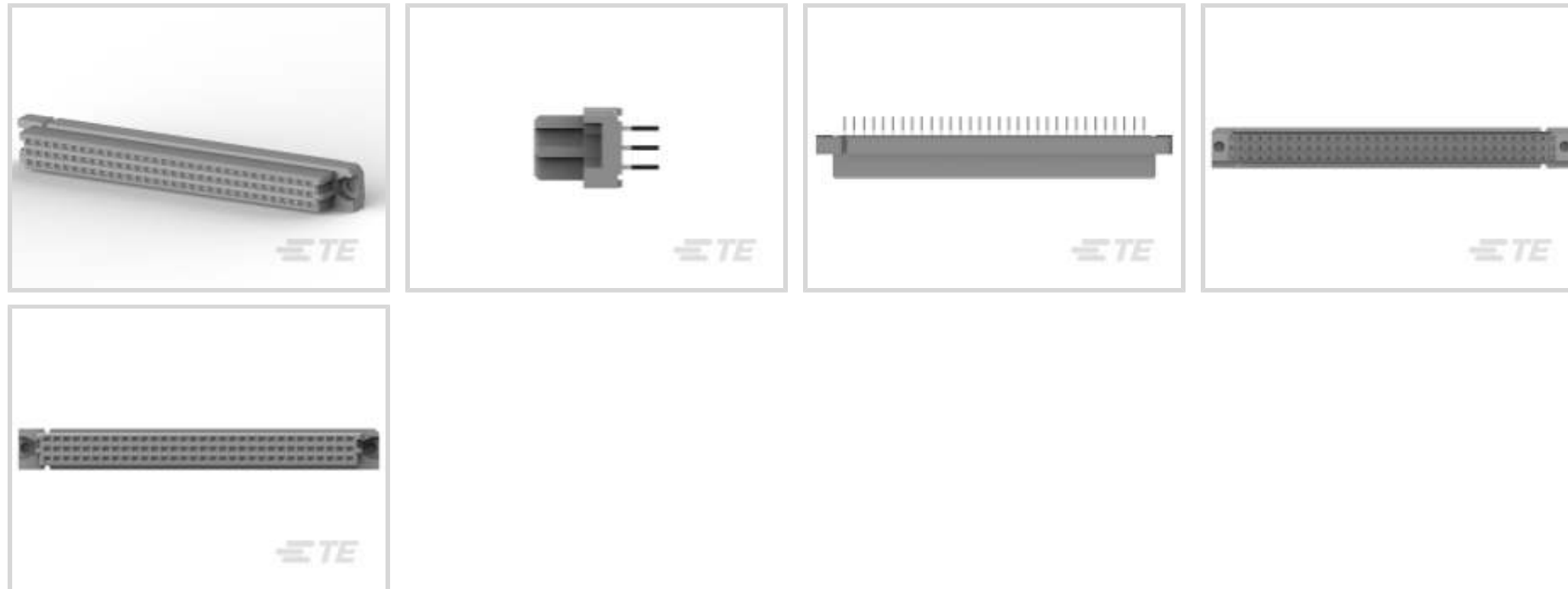
TE Internal #: 5535090-4

Eurocard Connectors, Receptacle, Board-to-Board, 96 Position, .1 in [2.54 mm] Centerline, Printed Circuit Board, 3 Row, Vertical, 32 Column

[View on TE.com >](#)



Connectors > PCB Connectors > Backplane Connectors > Eurocard Connectors



Connector & Housing Type: **Receptacle**

Connector System: **Board-to-Board**

Termination Post & Tail Length: **3.3 mm [.13 in]**

Number of Positions: **96**

Centerline (Pitch): **2.54 mm [.1 in]**

Features

Product Type Features

Connector & Housing Type	Receptacle
Connector System	Board-to-Board
Connector & Contact Terminates To	Printed Circuit Board
DIN Size	Standard
DIN Level	II

Configuration Features

Number of Positions	96
Number of Rows	3
PCB Mount Orientation	Vertical
Number of Columns	32
Number of Signal Positions	96
Rows Loaded	A, B, C

Termination Features

Termination Post & Tail Length	3.3 mm[.13 in]
--------------------------------	----------------



Mechanical Attachment

Connector Mounting Type	Board Mount
-------------------------	-------------

Housing Features

Centerline (Pitch)	2.54 mm[.1 in]
--------------------	----------------

Dimensions

Row-to-Row Spacing	2.54 mm[.1 in]
--------------------	----------------

Usage Conditions

Operating Temperature Range	-55 – 105 °C[-67 – 221 °F]
-----------------------------	----------------------------

Operation/Application

Circuit Application	Signal
---------------------	--------

Product Compliance

[For compliance documentation, visit the product page on TE.com>](#)

EU RoHS Directive 2011/65/EU	Compliant
EU ELV Directive 2000/53/EC	Compliant
China RoHS 2 Directive MIIT Order No 32, 2016	No Restricted Materials Above Threshold
EU REACH Regulation (EC) No. 1907/2006	Current ECHA Candidate List: JUNE 2023 (235) Candidate List Declared Against: JUNE 2023 (235) Does not contain REACH SVHC
Halogen Content	Not Low Halogen - contains Br or Cl > 900 ppm.
Solder Process Capability	Wave solder capable to 265°C

Product Compliance Disclaimer

This information is provided based on reasonable inquiry of our suppliers and represents our current actual knowledge based on the information they provided. This information is subject to change. The part numbers that TE has identified as EU RoHS compliant have a maximum concentration of 0.1% by weight in homogenous materials for lead, hexavalent chromium, mercury, PBB, PBDE, DBP, BBP, DEHP, DIBP, and 0.01% for cadmium, or qualify for an exemption to these limits as defined in the Annexes of Directive 2011/65/EU (RoHS2). Finished electrical and electronic equipment products will be CE marked as required by Directive 2011/65/EU. Components may not be CE marked. Additionally, the part numbers that TE has identified as EU ELV compliant have a maximum concentration of 0.1% by weight in homogenous materials for lead, hexavalent chromium, and mercury, and 0.01% for cadmium, or qualify for an exemption to these limits as defined in the Annexes of Directive 2000/53/EC (ELV). Regarding the REACH Regulation, the information TE provides on SVHC in articles for this part number is based on the latest European Chemicals Agency (ECHA) 'Guidance on requirements for substances in articles' posted at this URL: <https://echa.europa.eu/guidance-documents/guidance-on-reach>

Compatible Parts




TE Part # 1-148057-5
096 EURO TYP C RECP 13MM ASSY



TE Part # 5535089-5
ASSEMBLY,RECEPTACLE,EUROCARD, T



TE Part # 650473-5
096 EURO TYPE C PIN ST ASSY



TE Part # 5650908-5
ASSY,PIN,EUROCARD,TYPE R,LEAD-T



TE Part # 5650473-5
ASSY,PIN,EUROCARD,TYPE C,LEAD-



TE Part # 650947-5
096 EURO TYPE C PIN ST ASSY



TE Part # 5148059-5
ASSY,RECEPTACLE,EUROCARD,TYPE C,LEAD-FRE



TE Part # 5536405-5
ASSY,PIN,EUROCARD,TYPE C,LEAD-



TE Part # 9-1393644-1
V42254B1200C960=PC612 MESSERLE



TE Part # 5535090-5
ASSEMBLY,RECEPTACLE,EUROCARD, T



TE Part # 1-1393644-6
V42254B1100C960=PC612 MESSERLE



TE Part # 650913-5
096 EURO TYPE C PIN BL ASSY



TE Part # 5650470-5
ASSY,PIN,EUROCARD,TYPE R,LEAD-



TE Part # 1-148059-5
096 EURO TYP C RECP 17MM ASSY



TE Part # 535032-4
096 EURO TYPE C RECEPT AP ASSY



TE Part # 5535032-4
ASSY,RECEPTACLE,EUROCARD,TYPE



TE Part # 5650913-5
ASSY,PIN,EUROCARD,TYPE C,LEAD-



TE Part # 5650889-5
ASSY,PIN,EUROCARD,TYPE R,LEAD-

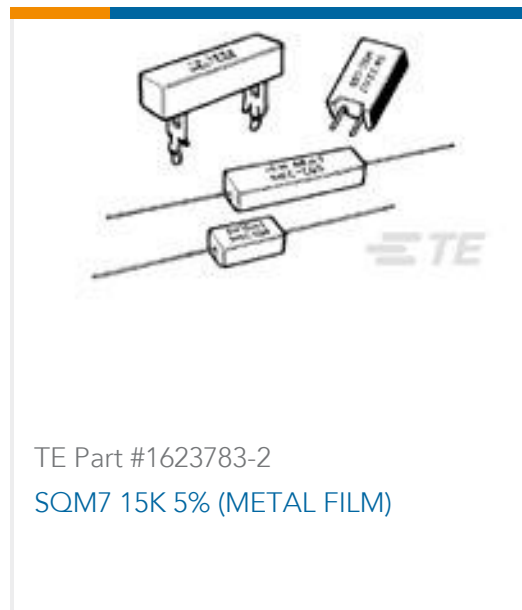


TE Part # 5650963-5
ASSY,RECEPTACLE,EUROCARD,TYPE



TE Part # 4-1393637-6
V42254P2263C960=PC612 FEDERLEI

Customers Also Bought



TE Part #1623783-2
SQM7 15K 5% (METAL FILM)



TE Part #1-5102154-0
A/L UNIV HDR 50P VERT



TE Part #5750638-1
15 PLUG SP/FMS BRDLK



TE Part #5-1879022-5
SMF3 56K 5%



TE Part #1-1879073-2
Power Resistor: Aluminum Housed, 75
Watt



TE Part #1676814-8
HSA5 1K21 1%



TE Part #1-102387-3
44 MOD IV HSG COMP DR .100 POL



TE Part #2-2176342-0
CRGCQ 0805 1K5 5%



TE Part #1-2176329-6
CRGP 1210 180R 1%

Documents

Product Drawings

[ASSEMBLY,RECEPTACLE,EUROCARD,T](#)

English

CAD Files

[3D PDF](#)

3D

Customer View Model

[ENG_CVM_CVM_5535090-4_A.2d_dxf.zip](#)

English

Customer View Model

[ENG_CVM_CVM_5535090-4_A.3d_igs.zip](#)

English

Customer View Model

[ENG_CVM_CVM_5535090-4_A.3d_stp.zip](#)

English

By downloading the CAD file I accept and agree to the [Terms and Conditions](#) of use.

Product Specifications



Application Specification

English

Product Environmental Compliance

TE Material Declaration

English