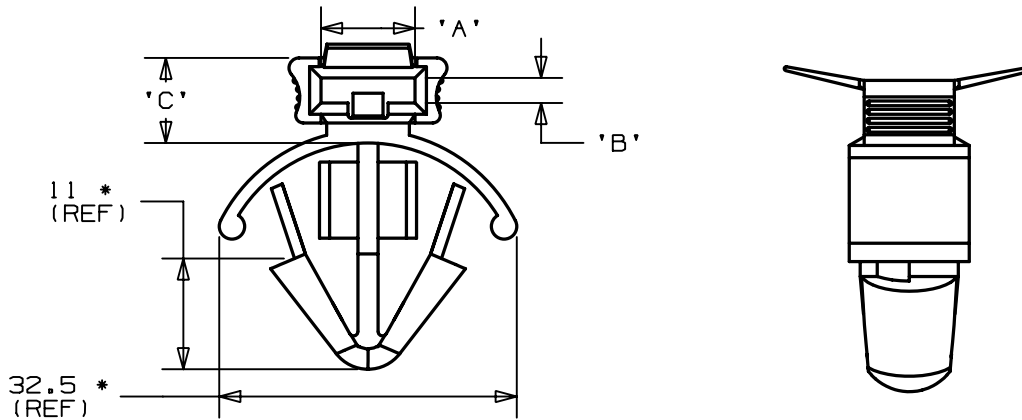


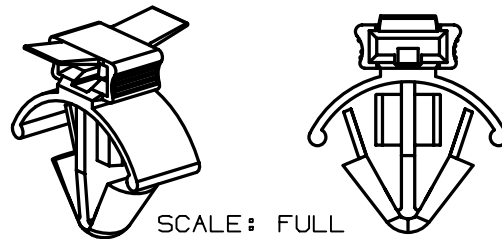
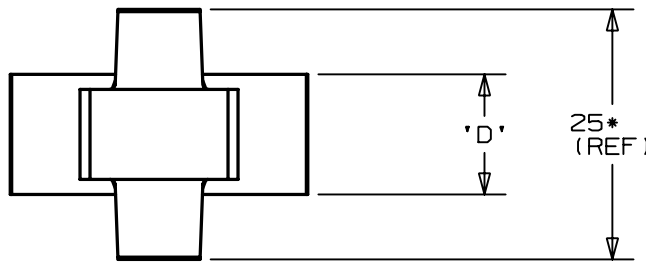
THIS COPY IS PROVIDED ON A RESTRICTED BASIS AND IS NOT TO BE USED IN ANY WAY DETRIMENTAL TO THE INTERESTS OF PANDUIT CORPORATION.

PANDUIT PART NO.	DIMENSIONS				MATERIAL	COLOR	CABLE TIE TYPES:	WEIGHT	
	'A'	'B'	'C'	'D'				grams	100 pcs
PWMHH12-..300	9.4	2.5	8.9	12	HEAT STABILIZED UV-STABILIZED NYLON 6/6	BLACK	S , H	270	



NOTES:

1. SEE CURRENT PRICE SHEET FOR PART NUMBER SUFFIX DESIGNATION FOR PACKAGE SIZE, AND COLOR.
2. (*) DIMENSIONAL VARIANCE IS POSSIBLE DUE TO MOLDING PROCESS RELATED SINK MARKS.
3. APPLICATION SPECIFICATION:
HOLE DIAMETER: 10.0 - 13.0 mm
PANEL THICKNESS: 3.0 - 9.0 mm



CAD FILENAME/LAYERS		G01932BM_PB_PWMHH12_03	
PANDUIT CORP.		TINLEY PARK, ILLINOIS	
WINGED PUSH MOUNT			
Unless otherwise specified, all dimensions are metric tolerance; ±0.5mm			
DRAWN BY	JAD	MAT'L:	SCALE 1.5X
DATE	X5-13-98	SEE ABOVE	DRAWING NO.
CHK'D			GB1932BM
			DWG SIZE A

REV	DATE	BY	CHK	DESCRIPTION	ECN - R	CUST	SUP
3	8/30/05	JAD		DELETE DIM E, DEL DIM 9, 15.4, 8.9 11 WAS 'D', CHANGE 12 TO 'D'	GB1932BM	3	