

6

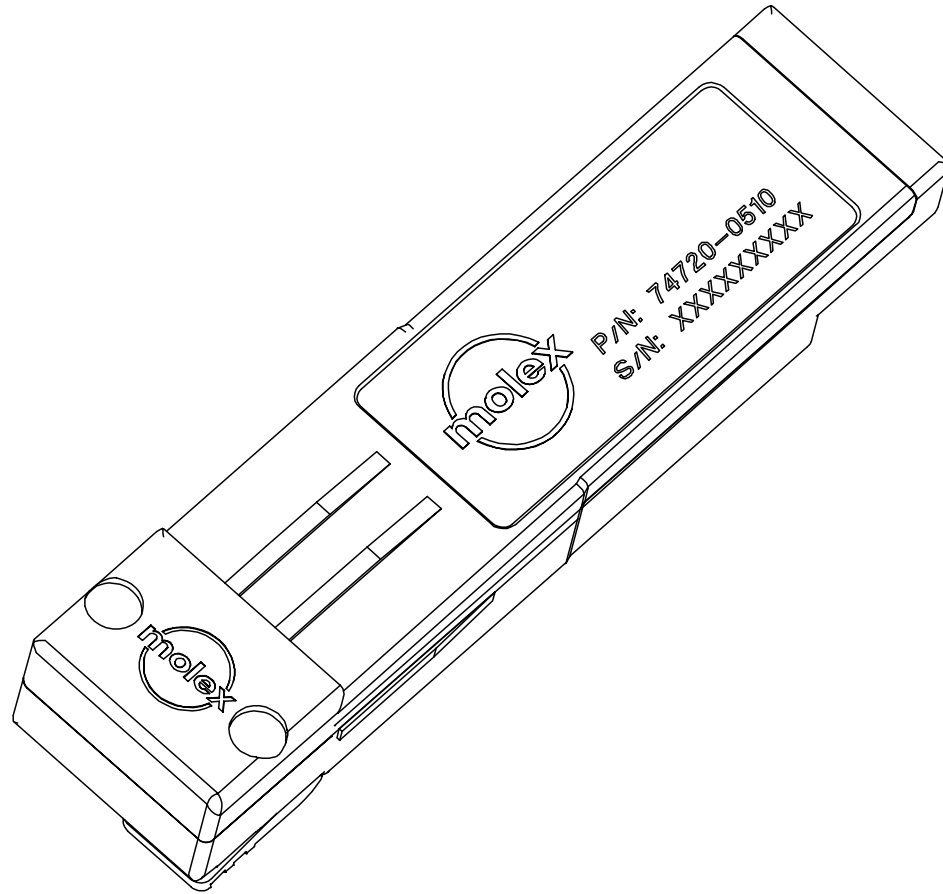
5

4

3

2

74720



1. Mates to SFP components which comply to standard MSA dimension specifications.
2. Robust zinc die cast body, bright nickel plated. Mounts belly-to-belly using .093"+ boards.
3. Raised wedges assure electrical contact with surrounding EMI cage assembly.
4. Spring loaded latch releases with simple squeeze, and pull action.

EC NO: USY20026-10205 DRWN: JERWIN 2005/08/24 CHK: APPR: KLOYD 2005/08/24 REV	QUALITY SYMBOLS	GENERAL TOLERANCES (UNLESS SPECIFIED)		SCALE 6:1	DESIGN UNITS METRIC	THIRD ANGLE PROJECTION	REVISE ON CAD ONLY		
	▼ - 0 ∇ - 0		mm	INCH	DIMENSION STYLE		TITLE		
					MM/IN				
		4 PLACES	± ---	± ---	DRAWN BY	DATE	SFP EMI PLUG		
		3 PLACES	± ---	± .005	DIRKERS	2002/05/01			
2 PLACES	± 0.13	± ---	CHECKED BY	DATE	MOLEX INCORPORATED				
1 PLACE	± ---	± ---	DIRKERS	2002/05/01					
		ANGULAR ± 1/2 °		APPROVED BY	DATE	MATERIAL NO.	DOCUMENT NO.	SHEET NO.	
		DRAFT WHERE APPLICABLE MUST REMAIN WITHIN DIMENSIONS		RUSSELL	2002/05/01	747200510	SD-74720-0510	1 OF 2	
		THIS DRAWING CONTAINS INFORMATION THAT IS PROPRIETARY TO MOLEX INCORPORATED AND SHOULD NOT BE USED WITHOUT WRITTEN PERMISSION							A

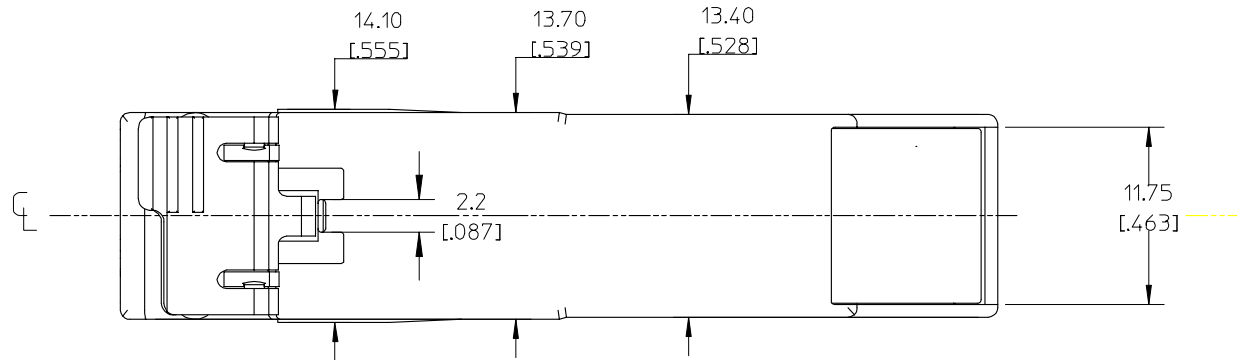
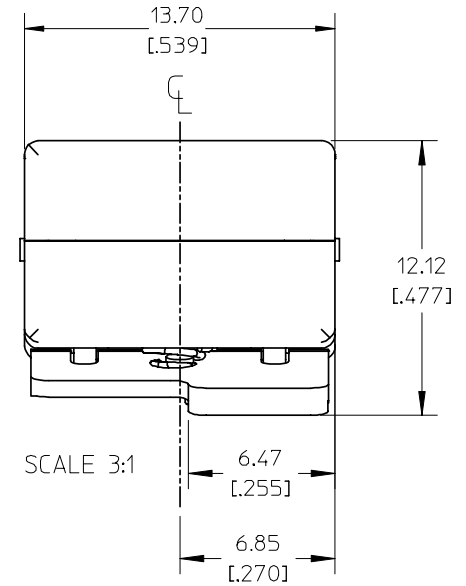
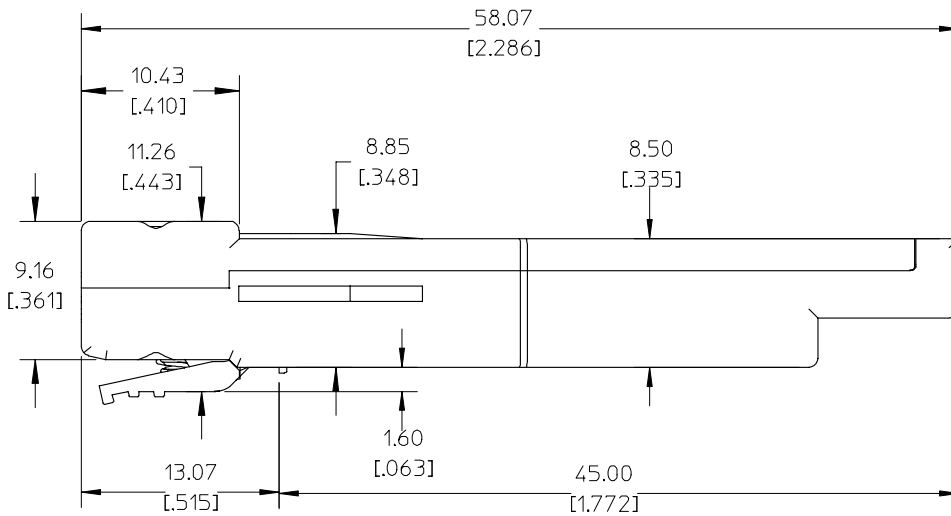
5

4

3

2

1



EC NO: USY2006-10005 DRWN: JERWIN 2005/08/24 CHK: APPR: KLOYD 2005/08/24 REV DESCRIPTION	QUALITY SYMBOLS	GENERAL TOLERANCES (UNLESS SPECIFIED)		SCALE 2:1	DESIGN UNITS METRIC	THIRD ANGLE PROJECTION	REVISE ON CAD ONLY	
	▽ - 0 ∇ - 0		mm	INCH	DIMENSION STYLE MM/IN		TITLE SFP EMI PLUG	
		4 PLACES	± ---	± ---	DRAWN BY DIRKERS	DATE 2002/05/01	MOLEX INCORPORATED MATERIAL NO. 747200510 DOCUMENT NO. SD-74720-0510 SHEET NO. 2 OF 2	
		3 PLACES	± ---	± .005	CHECKED BY DIRKERS	DATE 2002/05/01		
2 PLACES	± 0.13	± ---	APPROVED BY RUSSELL		DATE 2002/05/01			
		1 PLACE	± ---	± ---	ANGULAR ± 1/2 °			
		DRAFT WHERE APPLICABLE MUST REMAIN WITHIN DIMENSIONS		THIS DRAWING CONTAINS INFORMATION THAT IS PROPRIETARY TO MOLEX INCORPORATED AND SHOULD NOT BE USED WITHOUT WRITTEN PERMISSION				A