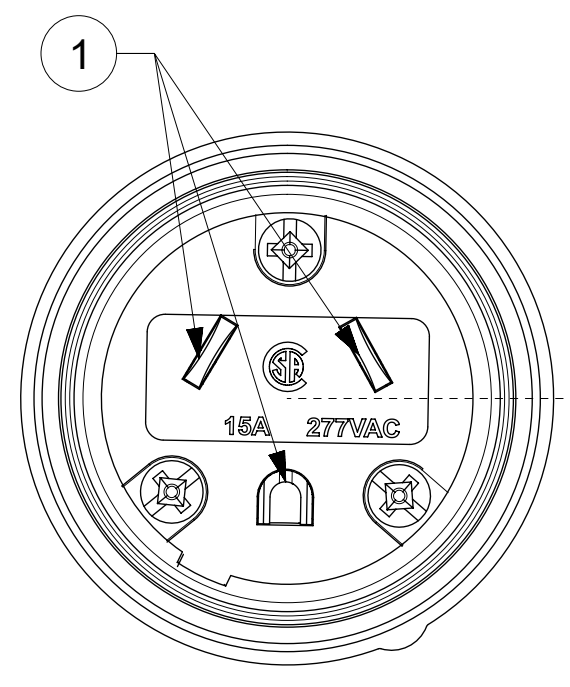
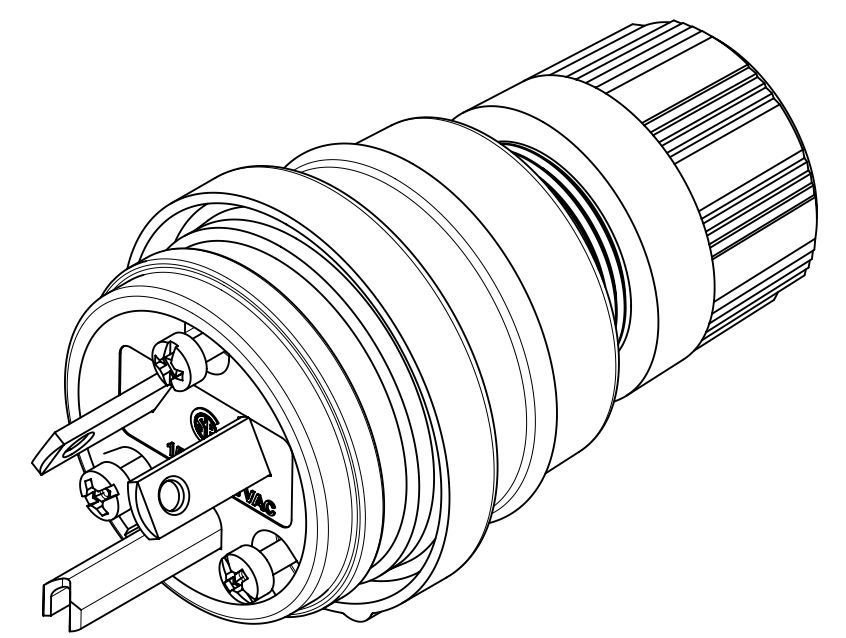
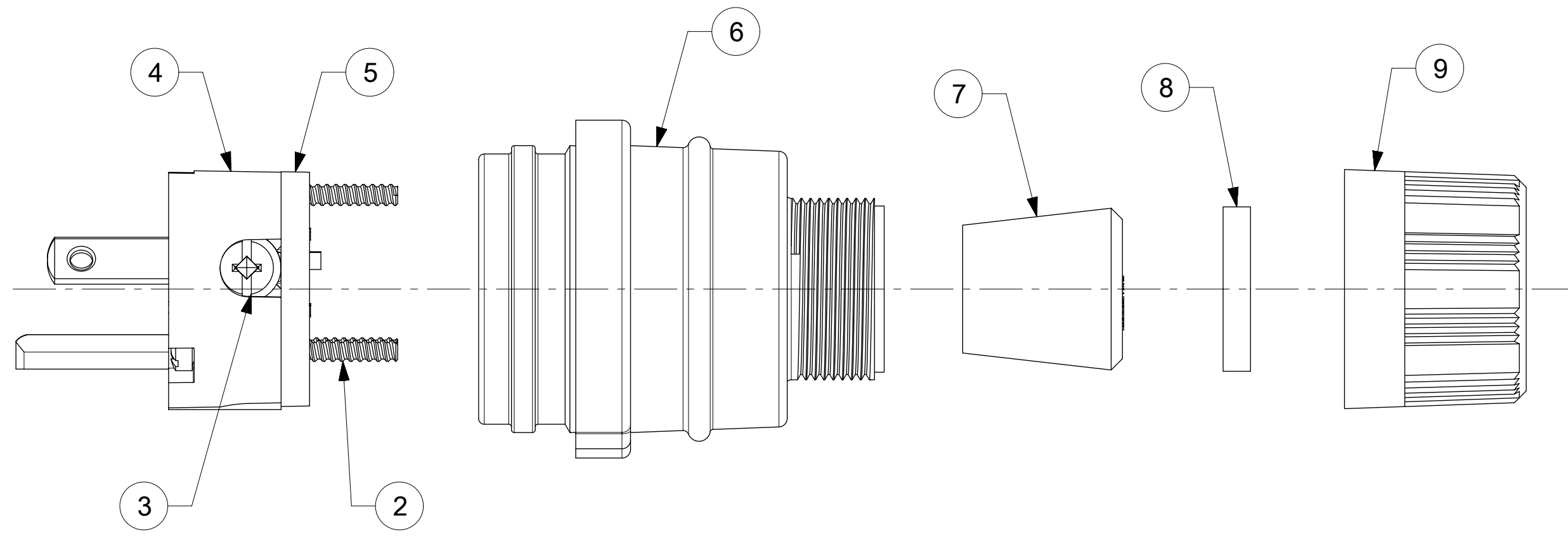
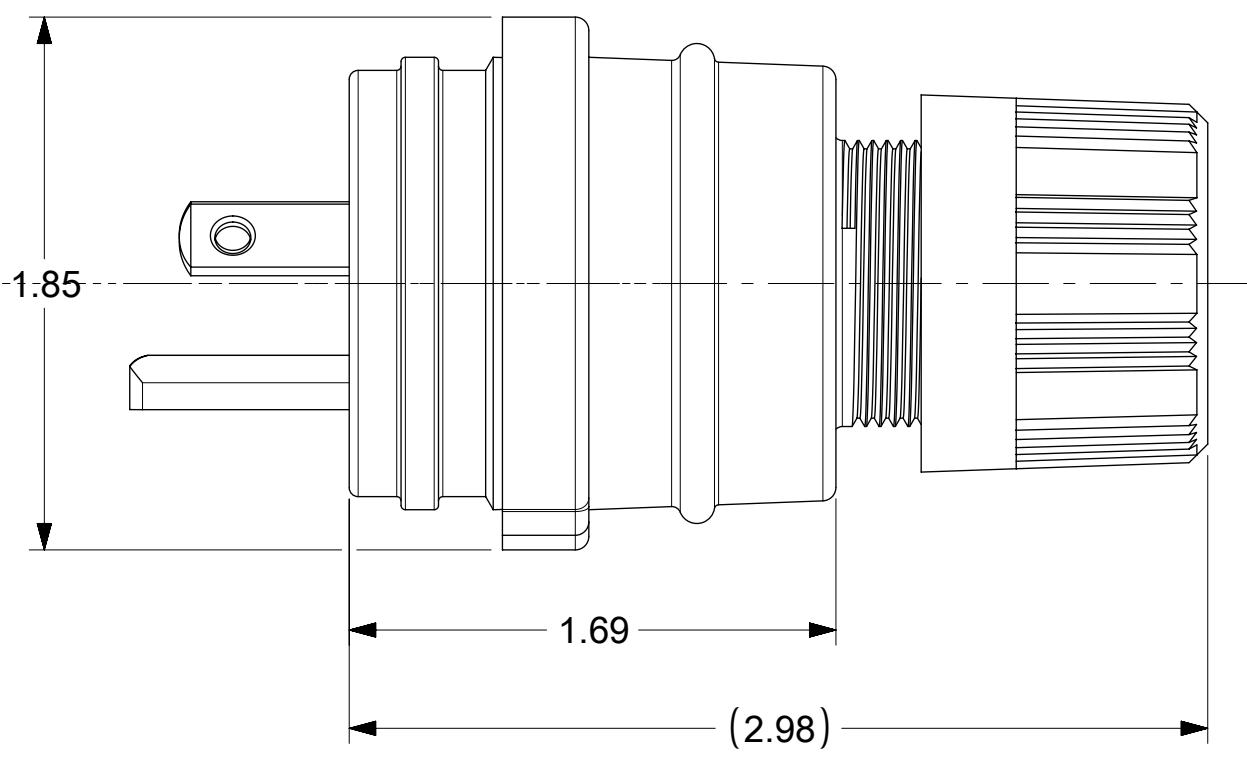


ORDER NO.	WOODHEAD NO.	COLOR
130146-0184	14W34-P	YELLOW



**FACE VIEW**



**NOTES:**

1. SEE INSTRUCTION SHEET NUMBER 1301414770 FOR PRODUCT SPECIFICATION.
2. CABLE RANGE FROM 0.375" TO 0.625"

ITEM NO.	DESCRIPTIONS	MATERIAL	QTY.
1	BLADES	BRASS	3
2	RETAINING SCREWS	STAINLESS STEEL	3
3	TERMINAL SCREWS	BRASS, ZINC PLATED	3
4	INSERT	NYLON	1
5	TERMINAL COVER	POLYCARBONATE	1
6	HOUSING	RUBBER WITH NYLON THREAD	1
7	GROMMETS	RUBBER	5
8	FRICTION RING	NYLON	1
9	COMPRESSION NUT	NYLON	1

SYMBOLS		THIS DRAWING CONTAINS INFORMATION THAT IS PROPRIETARY TO MOLEX ELECTRONIC TECHNOLOGIES, LLC AND SHOULD NOT BE USED WITHOUT WRITTEN PERMISSION		CURRENT REV DESC: RELEASED	
▽ = 0	DIMENSION UNITS	SCALE	molex		
▽ = 0	INCH	NTS	WATERTITE PLUG, 7-15P		
▽ = 0	GENERAL TOLERANCES (UNLESS SPECIFIED)		PRODUCT CUSTOMER DRAWING		
▽ = 0	ANGULAR TOL	± 0.5°	DOCUMENT NUMBER		
▽ = 0	4 PLACES	±	EC NO: 613379	2018/11/12	
▽ = 0	3 PLACES	± 0.005	DRWN: ABABU01	2019/03/13	
▽ = 0	2 PLACES	± 0.01	CHK'D: DNGUYEN62	2019/03/18	
▽ = 0	1 PLACE	± 0.02	APPR: HKNEELAND	2019/03/18	
□ = 0	0 PLACES	±	INITIAL REVISION:		
■ = 0	DRAFT WHERE APPLICABLE MUST REMAIN WITHIN DIMENSIONS		DRWN: ABABU01	2018/11/12	
▽ = 0	THIRD ANGLE PROJECTION		APPR: HKNEELAND	2019/03/18	
	DRAWING		SERIES		
	C-SIZE		130146		
	MATERIAL NUMBER		CUSTOMER		SHEET NUMBER
	SEE TABLE		GENERAL MARKET		1 OF 1