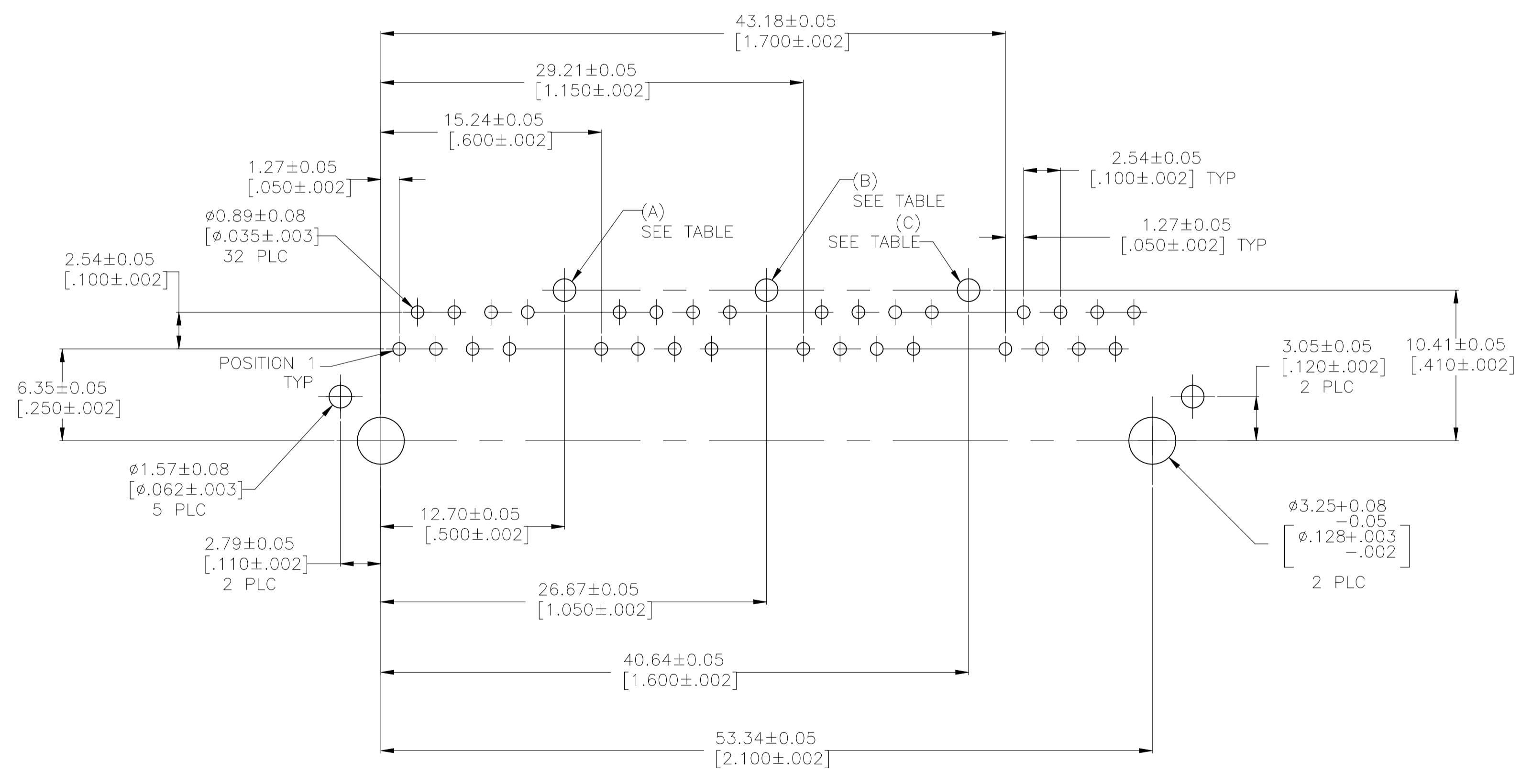
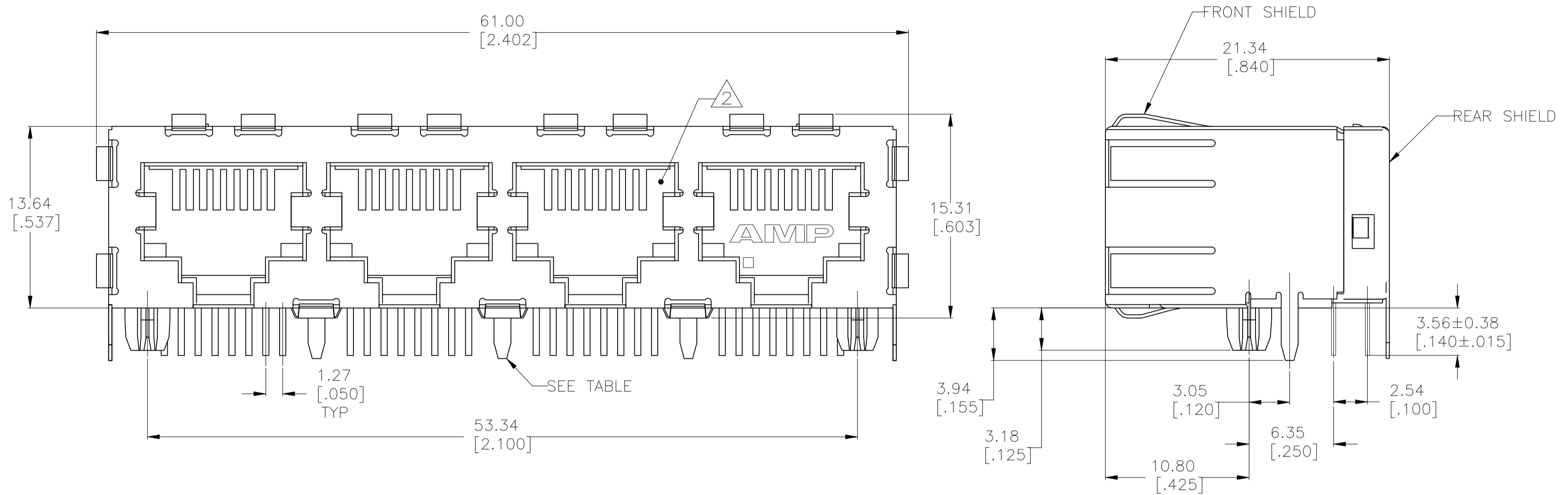


REVISIONS				
REV	DESCRIPTION	DATE	BY	APP'D
C3	ECR-19-014657	13DEC2020	RR	SZ



RECOMMENDED PC BOARD LAYOUT
COMPONENT SIDE

- MATERIAL: HOUSING - NYLON, COLOR: BLACK, UL 94V-0.
OVERMOLDED TERMINAL ARRAY - PBT, BROWN.
TERMINALS - 0.33[.013] THICK PHOS BRONZE
PLATED WITH 1.27μm[.000050] MINIMUM HARD
GOLD IN LOCALIZED AREA AND 3.81μm[.000150]
MINIMUM TIN IN SOLDER AREA OVER 1.27μm
[.000050] MINIMUM NICKEL UNDERPLATE.
SHIELD - 0.254[.010] THICK COPPER ALLOY PLATED
WITH 1.27μm[.000050] MINIMUM NICKEL AND
2.03μm[.000080] MINIMUM HOT TIN DIP ON PCB GROUND TABS.

- ⚠ JACK CAVITY CONFORMS TO FCC RULES AND REGULATIONS, PART 68 SUBPART F.
- ⚠ OBSOLETE PARTS: OBSOLETE CIS STREAMLINING PER D.RENAUD/D.SINISI

OBSOLETE	(A)	(B)	(C)	ALL THREE	5406281-3
	(B)	(1)	MIDDLE	-5406281-2-	
	NONE	NONE	NONE	-5406281-1-	
	HOLES USED		NO. OF REAR TABS	PART NO.	

THIS DRAWING IS A CONTROLLED DOCUMENT.		DIN 170CT2007 J.ALCORTA/LA.MAYE		TE Connectivity	
DIMENSIONS: mm [INCHES]		TOLERANCES UNLESS OTHERWISE SPECIFIED:		NAME	
0 PLC ± -		1 PLC ± -		S.FLICKINGER	
1 PLC ± -		2 PLC ± -		PRODUCT SPEC	
2 PLC ± -		3 PLC ± -		108-1163-2	
3 PLC ± -		4 PLC ± -		APPLICATION SPEC	
4 PLC ± -		ANGLES ± -		114-2048	
MATERIAL SEE NOTE 1		FINISH SEE NOTE 1		WEIGHT 0.000000	
				A1 00779	
				CUSTOMER DRAWING	
				SCALE 4:1 SHEET 1 of 1 REV C3	