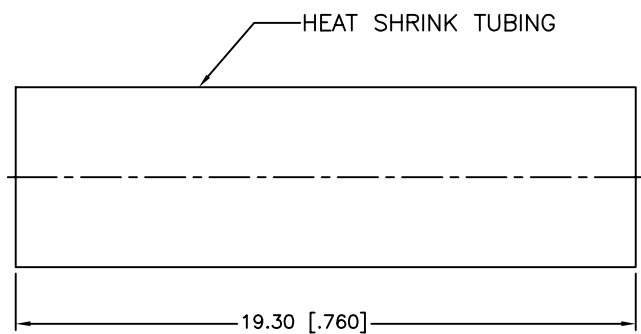
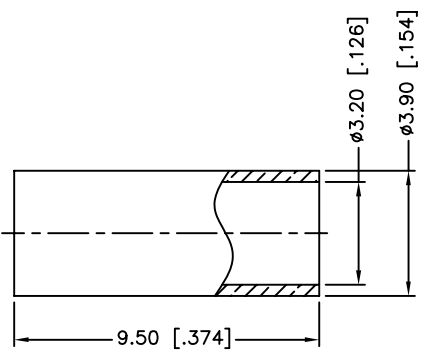
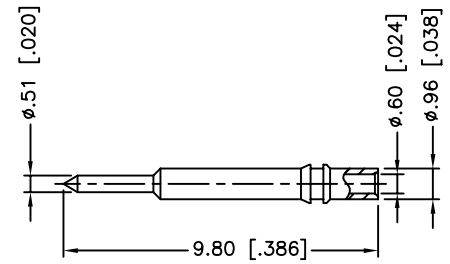
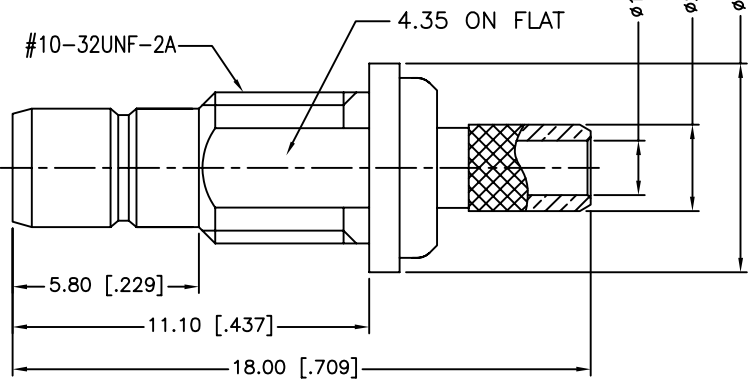
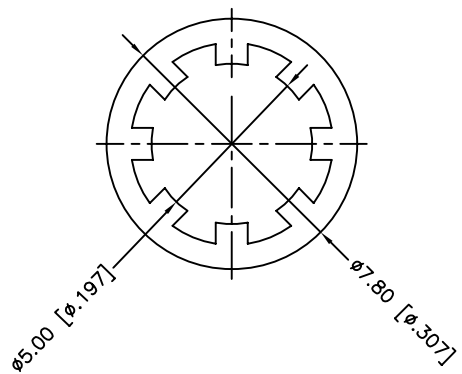
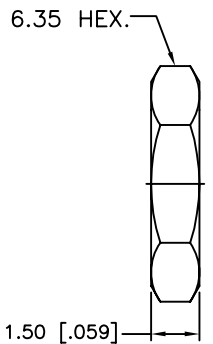
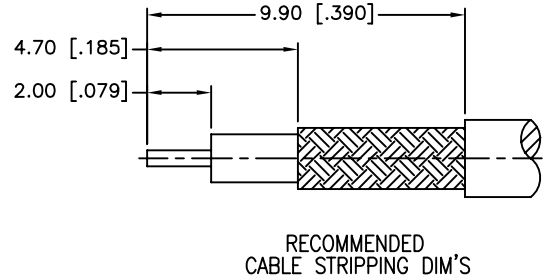
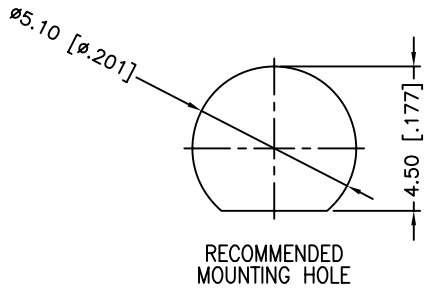


REV.	DATE	ECR NO.	DESCRIPTION
A	06/05/03	XXXXXX	UPDATE DRAWING FORMAT
B	05/08/07	XXXXXX	REVISE BARREL, FERRULE DIMENSIONS
C	02/11/10	2022	REMOVE NOTE 2



NTOE:  
1. CRIMPED FERRULE HEX CRIMP SIZE .128"  
2. MAX. PANEL THICKNESS=2.4mm

QTY	DESCRIPTION	MATERIAL	FINISH
8	HEAT SHRINK TUBING		BLACK
7	HEX NUT	BRASS	GOLD
6	LOCK WASHER	BRASS	GOLD
5	FERRULE	BRASS	GOLD
4	CONTACT PIN	BRASS	GOLD
3	BARREL	BRASS	GOLD
2	INSULATOR	PTFE	NATURAL
1	BODY	BRASS	GOLD

UNLESS OTHERWISE SPECIFIED DIMENSIONS ARE IN MILLIMETERS. DIMENSIONS IN [ ] ARE IN INCHES AND FOR CUSTOMER REFERENCE ONLY.

UNLESS OTHERWISE SPECIFIED TOLERANCES FOR MILLIMETERS ARE:  
0.5 - 8mm ± 0.20mm  
8 - 30mm ± 0.40mm  
30 - 120mm ± 0.50mm

UNLESS OTHERWISE SPECIFIED TOLERANCES FOR INCHES ARE:  
.020 - .315 = ± 0.007"  
.315 - 1.180 = ± 0.015"  
1.180 - 4.724 = ± 0.020"

DO NOT SCALE DRAWING

APPROVALS	DATE
DRAWN TANGOR	02/11/10
CHECKED	
ISSUED	
SHEET 1 OF 1	
CAD FILE C:/CONNEX/142191.DWG	

**Amphenol Connex**

PART DESCRIPTION  
**SMB BULKHEAD CRIMP JACK  
(FOR RG-174/U, 188A/U, 316/U)**

PART NO. **142191**

DWG. NO. 142191.DWG    REV. C    SIZE A    SCALE NA