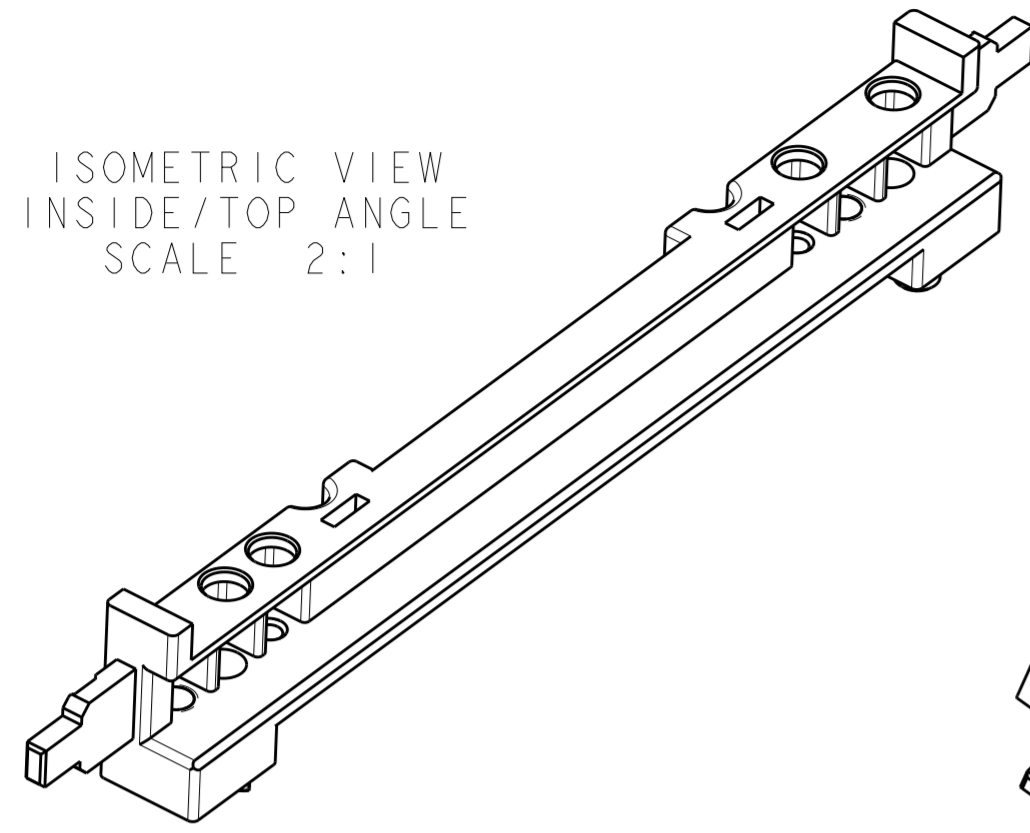


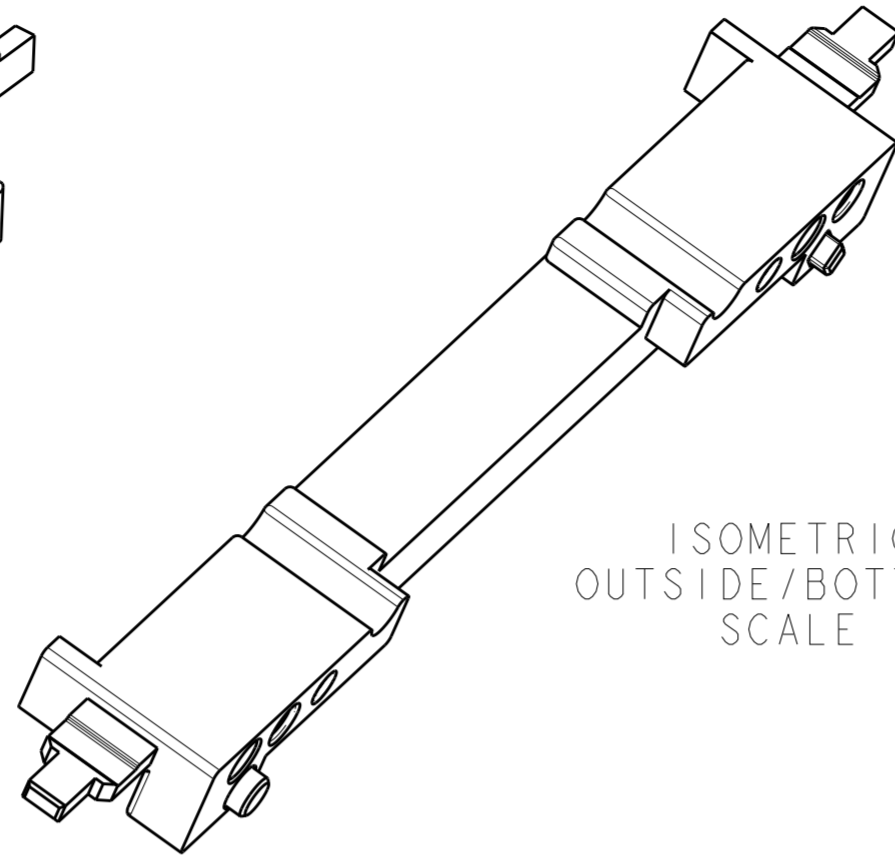
THIS DRAWING IS UNPUBLISHED. RELEASED FOR PUBLICATION 2008  
 © COPYRIGHT 2008 BY - ALL RIGHTS RESERVED.

LOC	DIST	REVISIONS					
GP	00	P	LTR	DESCRIPTION	DATE	DWN	APVD
		A		RELEASED PER ECO-12-006362	15MAY2012	CJV	MRS
		AI		ADD NEW DASH -5 IN SHEET2	12NOV2020	AJ	SH

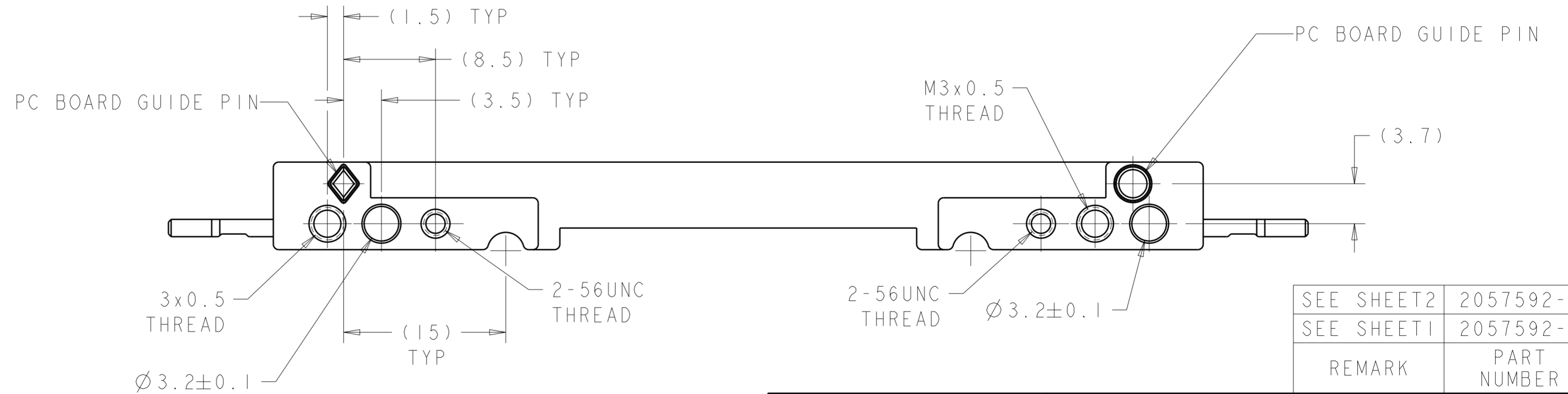
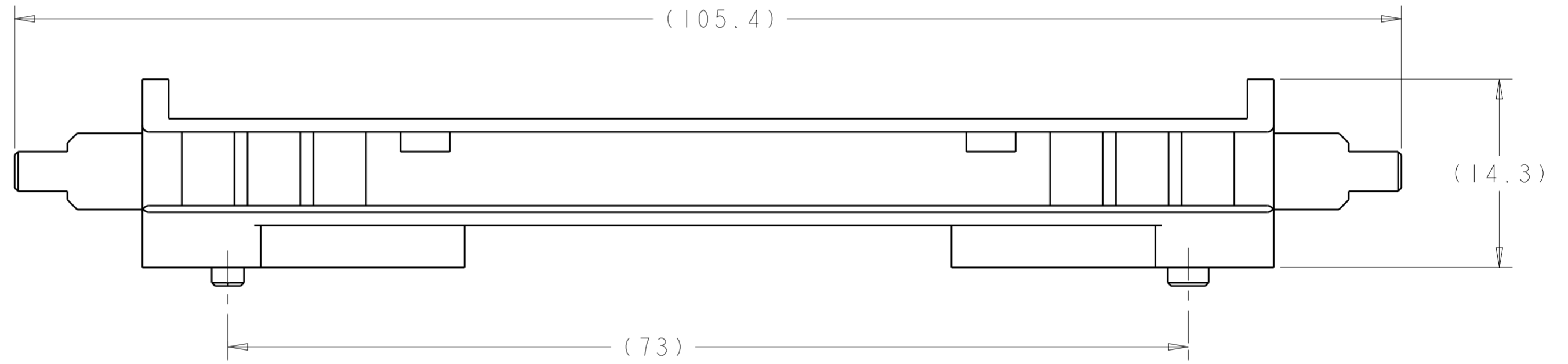
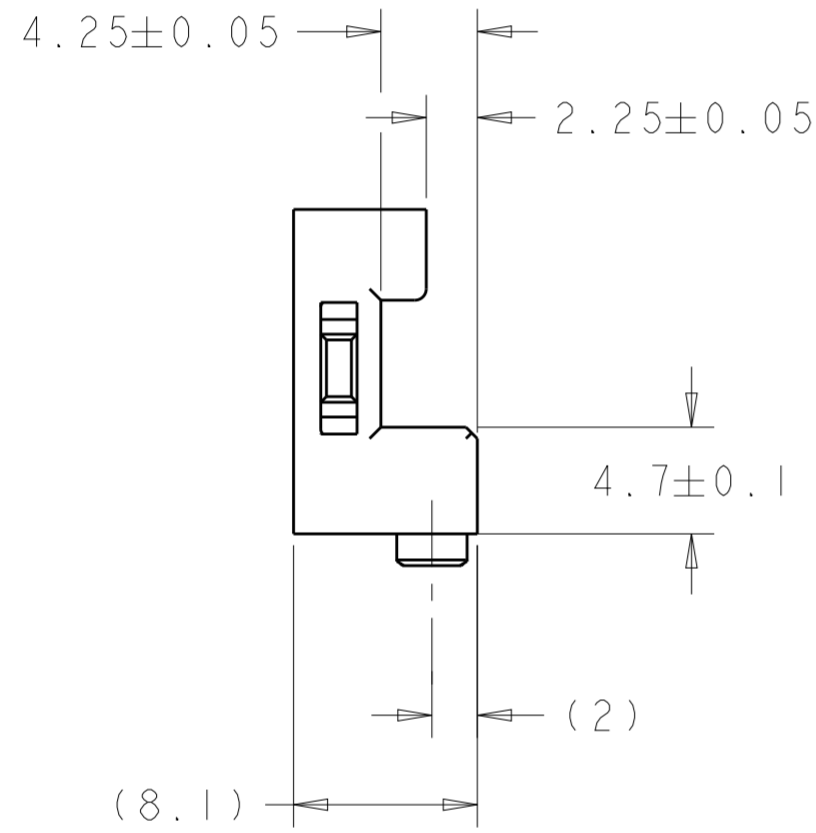
ISOMETRIC VIEW  
 INSIDE/TOP ANGLE  
 SCALE 2:1



ISOMETRIC VIEW  
 OUTSIDE/BOTTOM ANGLE  
 SCALE 2:1



- 1 MATERIAL: ZINC ALLOY PER ASTM B 86, AG40A.
- 2 FINISH: 1.27µm MIN NICKEL PLATE PER QQ-N-290  
 OVER 5.08µm MIN COPPER PLATE PER AMS 2418.



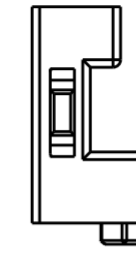
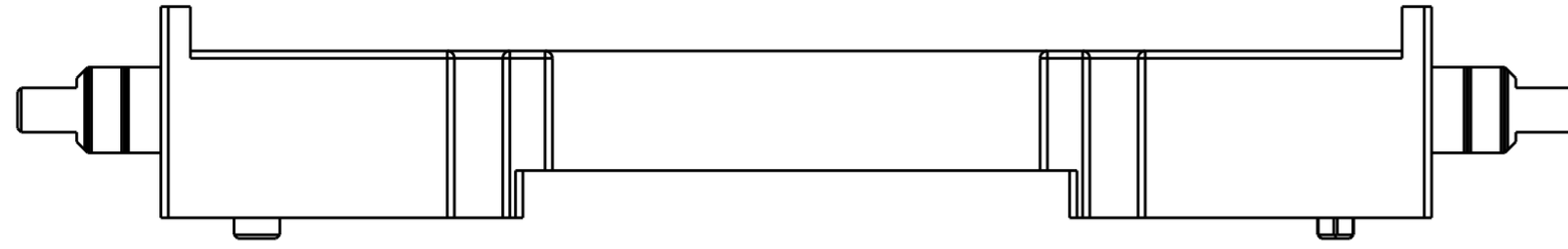
SEE SHEET2	2057592-5
SEE SHEET1	2057592-2
REMARK	PART NUMBER

THIS DRAWING IS A CONTROLLED DOCUMENT. DIMENSIONING AND TOLERANCING PER ASME Y14.5M-2009		DWN C. VALENTINE 11NOV2008	TE Connectivity NAME GUIDE RAIL, 100 GIG PLUGGABLE SIZE CAGE CODE DRAWING NO RESTRICTED TO A200779 C-2057592
DIMENSIONS: mm	TOLERANCES UNLESS OTHERWISE SPECIFIED:	CHK E. BRIGHT 11NOV2008	
0 PLC ±	1 PLC ±	APVD F. BRIGHT 11NOV2008	
1 PLC ±	2 PLC ±	PRODUCT SPEC 108-2399	
2 PLC ±	3 PLC ±	APPLICATION SPEC 114-13263	WEIGHT -
3 PLC ±	4 PLC ±	CUSTOMER DRAWING	SCALE 3:1 SHEET 1 OF 2 REV AI
ANGLES ±	FINISH 2		

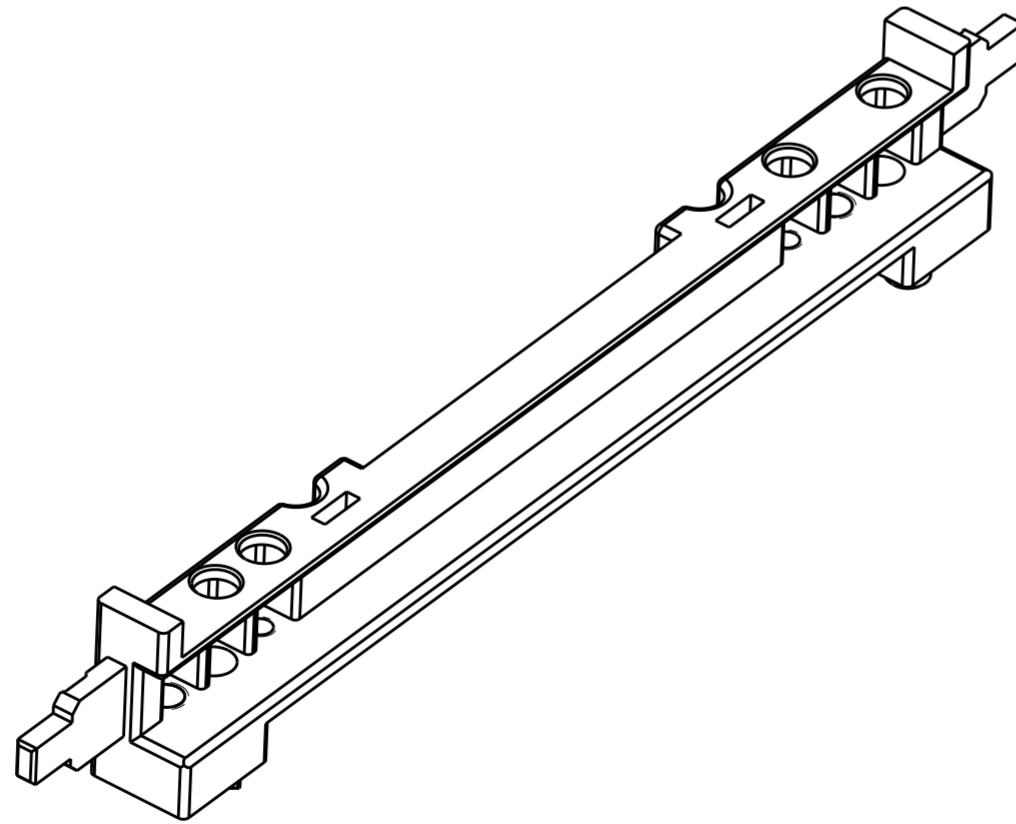
THIS DRAWING IS UNPUBLISHED. RELEASED FOR PUBLICATION 2008  
 © COPYRIGHT 2008 BY - ALL RIGHTS RESERVED.

LOC	DIST	REVISIONS					
GP	00	P	LTR	DESCRIPTION	DATE	DWN	APVD
		-		SEE SHEET 1	-	-	-

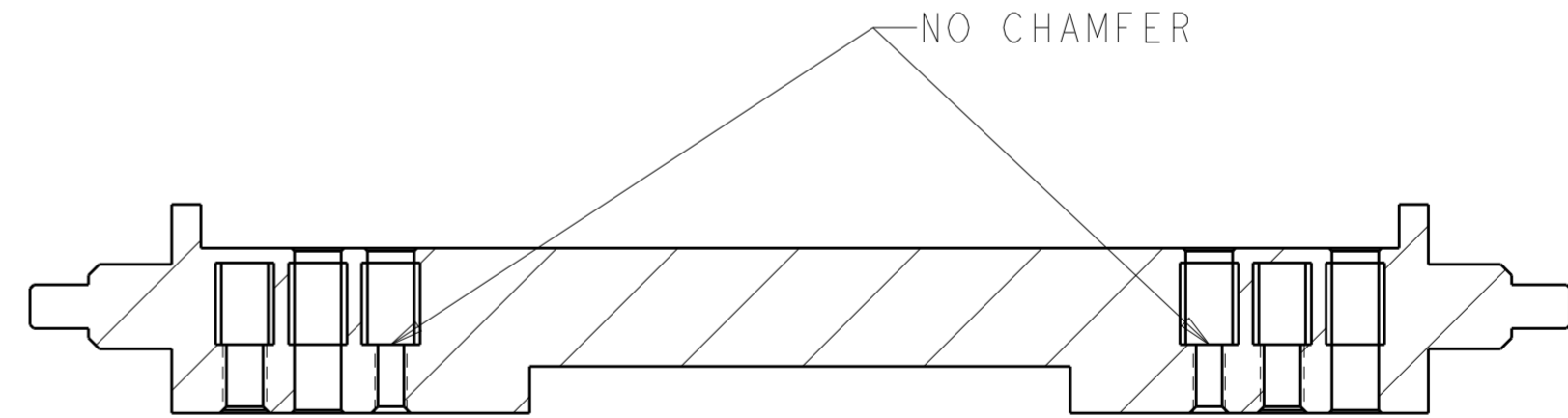
2057592-5 SHOWN IN THIS SHEET  
 SAME AS -2 EXCEPT REMOVE CHAMFER AROUND SCREW HOLES




SCALE 2:1



2057592-5  
 SCALE 2:1



SECTION L-L  
 SCALE 2:1

THIS DRAWING IS A CONTROLLED DOCUMENT.		DWN C. VALENTINE 11NOV2008	 TE Connectivity	
DIMENSIONS: mm		CHK E. BRIGHT 11NOV2008		
TOLERANCES UNLESS OTHERWISE SPECIFIED:		APVD E. BRIGHT 11NOV2008	NAME GUIDE RAIL, 100 GIG PLUGGABLE	
0 PLC ± 1 PLC ± 2 PLC ± 3 PLC ± 4 PLC ± ANGLES ± FINISH		PRODUCT SPEC 108-2399	SIZE -	
MATERIAL		APPLICATION SPEC 114-13263	CAGE CODE A200779	DRAWING NO C-2057592
		WEIGHT -	RESTRICTED TO	
		CUSTOMER DRAWING	SCALE 3:1	SHEET 2 OF 2