

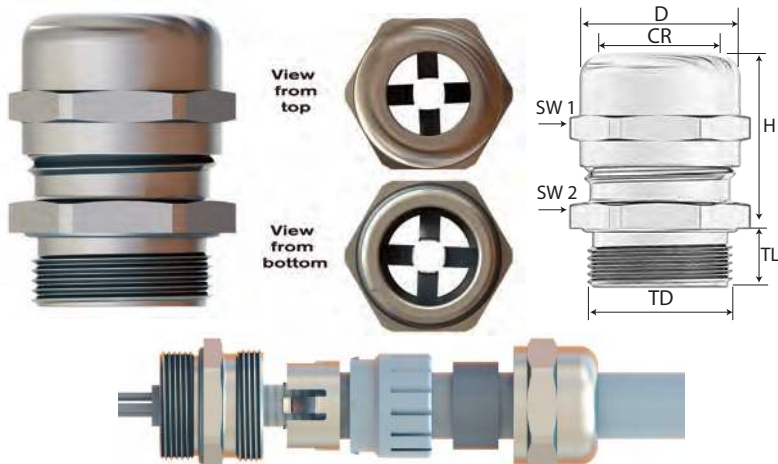
EMC Grounding Cable Glands

CG EMC-2 Metric

Nickel plated brass EMC cable gland, standard & longer thread

Metric Thread

Optimal grounding of shielded cable, easy installation, water tight, impact resistant.



Technical data:

Material:	Brass, Nickel Plated
Contact spring:	Special Copper Alloy
Clamping Insert:	Polyamide 6
Seal:	Chloroprene (CR)
O-Ring:	Neoprene (NBR)
Protection type:	IP 68 - 5 Bar NEMA 4X
Temperature range:	<i>permanent:</i> -20°C to +100°C <i>intermittent:</i> -40°C to +150°C
Flammability:	V2 (according to UL 94)
Approvals:	cURus, cULus, VDE, DNV-GL, CE



Part Number	Thread Type	Clamping Range Ø min-max (CR)		Outer Ø (D) inches	Shield Diameter (Ø min)		Wrenching Flats		Thread Diameter (TD) inches	Thread Length (TL) inches	Max. Height (H) inches	UL
		inches	mm		inches	mm	Cap (SW1) inches	Body (SW2) inches				
Metric												
EM2-12	M12x1.5	0.118 - 0.256	3.0 - 6.5	0.610	0.098	2.5	0.551	0.551	0.472	0.236	0.945	cURus
EM2-16	M16x1.5	0.157 - 0.315	4.0 - 8.0	0.787	0.138	3.5	0.669	0.709	0.630	0.276	1.004	cURus
EM2-16C	M16x1.5	0.197 - 0.394	5.0 - 10.0	0.866	0.157	4.0	0.787	0.787	0.630	0.256	1.240	cURus
EM2-20	M20x1.5	0.236 - 0.472	6.0 - 12.0	0.965	0.197	5.0	0.866	0.866	0.787	0.315	1.043	cURus
EM2-25	M25x1.5	0.394 - 0.551	10.0 - 14.0	1.181	0.335	8.5	0.945	1.063	0.984	0.315	1.181	cULus
EM2-25C	M25x1.5	0.512 - 0.709	13.0 - 18.0	1.299	0.433	11	1.181	1.181	0.984	0.315	1.575	cULus
EM2-32	M32x1.5	0.512 - 0.709	13.0 - 18.0	1.476	0.433	11	1.181	1.339	1.260	0.354	1.378	cULus
EM2-32C	M32x1.5	0.709 - 0.984	18.0 - 25.0	1.752	0.630	16	1.575	1.575	1.260	0.354	1.811	cULus
EM2-40	M40x1.5	0.709 - 0.984	18.0 - 25.0	1.909	0.630	16	1.575	1.693	1.575	0.354	1.594	cULus
EM2-40C	M40x1.5	0.866 - 1.260	22.0 - 32.0	2.185	0.787	20	1.969	1.969	1.575	0.354	2.146	cULus
EM2-50	M50x1.5	0.866 - 1.260	22.0 - 32.0	2.402	0.787	20	1.969	2.165	1.969	0.354	1.969	cULus
EM2-50C	M50x1.5	1.063 - 1.732	27.0 - 44.0	2.165	1.024	26	1.969	2.165	1.969	0.354	1.969	-
EM2-63	M63x1.5	1.339 - 1.732	34.0 - 44.0	2.953	1.220	31	2.520	2.677	2.480	0.551	2.165	cULus
Metric with Long Thread *												
EM2-12L	M12x1.5	0.118 - 0.256	3.0 - 6.5	0.610	0.098	2.5	0.551	0.551	0.472	0.472	0.945	-
EM2-16L	M16x1.5	0.157 - 0.315	4.0 - 8.0	0.787	0.138	3.5	0.669	0.709	0.630	0.472	1.004	-
EM2-20L	M20x1.5	0.236 - 0.472	6.0 - 12.0	0.965	0.197	5.0	0.866	0.866	0.787	0.472	1.043	-
EM2-25L	M25x1.5	0.394 - 0.551	10.0 - 14.0	1.181	0.335	8.5	0.945	1.063	0.984	0.472	1.181	-
EM2-32L	M32x1.5	0.512 - 0.709	13.0 - 18.0	1.476	0.433	11	1.181	1.339	1.260	0.591	1.378	-
EM2-40L	M40x1.5	0.709 - 0.984	18.0 - 25.0	1.909	0.630	16	1.575	1.693	1.575	0.591	1.594	-
EM2-50L	M50x1.5	0.866 - 1.260	22.0 - 32.0	2.402	0.787	20	1.969	2.165	1.969	0.591	1.969	-
EM2-63L	M63x1.5	1.339 - 1.732	34.0 - 44.0	2.953	1.220	31	2.520	2.677	2.480	0.709	2.165	-

* Long thread version is not NEMA 4X rated

Locknuts need to be purchased separately, see page N/27