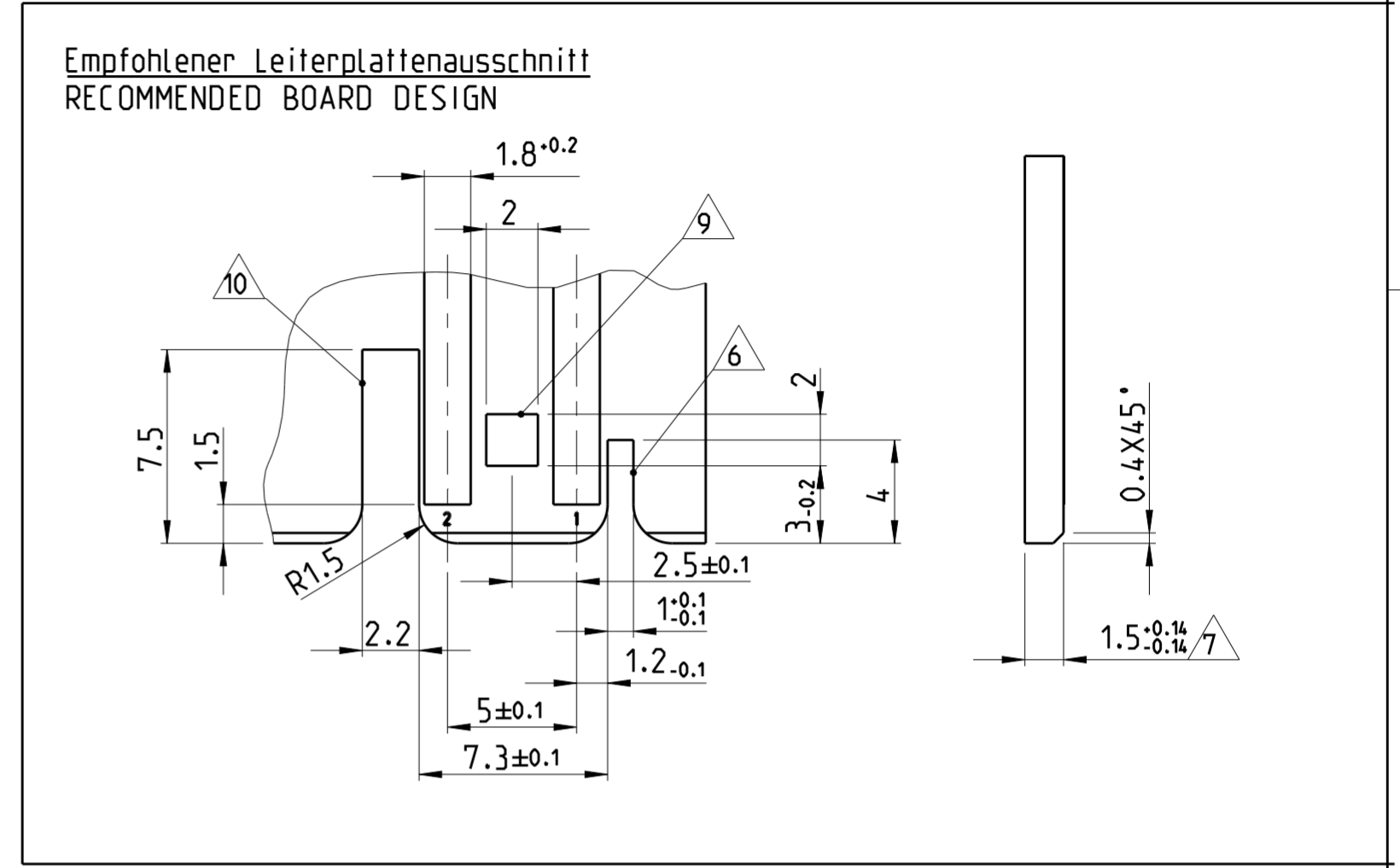
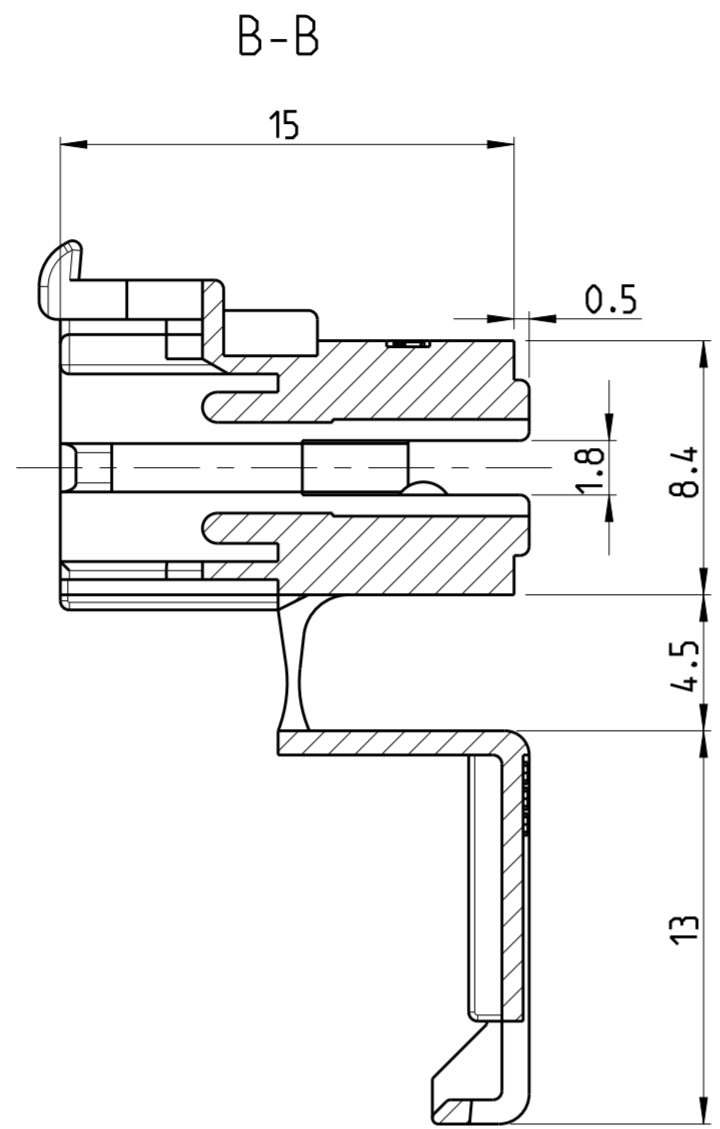
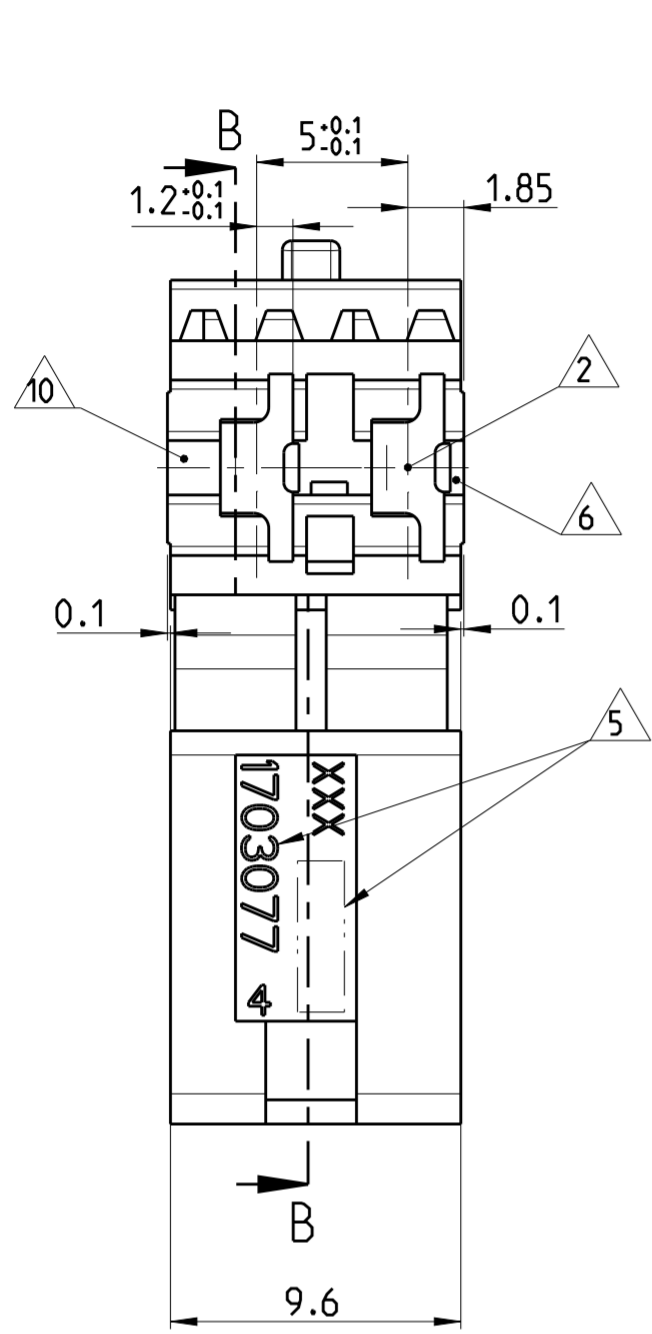


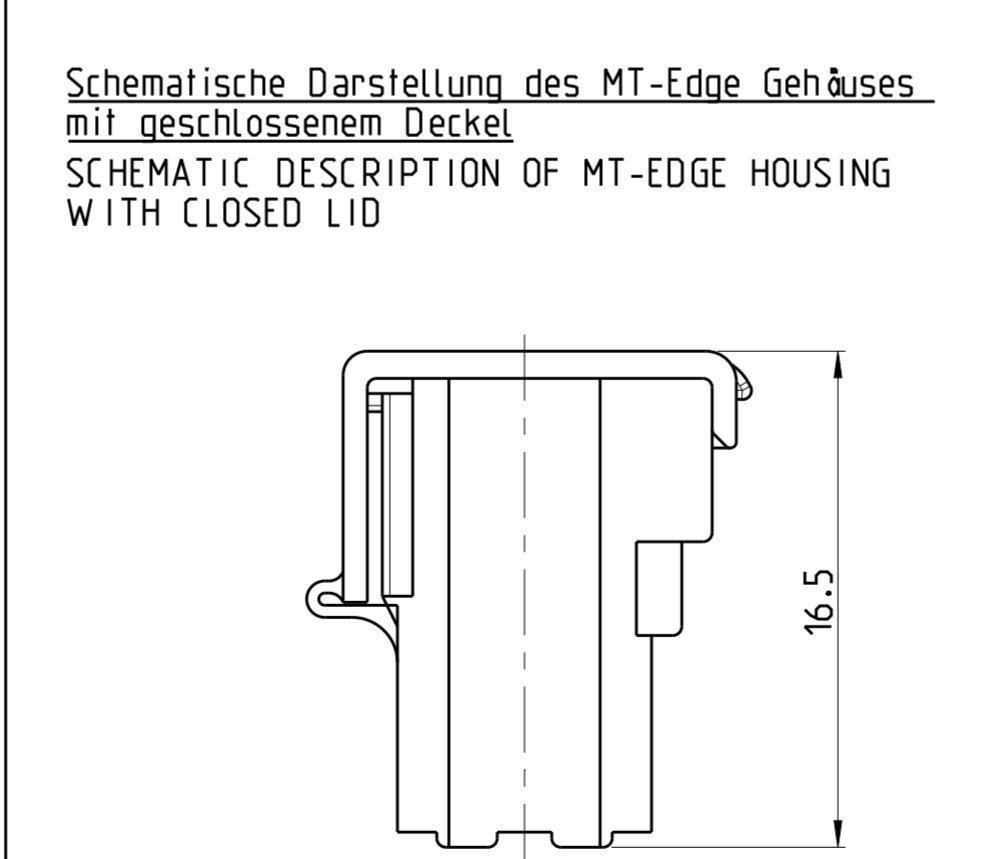
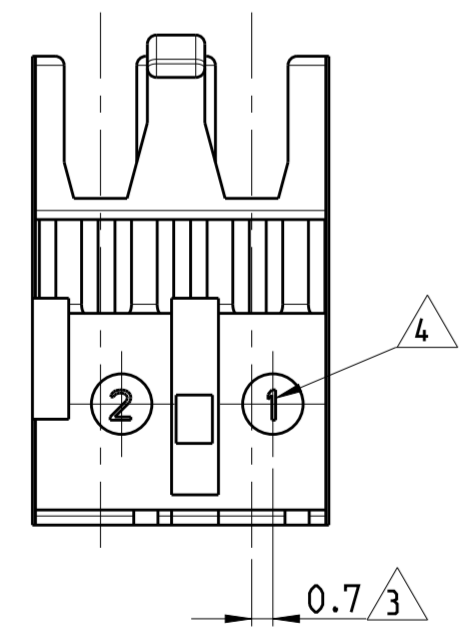
THIS DRAWING IS UNPUBLISHED. RELEASED FOR PUBLICATION
 © COPYRIGHT copyright_date BY - ALL RIGHTS RESERVED.

REVISIONS					
P	LTR	DESCRIPTION	DATE	DWN	APVD
C		INITIAL RELEASE	06AUG2013	MKD	RRP



- Bemerkungen**
NOTES
- 1 Massgebend ist der deutsche Text
ONLY THE GERMAN-LANGUAGE VERSION SHALL BE BINDING
 - 2 Lage des Kontaktpunktes auf der Leiterplatte; Abweichung ±0.4
POSITION OF CONTACT POINT ON BOARD: DEVIATION ±0.4
 - 3 Kontaktierung zur Drahtmitte um 0.7mm versetzt
CONTACTING 0.7mm DISPLACED TO WIRE CENTRELINE
 - 4 Kontaktkammer-Nr.
CONTACT CAVITY #
 - 5 Firmenlogo und Leergehäuse-Nr.
ARTWORK LOGO AND HOUSING # (NON LOADED)
 - 6 Kodersteg Vor Erster Kammer
KEYING RIB BEFORE FIRST CAVITY
 - 7 Ausführung nach DIN 60249-2-4
BOARD DESIGN ACCORDING TO DIN 60249-2-4
 - 8 Crimp Kontakt-Nr.:
Material: CuSn4 926770-1, 926917-1
CRIMP CONTACT #: MATERIAL: CuSn4
 - 9 SQUARE HOLE 2X2 mm OPTIONAL LOCKING HOLE Ø2.5 mm
 - 10 Kodersteg Nach Letzter Kammer
KEYING RIB AFTER LAST CAVITY
 - 11 MATERIAL ACCORDING TO IEC 60335-1 (INCLUDING GWT 750 °C NO FLAME)

1-1703077-1	11	MT-EDGE HOUSING	NATURE
PART-NO.:		DESCRIPTION	COLOUR



THIS DRAWING IS A CONTROLLED DOCUMENT.		DWN DHANESH 06-Aug-13	TE Connectivity	
DIMENSIONS: mm		CHK DHANESH 06-Aug-13		
TOLERANCES UNLESS OTHERWISE SPECIFIED:		APVD RAJENDRA 06-Aug-13		
0 PLC ±	±0.2	PRODUCT SPEC	NAME 2- WAYS MT- EDGE - HOUSING LOOSE PIECE VERSION	
1 PLC ±	±	108-18003	SIZE CAGE CODE DRAWING NO RESTRICTED TO	
2 PLC ±	±	APPLICATION SPEC	A2 00779 C-1703077	
3 PLC ±	±	114-18002	SCALE 4:1 SHEET 1 OF 1 REV C	
4 PLC ±	±	WEIGHT -		
ANGLES FINISH	±	CUSTOMER DRAWING		
11 PA6/ UL94 V2				