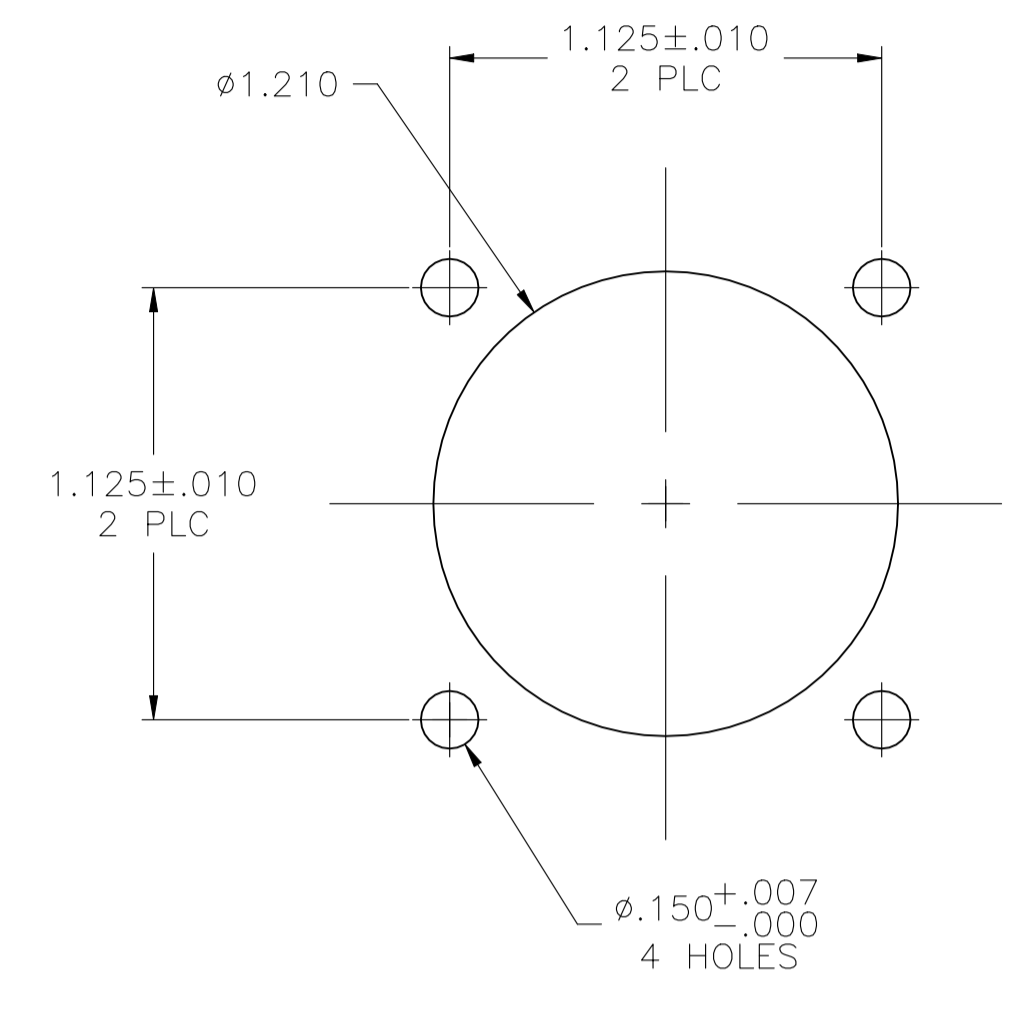
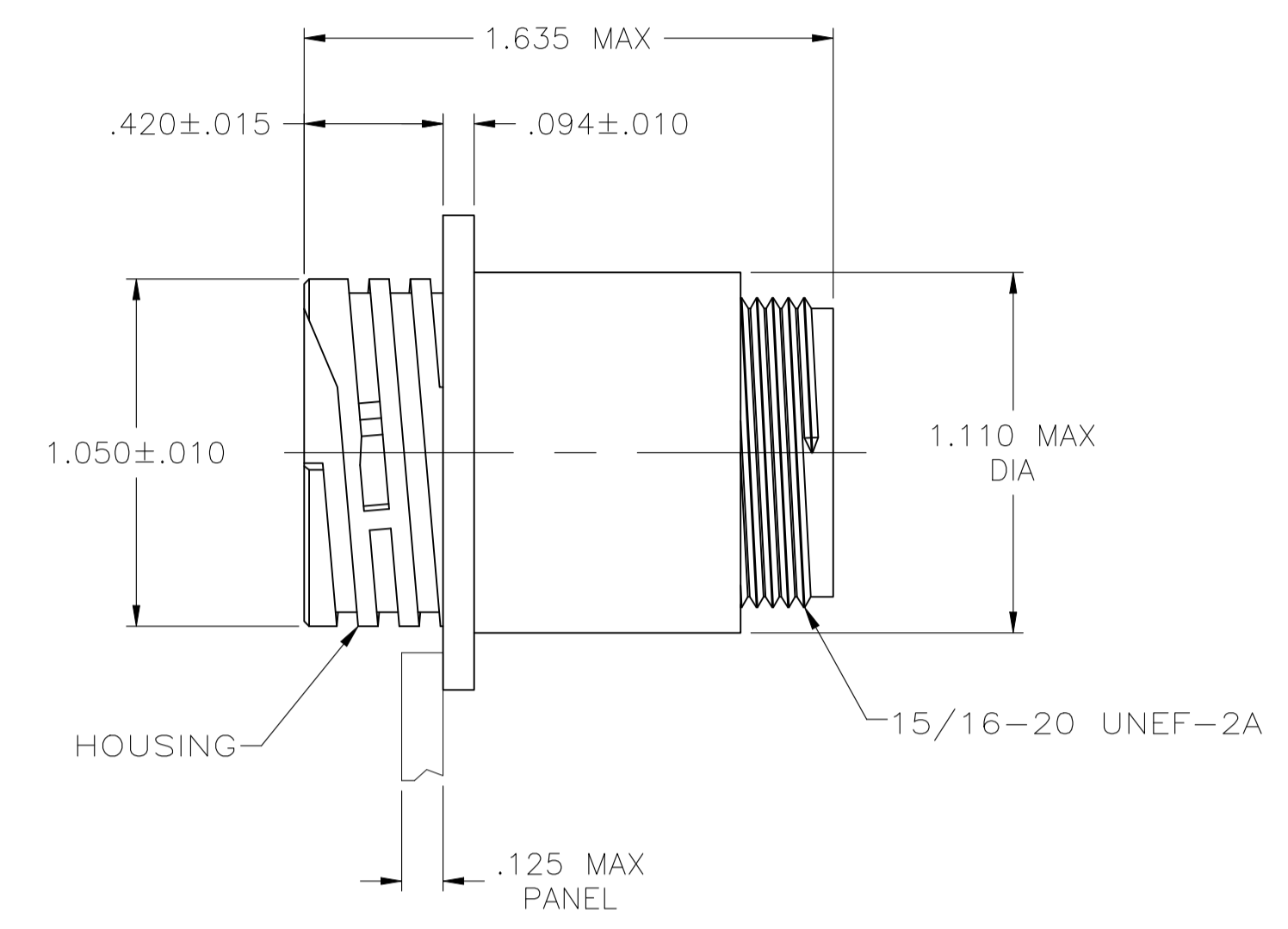
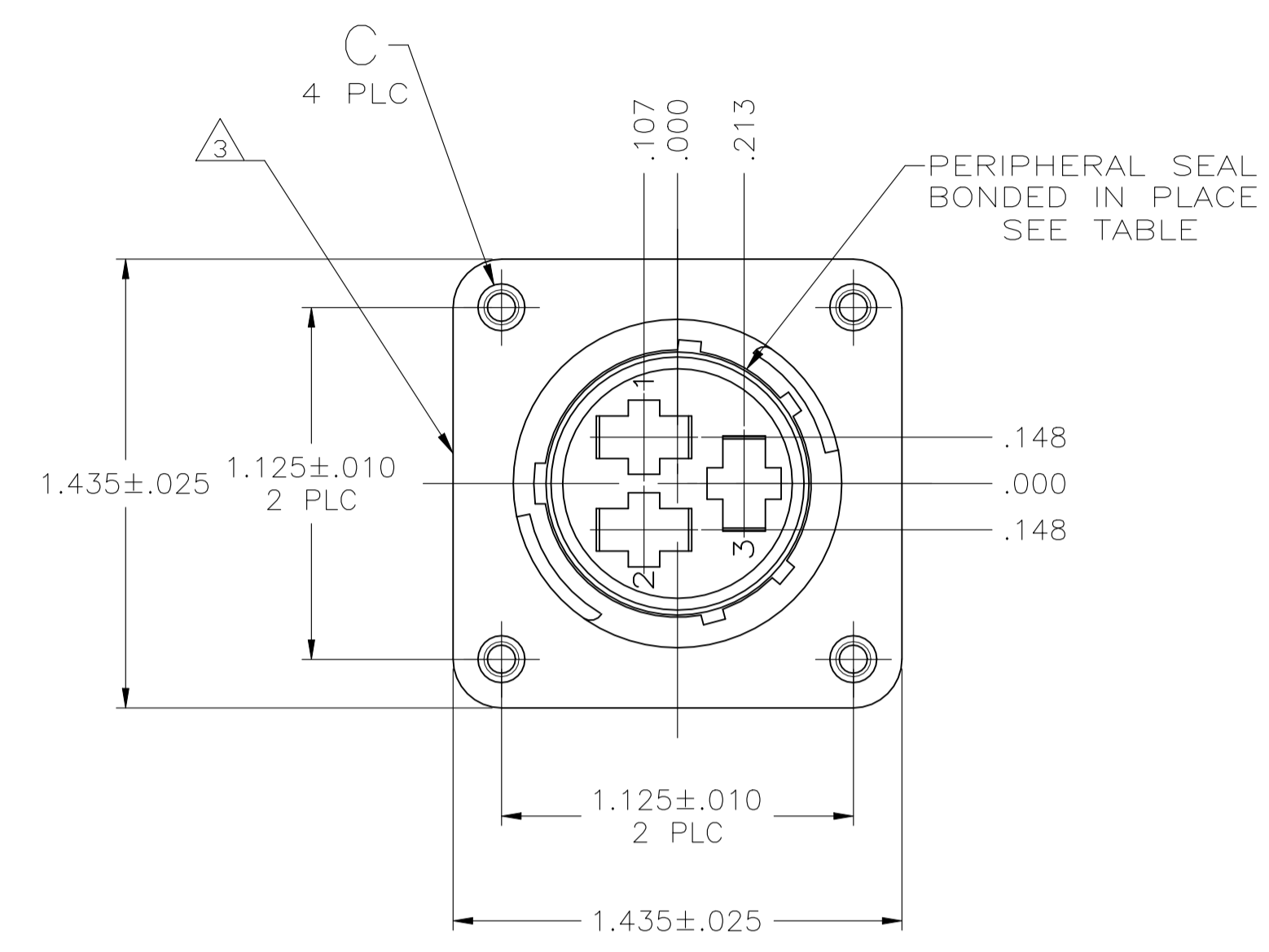
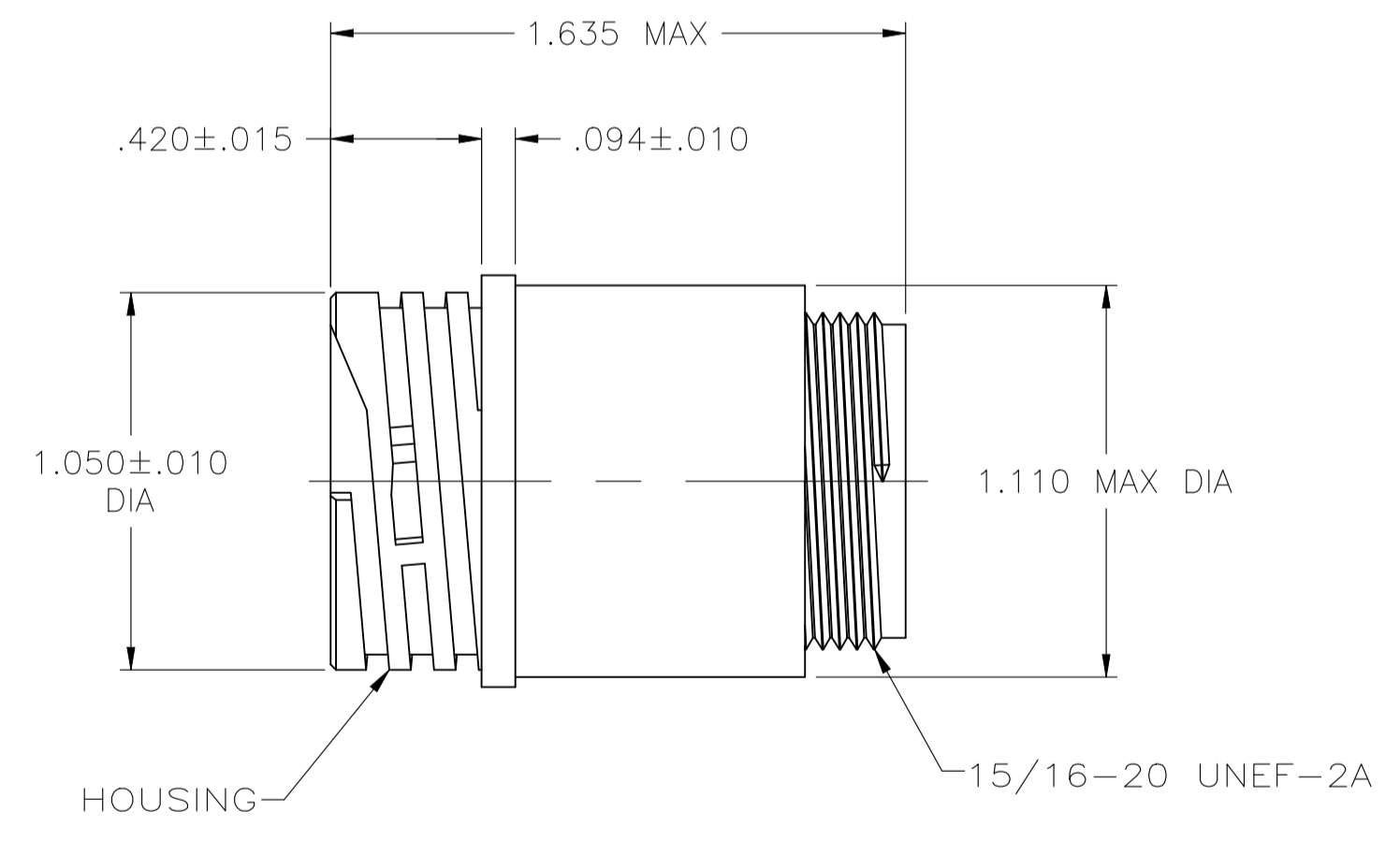
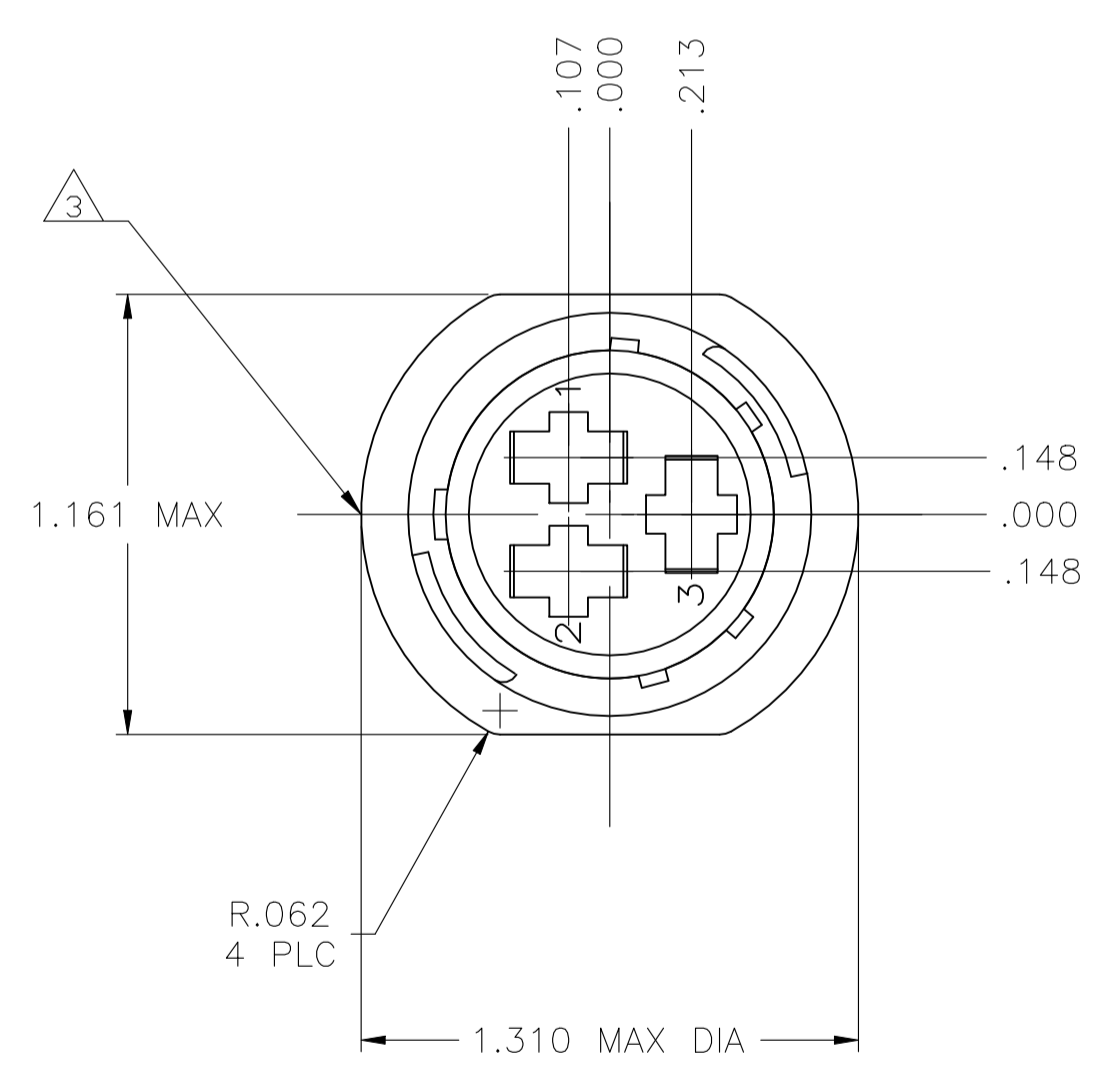


REVISIONS				
P	LTR	DESCRIPTION	DATE	APVD
K1		REVISED PER ECN-23-199892	01MAR2023	RK MZ



DETAIL A

RECOMMENDED PANEL CUTOUT



DETAIL B

- NOTES:**
- CAVITY IDENTIFICATION ON FRONT AND REAR FACE.
 - WILL ACCEPT (3) TYPE XII SOCKET CONTACTS.
 - TE LOGO AND PART NUMBER CAN BE LOCATED ON ANY FLANGE EDGE.

- 4 MATERIALS.**
- HOUSING USED ON 206425-1, 206425-2, 206425-3, 206425-5: PA66, BLACK
 HOUSING USED ON 206425-6: POLYESTER, BLACK
 PERIPHERAL SEAL: NITRILE BUTADIENE RUBBER, BLACK
 THREADED INSERTS: BRASS

$\phi .150$ HOLES	NO	A	206425-6
4-40 THREADED INSERTS	NO	A	206425-5
$\phi .150$ HOLES	YES	A	206425-3
-	NO	B	206425-2
$\phi .150$ HOLES	NO	A	206425-1
C	PERIPHERAL SEAL	SEE DETAIL	PART NUMBER

THIS DRAWING IS A CONTROLLED DOCUMENT.		DIN M BINNER 06/01/94	TE Connectivity	
DIMENSIONS: INCHES		CHK R. STONE 6-23-94	RECEPTACLE HOUSING, REVERSE SEX, SHELL SIZE 17, CPC	
TOLERANCES UNLESS OTHERWISE SPECIFIED:		APVD	PRODUCT SPEC 108-10024	
0 PLC ± -		APPLICATION SPEC		
1 PLC ± -		SIZE CAGE CODE DRAWING NO		
2 PLC ± .005		WEIGHT A1 00779 C=206425		
3 PLC ± -		CUSTOMER DRAWING		
4 PLC ± -		SCALE 2:1 SHEET 1 of 1 REV K1		
ANGLES ± -				
FINISH -				