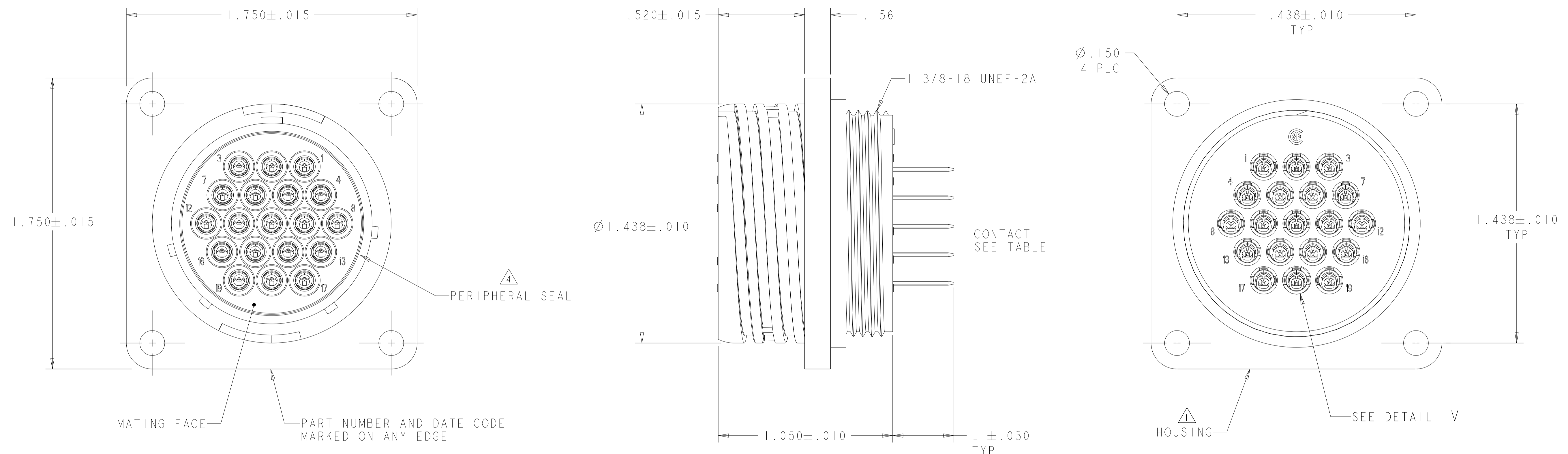


REVISIONS				
P	LTN	DESCRIPTION	DATE	APVD
P2		REVISED PER ECR-22-150475	29AUG2022	RK MZ



- △ HOUSING: NYLON, UL 94 V-0 RATED, COLOR: BLACK.
- △ CONTACT:
 BODY - BRASS, .000030 MIN GOLD FOR A LENGTH OF .200 MIN FROM MATING END, GOLD FLASH ON REMAINDER, BOTH OVER .000050 MIN NICKEL.
 POST - BRASS, .000100 MIN TIN-LEAD OVER .000050 MIN NICKEL.
- △ CONTACT:
 BODY - BRASS, .000100 MIN TIN-LEAD OVER .000050 MIN NICKEL.
 POST - BRASS, .000100 MIN TIN-LEAD OVER .000050 MIN NICKEL.
- △ PERIPHERAL SEAL: ELASTOMER, COLOR: BLACK.
- △ .009 MAXIMUM CONTACT LEAD-IN SEAM GAP PERMISSIBLE ON MATING FACE END.
- △ CONTACT:
 BODY - BRASS, .000030 MIN GOLD OVER .000030 MIN NICKEL.
 POST - BRASS, .000100 MIN TIN-LEAD OVER .000050 MIN NICKEL.
- △ CONTACT:
 BODY - BRASS, .000100 MIN TIN OVER .000050 MIN NICKEL.
 POST - BRASS, .000100 MIN TIN OVER .000050 MIN NICKEL.
- △ CONTACT:
 BODY - BRASS, .000030 MIN GOLD FOR A LENGTH OF .200 MIN FROM MATING END, GOLD FLASH ON REMAINDER, BOTH OVER .000050 MIN NICKEL.
 POST - BRASS, .000100 MIN TIN OVER .000050 MIN NICKEL.
- △ OBSOLETE PARTS

	YES	.368	△8	1-4,7,8,10-12,14-19	1-213781-0
OBSOLETE	NO	.557	△8	ALL	1-213781-9
OBSOLETE	NO	.348	△7	ALL	1-213781-8
	YES	.368	△7	1-4,7,8,10-12,16-19	213781-7
△9 OBSOLETE	YES	.368	△6	1-4,7,8,10-12,16-19	1-213781-6
OBSOLETE	YES	.368	△3	1-4,7,8,10-12,16-19	1-213781-5
OBSOLETE	YES	.368	△3	1-4,7,8,10-12,16-19	1-213781-4
OBSOLETE	YES	.368	△3	1-4,7,8,10-12,16-19	1-213781-2
OBSOLETE	NO	.557	△2	ALL	1-213781-1
	PERIPHERAL SEAL	L	CONTACT FINISH	SELECT LOADED IN POSITIONS	PART NUMBER

THIS DRAWING IS A CONTROLLED DOCUMENT.

OWN: S. WELDON ZIMAY2003
 CHK: S. HEADER ZIMAY2003
 APVD: S. HEADER ZIMAY2003

DIMENSIONS: INCHES
 TOLERANCES UNLESS OTHERWISE SPECIFIED:
 0 PLC ±.0
 1 PLC ±.00
 2 PLC ±.00
 3 PLC ±.0000
 4 PLC ±.0000
 ANGLES ±.0000
 FINISH

MATERIAL: -
 FINISH: -

WEIGHT: -
 CUSTOMER DRAWING

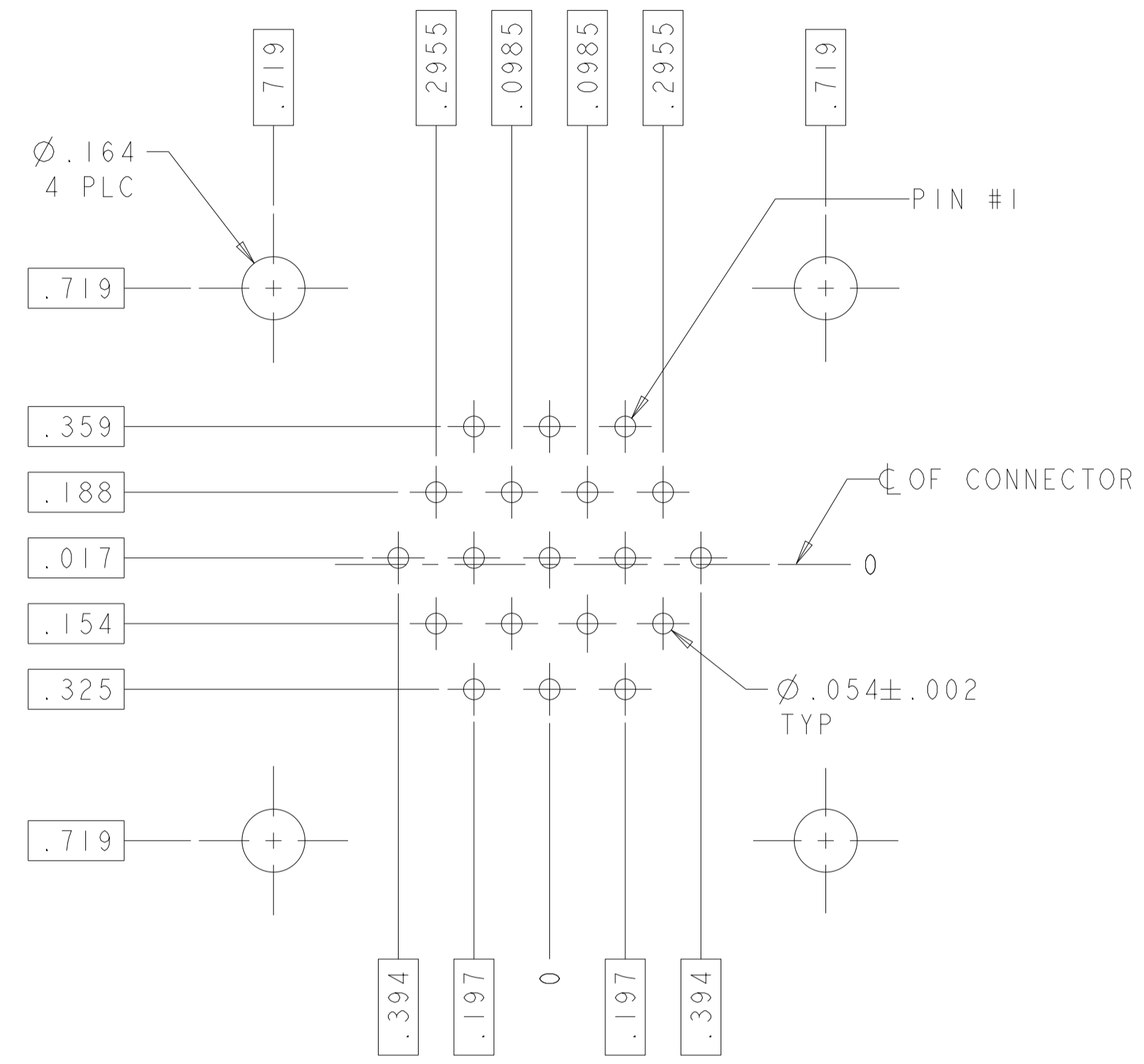
NAME: RECEPTACLE ASSEMBLY, POSTED, REVERSE SEX, SERIES 1, 23-19, CPC

SIZE: A | 00779 | C=213781 | DRAWING NO: 114-10038

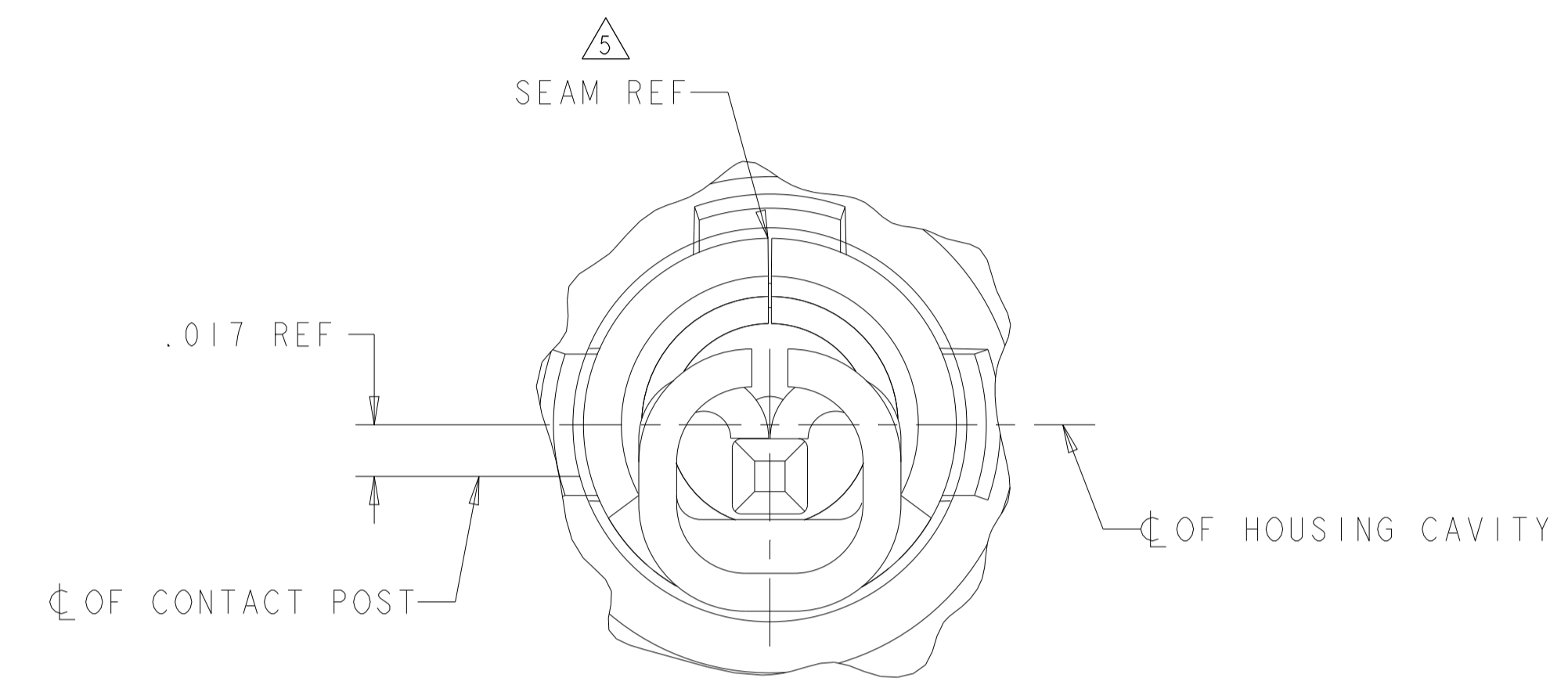
RESTRICTED TO: -

SCALE: 3:1 | SHEET: 1 OF 2 | REV: P2

REVISIONS				
P	LTN	DESCRIPTION	DATE	APVD
-		SEE SHEET 1	-	-



RECOMMENDED PC BOARD LAYOUT



DETAIL V
SCALE 20:1

THIS DRAWING IS A CONTROLLED DOCUMENT.		DWN S. WELDON ZIMAY2003	
		CHK S. HEADER ZIMAY2003	
DIMENSIONS:	TOLERANCES UNLESS OTHERWISE SPECIFIED:	APVD S. HEADER ZIMAY2003	NAME
INCHES	0 PLC ±.0	PRODUCT SPEC	RECEPTACLE ASSEMBLY, POSTED,
	1 PLC ±0.0	APPLICATION SPEC	REVERSE SEX, SERIES 1, 23-19, CPC
	2 PLC ±0.00	SIZE	
	3 PLC ±0.000	CAGE CODE	
	4 PLC ±0.0000	DRAWING NO	
	ANGLES ±.0000	RESTRICTED TO	
	FINISH ±.	SCALE	
MATERIAL		WEIGHT	
		CUSTOMER DRAWING	