

**TECHNICAL DATA:**  
 M12 CAT6A RECEPTACLE BACK MOUNT PCB 360° SHIELDED.  
 SUITED FOR WAVE APPLICATION.

POLES : 8  
 MAX. VOLTAGE : 48V  
 MAX. CURRENT : 0.5A  
 CONTACT RESISTANCE : <5mΩ  
 INSULATION WITHSTAND : >100m Ω  
 PROTECTION : IP67  
 TEMPERATURE RANGE : -40°C TO 85°C  
 TRANSMISSION CHARACTERISTICS :  
 (category) CAT6<sub>A</sub>

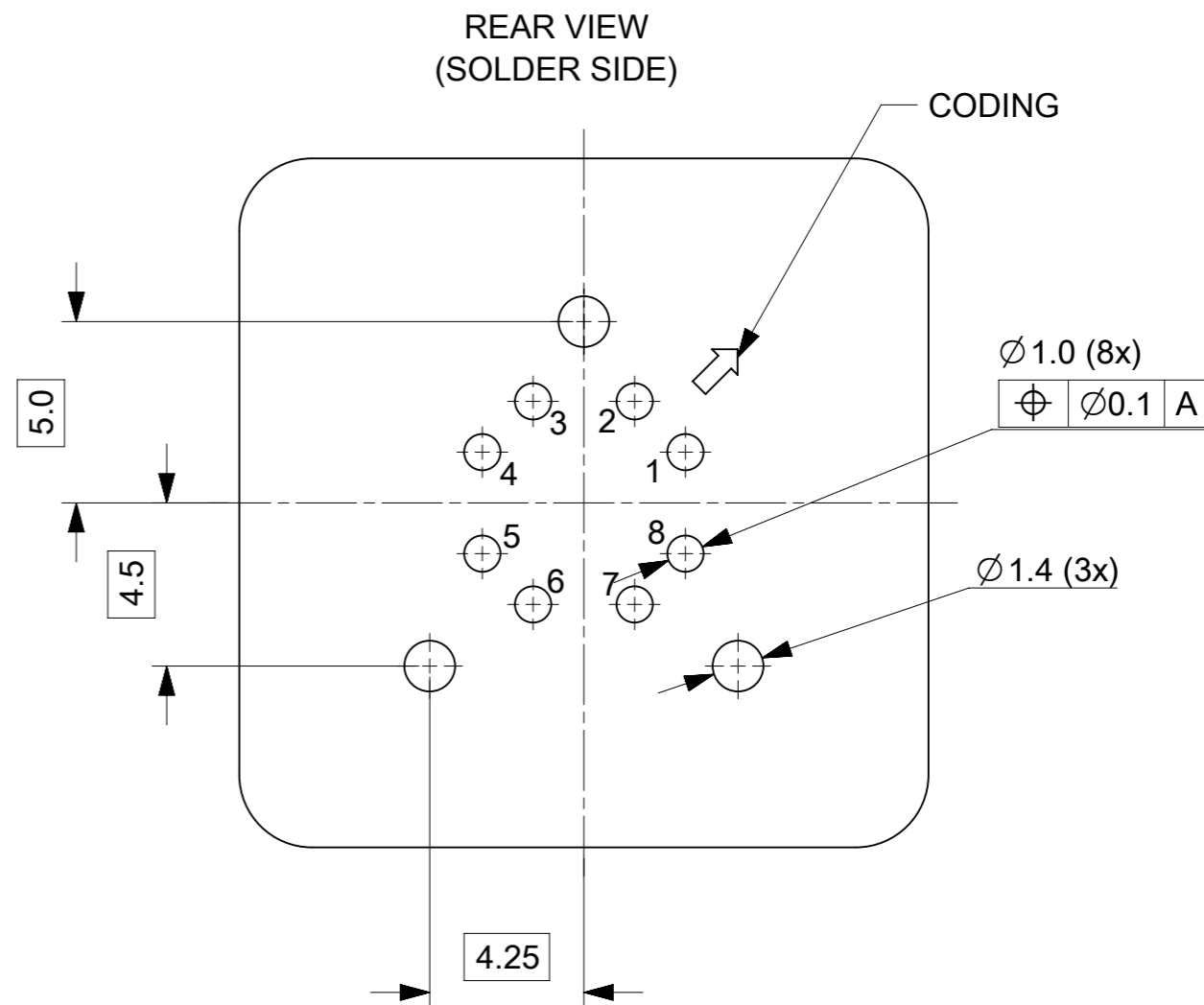
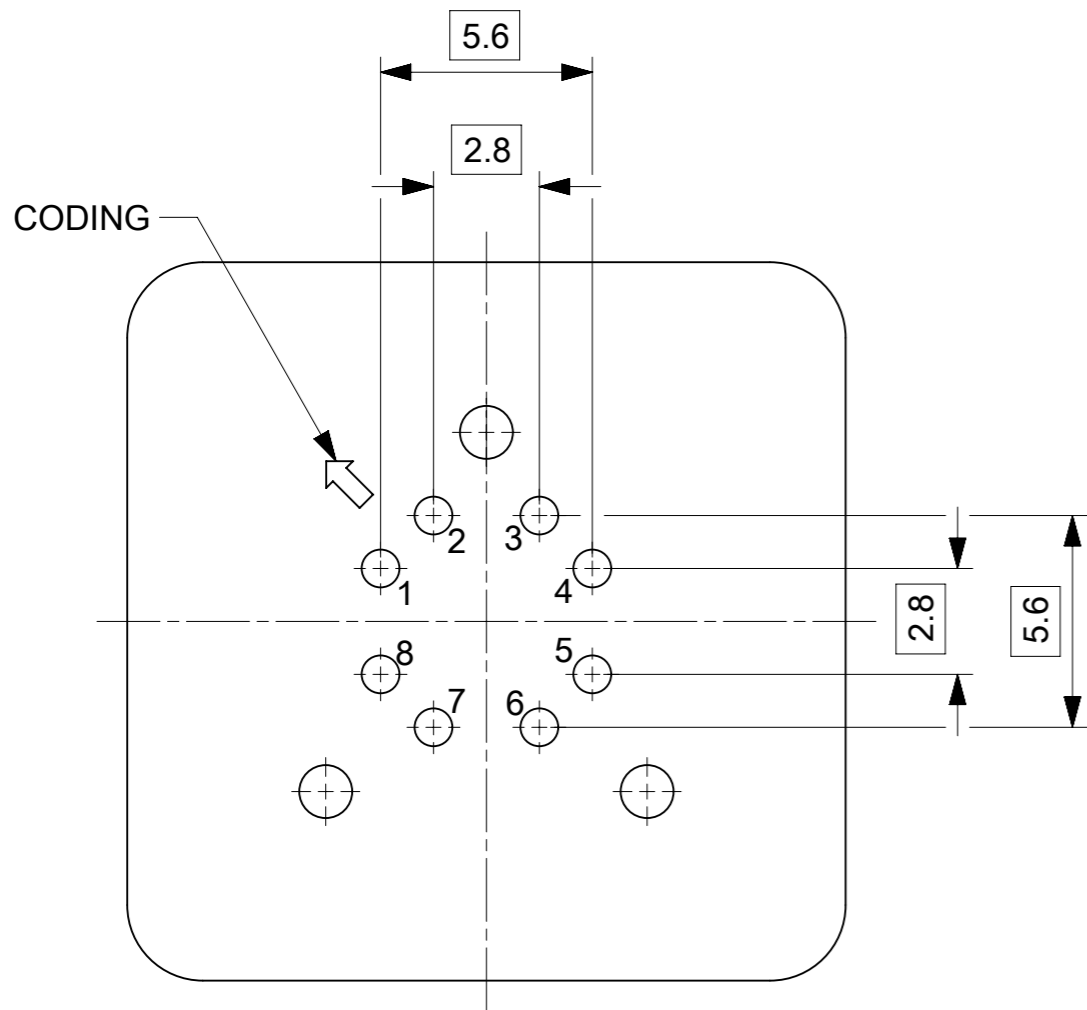
FOR PRODUCT SPECIFICATION SEE : PS-120341-001

**PACKAGING:**  
 THE RECEPTACLE AND HOUSING ARE DELIVERED IN BLISTER  
 PACKS A 25 PARTS.  
 8 BLISTER PACKAGES PER CARTON.  
 ALL TOGETHER 200 PARTS.  
 THE O-RINGS AND LOCK NUT ARE DELIVERED SEPARATE IN  
 PLASTIC BAGS BUT IN SAME CARTON.

**BOM**

ITEM	QTY	DESCRIPTION	MATERIAL	FINISH
8	1	LOCK NUT	BRASS	Ni-PLATED
7	1	O-RING 10.3x1.2	EPDM	BLACK
6	1	O-RING 7.0x1.35	FPM	RED
5	1	HOUSING	BRASS	Ni-PLATED
4	8	CONTACT	BRASS	GOLD OVER Ni
3	1	SPRING	SS	-
2	1	SCHIELDING CROSS	BRASS	Ni-PLATED
1	1	INSERT	PA	BLACK

FUNCTIONAL SYMBOLS ▽A = 0 ▽E = 0 ▽F = 0	THIS DRAWING CONTAINS INFORMATION THAT IS PROPRIETARY TO MOLEX ELECTRONIC TECHNOLOGIES, LLC AND SHOULD NOT BE USED WITHOUT WRITTEN PERMISSION	CURRENT REV DESC: DIMENSIONS ADDED		<b>molex</b>			
	DIMENSION UNITS: mm	SCALE: 5:1	EC NO: 698856				M12 CAT6A REC ASSY FRONT MOUNT
DIVISIONAL SYMBOLS	GENERAL TOLERANCES (UNLESS SPECIFIED)	4 PLACES ±	DRWN: RSCHIEBER	2022/03/09	PRODUCT CUSTOMER DRAWING		
	ANGULAR TOL ± 1.0°	3 PLACES ±	CHK'D: RSILLER	2022/03/09	DOCUMENT NUMBER: 1203410075		
	2 PLACES ± 0.05	2 PLACES ±	APPR: RSILLER	2022/03/09	DOC TYPE: PSD	DOC PART: 000	REVISION: A
	1 PLACE ± 0.3	1 PLACE ±	INITIAL REVISION:		MATERIAL NUMBER: 120341		
	0 PLACES ±	0 PLACES ±	DRWN: MDHARMANTI	2021/03/03	CUSTOMER: GENERAL MARKET		
	DRAFT WHERE APPLICABLE MUST REMAIN WITHIN DIMENSIONS	THIRD ANGLE PROJECTION	APPR: RSILLER	2021/05/18	SHEET NUMBER: 1 OF 3		
			DRAWING: A3-SIZE	SERIES: 120341			



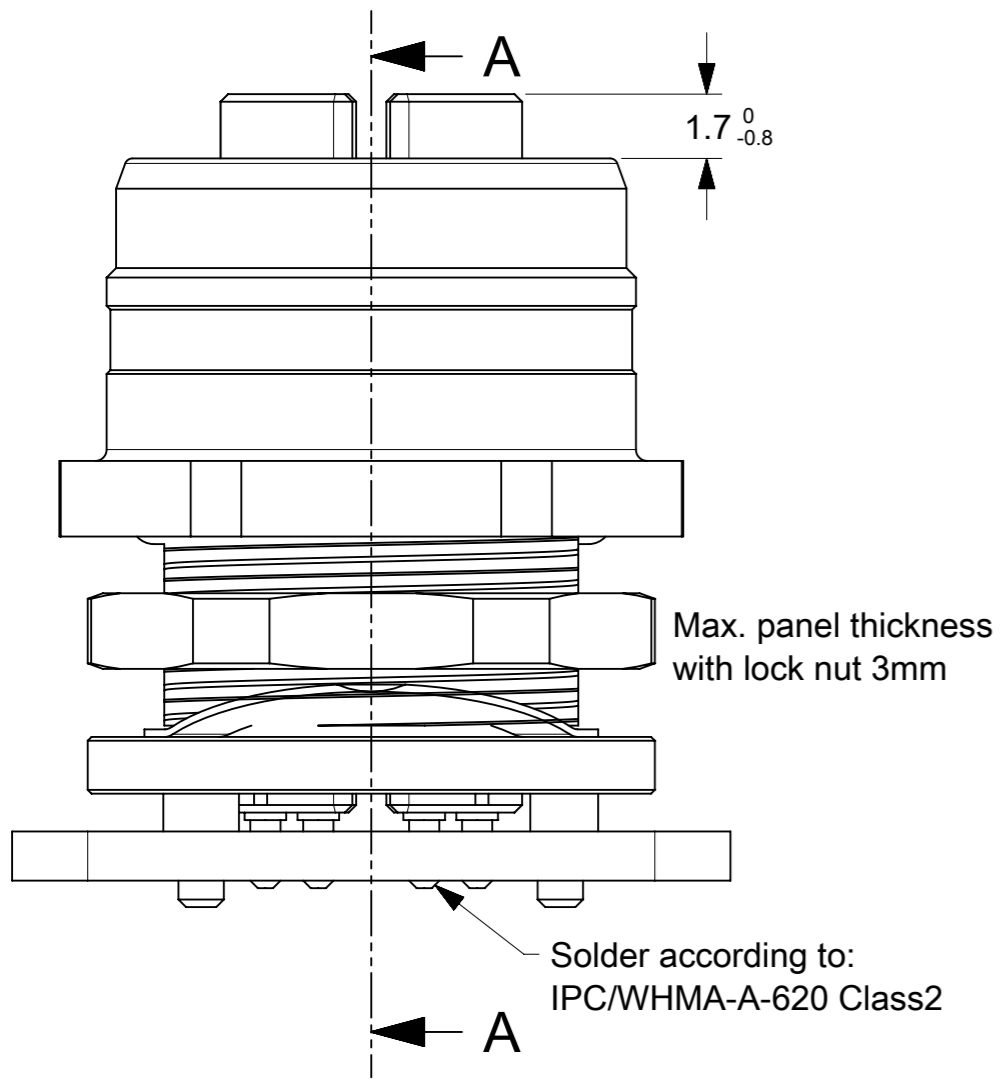
CABLE COLOR CODE AND POSITION ON RECEPTACLE :

- 1. WHITE-ORANGE
- 2. ORANGE
- 3. WHITE-GREEN
- 4. GREEN
- 5. WHITE-BROWN
- 6. BROWN
- 7. WHITE-BLUE
- 8. BLUE

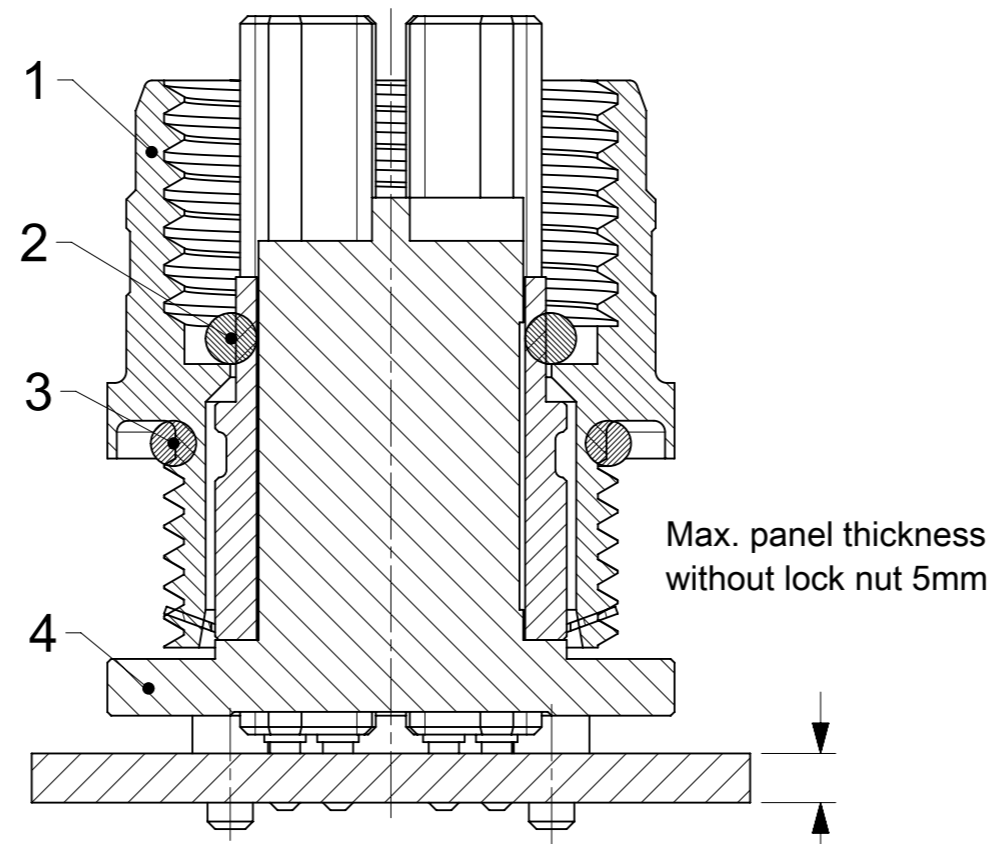
PCB PINOUT

FUNCTIONAL SYMBOLS	THIS DRAWING CONTAINS INFORMATION THAT IS PROPRIETARY TO MOLEX ELECTRONIC TECHNOLOGIES, LLC AND SHOULD NOT BE USED WITHOUT WRITTEN PERMISSION		CURRENT REV DESC: DIMENSIONS ADDED		<b>molex</b>				
	DIMENSION UNITS	SCALE							
$\nabla_A = 0$	mm	5:1	EC NO: 698856 DRWN: RSCHIEBER 2022/03/09 CHK'D: RSILLER 2022/03/09 APPR: RSILLER 2022/03/09 INITIAL REVISION: DRWN: MDHARMANTI 2021/03/03 APPR: RSILLER 2021/05/18		M12 CAT6A REC ASSY FRONT MOUNT				
$\nabla_B = 0$	GENERAL TOLERANCES (UNLESS SPECIFIED)				PRODUCT CUSTOMER DRAWING				
$\nabla_C = 0$	ANGULAR TOL $\pm 1.0^\circ$				DOCUMENT NUMBER				
DIVISIONAL SYMBOLS	4 PLACES $\pm$				1203410075		DOC TYPE	DOC PART	REVISION
	3 PLACES $\pm$						PSD	000	A
	2 PLACES $\pm 0.05$		MATERIAL NUMBER		CUSTOMER				
	1 PLACE $\pm 0.3$		120341		GENERAL MARKET				
	0 PLACES $\pm$		SERIES		SHEET NUMBER				
	DRAFT WHERE APPLICABLE MUST REMAIN WITHIN DIMENSIONS		THIRD ANGLE PROJECTION	DRAWING	2 OF 3				
				A3-SIZE					

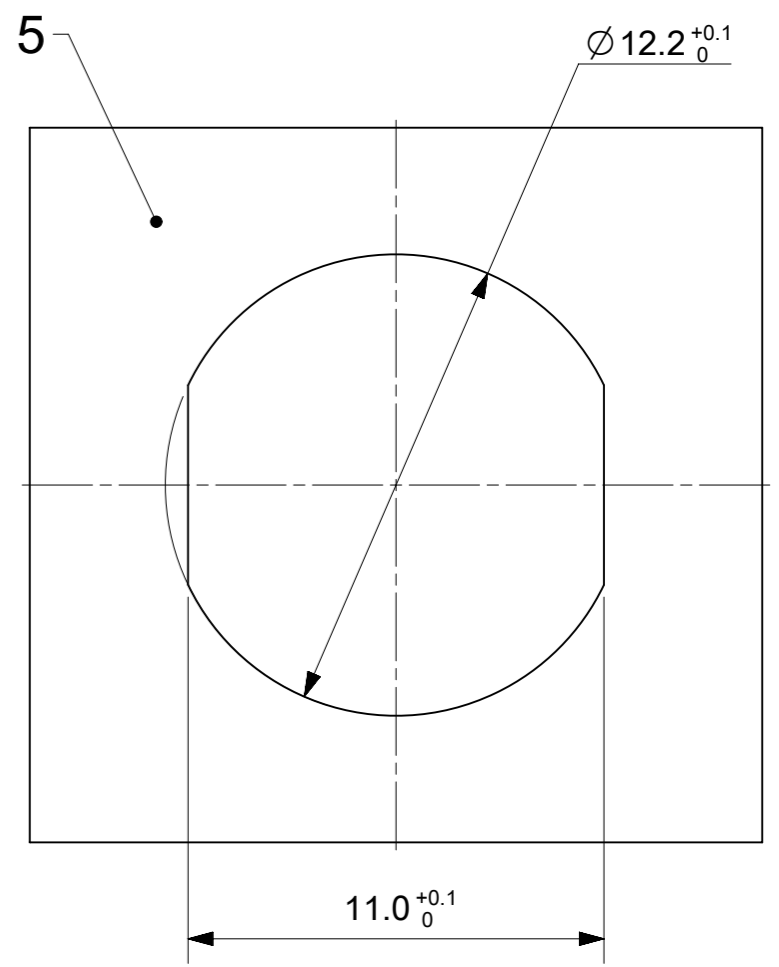
VIEW WITH LOCK NUT



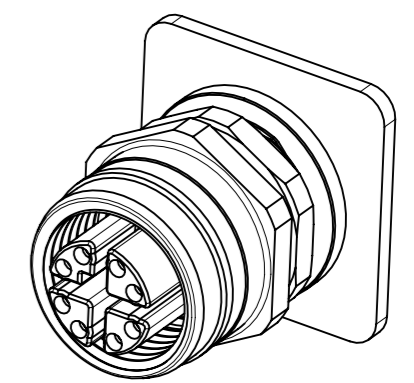
VIEW WITHOUT LOCK NUT



SECTION A-A



- Pos. Description :
1. Receptacle housing shell
  2. O-ring 7.1x1.35mm
  3. O-ring 10.2x1.2mm
  4. Receptacle
  5. Cutout



SCALE 2:1

ASSEMBLY OF THE RECEPTACLE:

1. The receptacle (4) is soldered to PCB (wave or reflow possible)  
The grounding can be over the ground pins of her receptacle and, if needed, over the midpoint of the shielding cross.
2. The o-ring (2) is pushed over the receptacle housing shell (1)
3. The metal shell(1) is fastened in the housing per screwing in or locknut.
4. The PCB with receptacles is mounted from the back side into the housing(1).
5. The o-ring (3) is applied from the front to the bottom of the thread.

FUNCTIONAL SYMBOLS	THIS DRAWING CONTAINS INFORMATION THAT IS PROPRIETARY TO MOLEX ELECTRONIC TECHNOLOGIES, LLC AND SHOULD NOT BE USED WITHOUT WRITTEN PERMISSION		CURRENT REV DESC: DIMENSIONS ADDED	
	▽A = 0	mm	SCALE	5:1
▽E = 0	GENERAL TOLERANCES (UNLESS SPECIFIED)			
▽V = 0	ANGULAR TOL ± 1.0 °			
DIVISIONAL SYMBOLS	4 PLACES	±	EC NO: 698856	
	3 PLACES	±	DRWN: RSCHIEBER 2022/03/09	
	2 PLACES	± 0.05	CHK'D: RSILLER 2022/03/09	
	1 PLACE	± 0.3	APPR: RSILLER 2022/03/09	
	0 PLACES	±	INITIAL REVISION:	
DRAFT WHERE APPLICABLE MUST REMAIN WITHIN DIMENSIONS		THIRD ANGLE PROJECTION	DRAWING	SERIES
			A3-SIZE	120341
DOCUMENT STATUS		RELEASE DATE	2022/03/09	16:39:24
P1				
MATERIAL NUMBER		CUSTOMER	DOC TYPE	DOC PART
1203410075		GENERAL MARKET	PSD	000
SHEET NUMBER		REVISION		
3 OF 3		A		