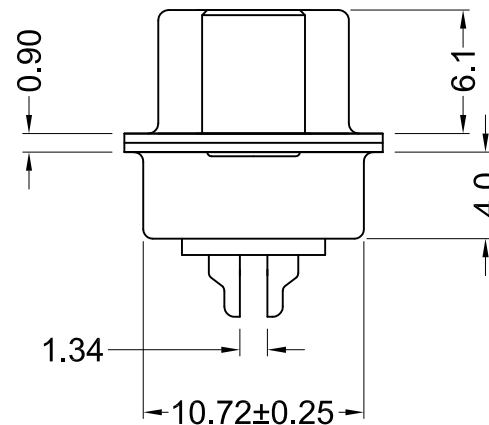


(2) #4-40 Riveted Round Jackscrews



Material and Finish

Shell: steel, Nickel plated
 Insulator: PBT with glass-fiber reinforcement, UL 94V-0 rated, color-black

Contact Material:

Plug: Brass

Contact Plating:

Standard:

Gold flash on mating end, tin on termination end, with entire contact nickel underplated

-15 Option:

15u" gold on mating end, tin on termination end, with entire contact nickel underplated

-30 Option:

30u" gold on mating end, tin on termination end, with entire contact nickel underplated

Electrical Specifications

Rated Current: 2A

Rated Voltage: 30V RMS

Withstanding Voltage: 500V (rms) AC for 1 minute

Insulation Resistance: more than 1000 Megohm at 500V DC

Contact Resistance: 13 milliohm max.

Dielectric Strength: 1000V for 1 minute

Operating Temperature: -55°C to +105°C

Part Number	Contact Area Plating Finish
K85X-EA-9P-R	Gold Flash (standard)
K85X-EA-9P-R15	15u" Gold (15 option)
K85X-EA-9P-R30	30u" Gold (30 option)



Tolerances
X.X ± 0.25
X.XX ± 0.15
Unless Stated Otherwise

REV.	DATE	DESCRIPTION	REV. BY	CHK. BY	DRAWN BY	DATE
A1	06/14/05	New Drawing	R. Aguirre	H. MA	R. Aguirre	06/14/05
A2	1/9/08	ECO #07-052	WILL H.	H. MA		
A3	12/31/17	ECO #17-030	G. Serrato	C. Furumasu		

K85X-EA-9P-R

Vertical Soldercup Mount D-Sub, RoHS Compliant

9 pin male, precision formed contacts w/ Round riveted Jackscrews

