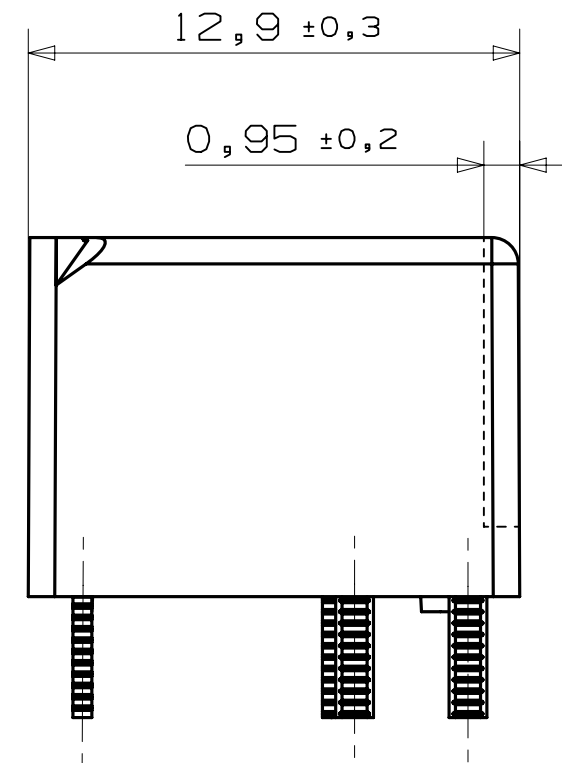
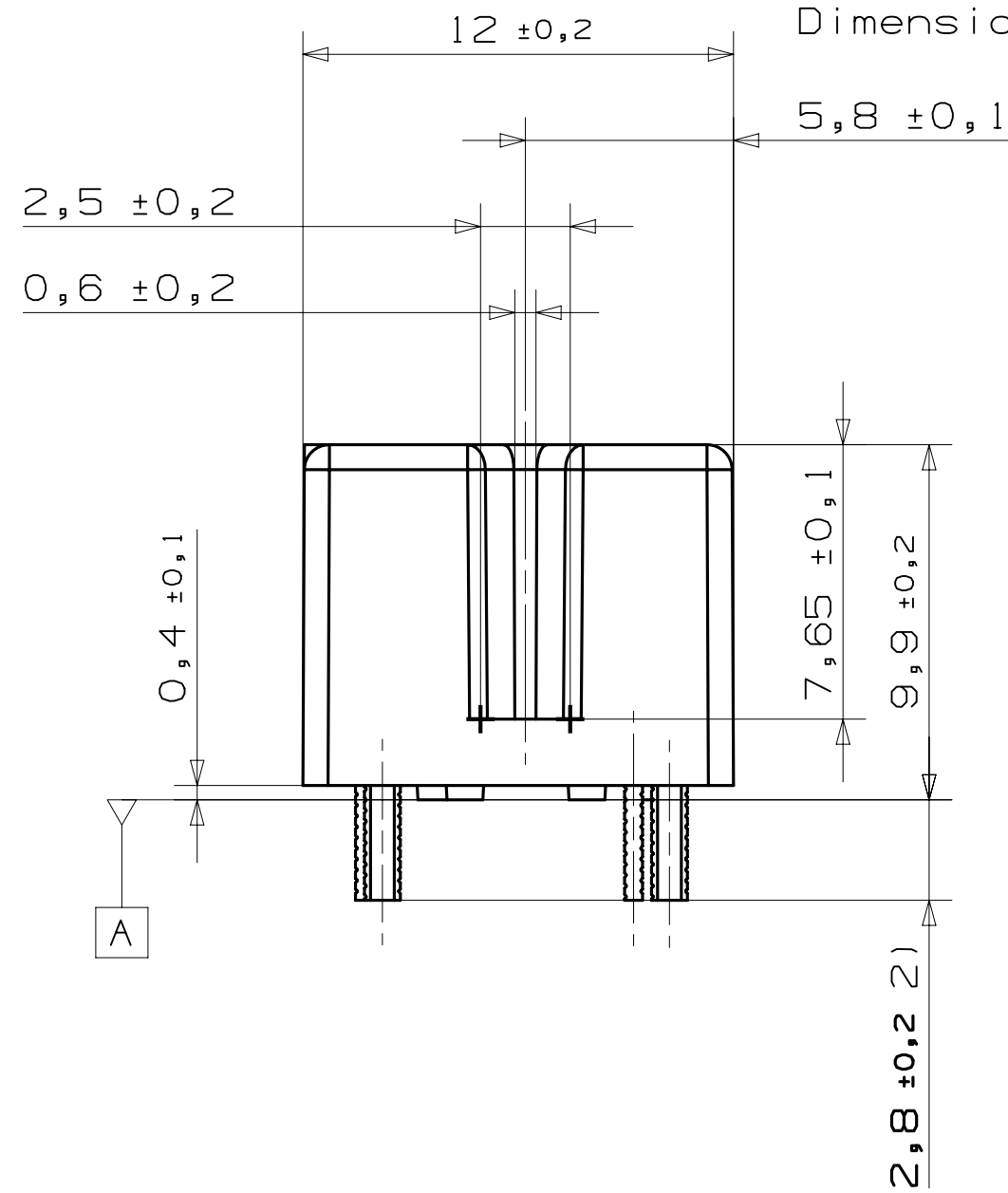
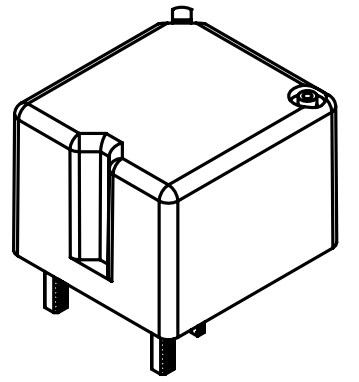
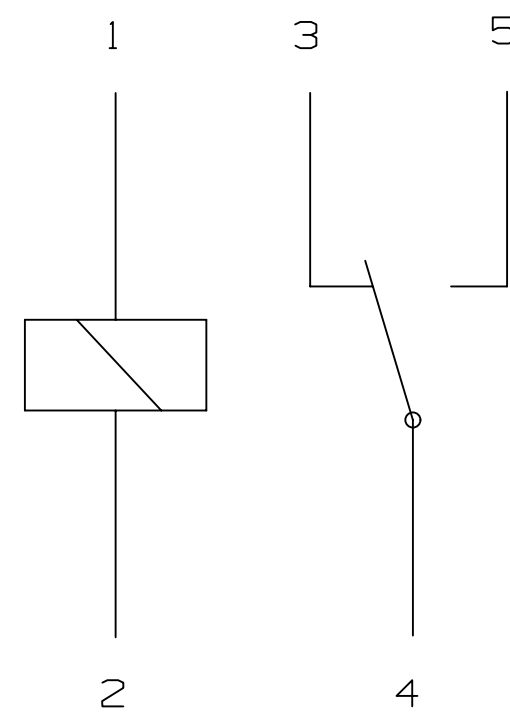
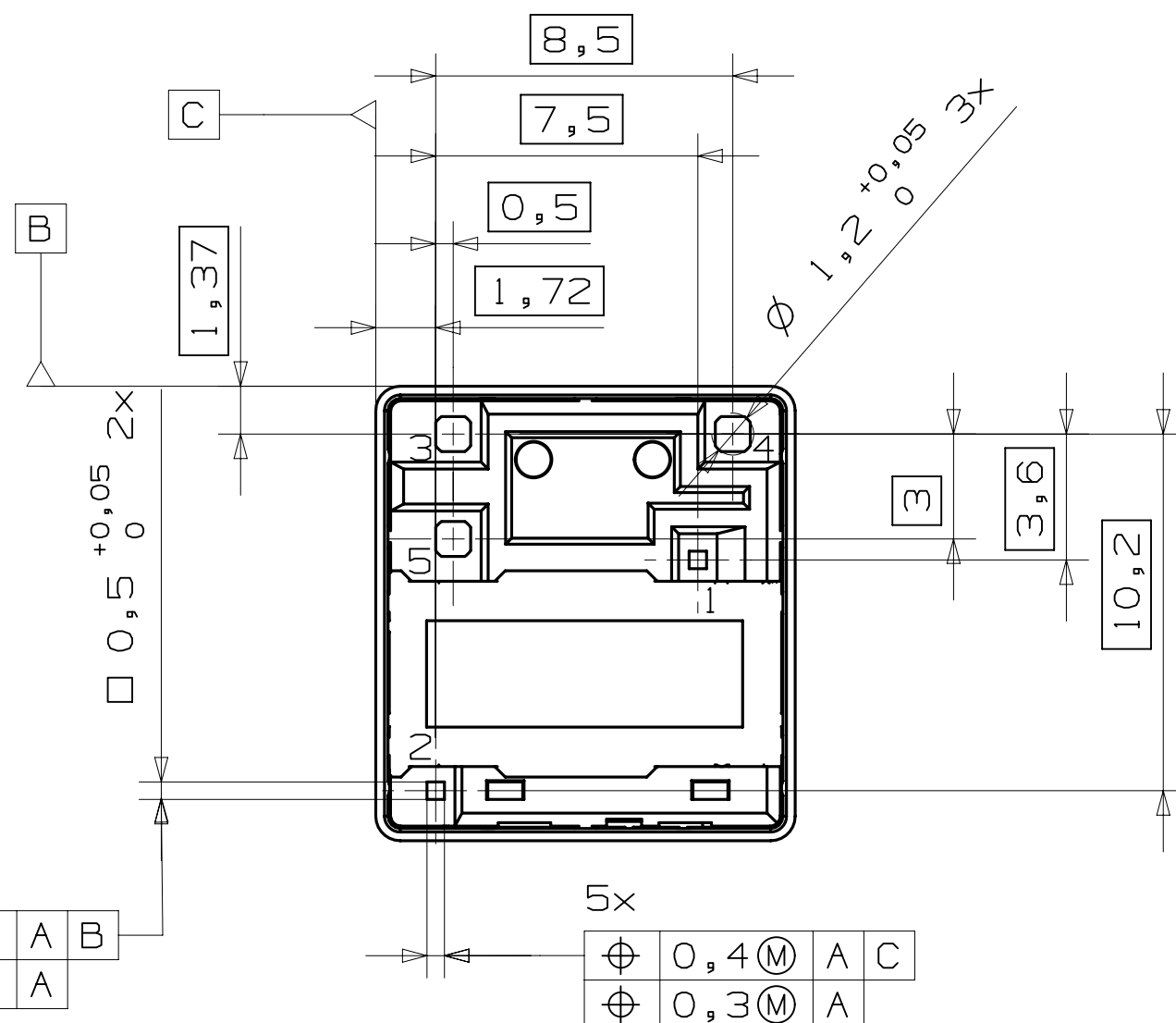


Massbild Wechsler
Dimension drawing changeover-contact



Ansicht auf die Anschluesse
View on the terminals

Schaltbild
Circuit diagram



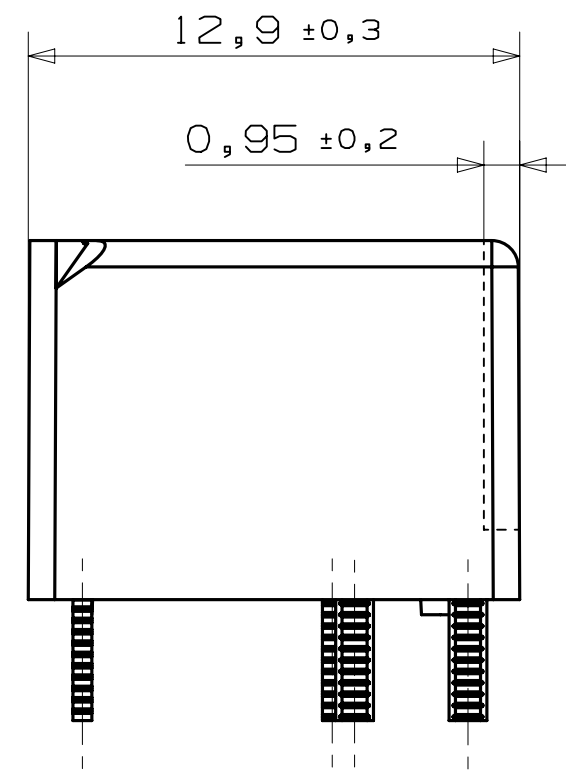
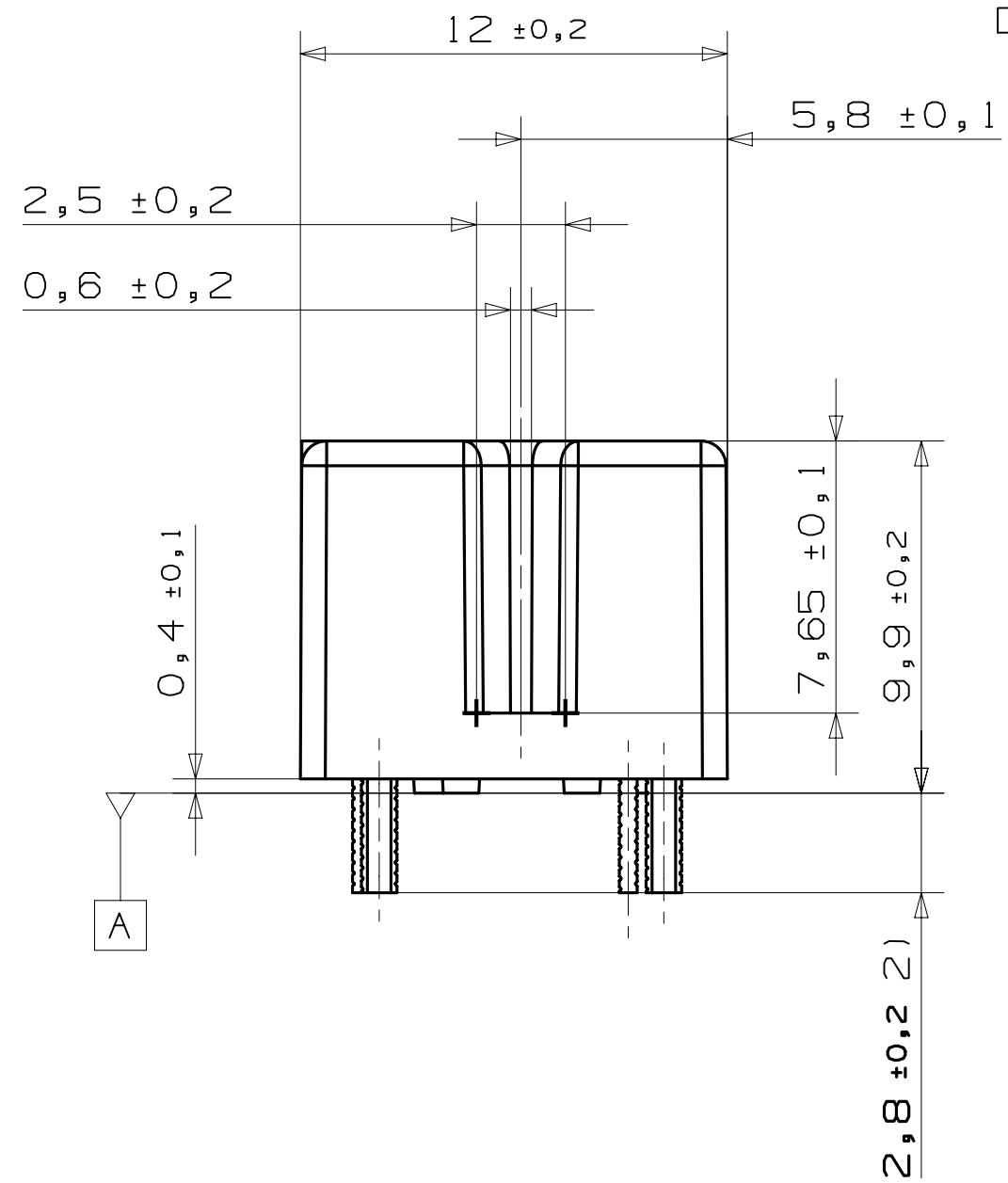
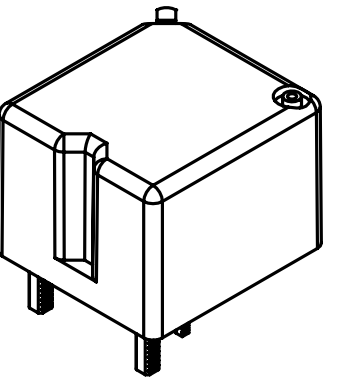
- 1) fuer Ebenheit und Geradheit
ISO 2768 - L
- 2) Pinlaenge ohne Verzinnung
mit Verzinnung max. 3,8mm
- 3) verstaerkte Verpackung

- 1) for flatness and straightness
ISO 2768 - L
- 2) Length of terminal without tin
with tin max. 3,8mm
- 3) Reinforced packaging

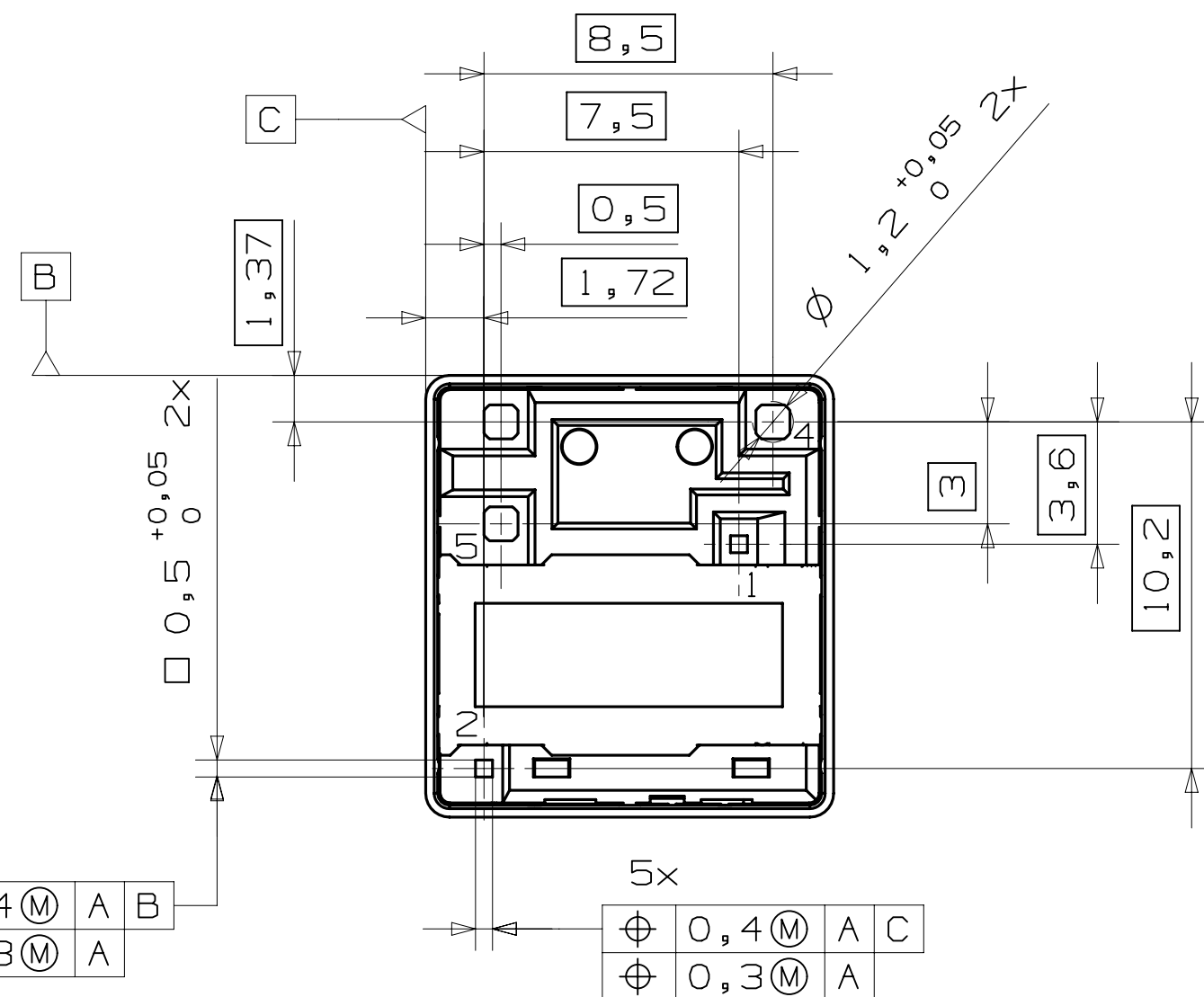
1393280-5	V23086C1001A402
2392358-1 3)	
1393280-6	V23086C1001A403
1-1414761-0 3)	
9-1416000-8	V23086C1001A502
9-1416000-0	V23086C1001X008
3-1904077-7	V23086C1001X045
1-1393280-0	V23086C1002A402
1-1393280-1	V23086C1002A403
6-1415005-4 3)	V23086C1002A803
2-1414987-3	
2-1904073-8	V23086C1004A403
8-1416000-7	V23086C1021A502
1-1414760-0 3)	
9-1416000-3	V23086C1021X011
2-1904093-1	V23086C1051A502
1-1393280-3	V23086G1001A403
6-1414892-7	V23086G1501X028
PART NUMBER	DESCRIPTION

<p>PROPRIETARY</p> <p>THE REPRODUCTION, TRANSMISSION OR USE OF THIS DOCUMENT OR IT'S CONTENTS IS NOT PERMITTED WITHOUT EXPRESSED WRITTEN AUTHORITY. OFFENDERS WILL BE LIABLE FOR ALL DAMAGES. ALL RIGHTS, INCLUDING RIGHTS CREATED BY REGISTERED PATENT(S) GRANTED FOR A UTILITY MODEL OR DESIGN, ARE RESERVED.</p>				<p>CHANGES TO THIS DRAWING MUST BE DONE ONLY IN CAD</p>		<p>PAPER SIZE A2</p>	
<p>APPLICABLE SPEC.:</p>				<p>FINISH</p>		<p>DIMENSIONS APPLY PLATING</p>	
<p>TOLERANCE UNLESS SPECIFIED OTHERWISE ISO 2768 mH 1)</p>				<p>SCALE 5:1</p>		<p>WEIGHT ca. 4g</p>	
<p>DATE NAME</p> <p>97-10-23 Reiss</p>				<p>MATERIAL</p>		<p>PART NAME</p>	
<p>ECN-21-127863 23NOV2021 JFai DWN.</p>				<p>LOCATION Bln-P</p>		<p>MicroK THT Dimension drawing</p>	
<p>ECO-12-017225 26SEP2012 JFai APP.</p>				<p>DATE NAME</p>		<p>DWG NO.</p>	
<p>ECO-08-027644 2008-11-06 JFai REV.</p>				<p>DATE NAME</p>		<p>C23303-A0086-A001-CD</p>	
<p>ECO-07-012552 2007-05-29 JFai</p>				<p>DATE NAME</p>		<p>SHT. 1 OF 2</p>	
<p>ECO-06-028631 2006-12-07 ASCH</p>				<p>DATE NAME</p>		<p>STE connectivity</p>	
<p>A Migration 2006-06-30 ASCH</p>				<p>DATE NAME</p>		<p>REV. CHANGE ORDER DATE APP.</p>	
<p>WE06/A177 2006-06-28 ASCH</p>				<p>DATE NAME</p>		<p>REV. CHANGE ORDER DATE APP.</p>	

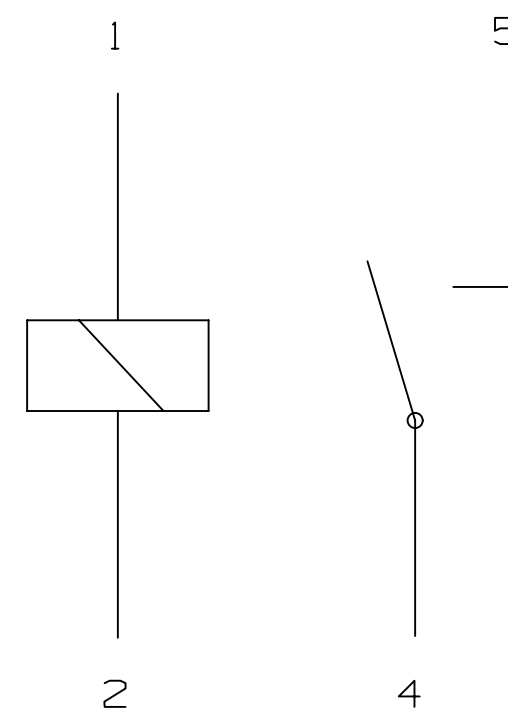
Massbild Schliesser
Dimension drawing make-contact



Ansicht auf die Anschluesse
View on the terminals

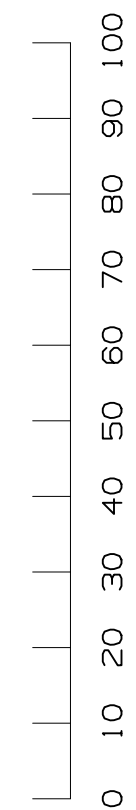


Schaltbild
Circuit diagram



- 1) fuer Ebenheit und Geradheit
ISO 2768 - L
- 2) Pinlaenge ohne Verzinnung
mit Verzinnung max. 3,8mm

- 1) for flatness and straightness
ISO 2768 - L
- 2) Length of terminal without tin
with tin max. 3,8mm



PROPRIETARY THE REPRODUCTION, TRANSMISSION OR USE OF THIS DOCUMENT OR IT'S CONTENTS IS NOT PERMITTED WITHOUT EXPRESSED WRITTEN AUTHORITY. OFFENDERS WILL BE LIABLE FOR ALL DAMAGES. ALL RIGHTS, INCLUDING RIGHTS CREATED BY REGISTERED PATENT(S) GRANTED FOR A UTILITY MODEL OR DESIGN, ARE RESERVED.				CHANGES TO THIS DRAWING MUST BE DONE ONLY IN CAD		PAPER SIZE A2	
APPLICABLE SPEC.:				FINISH			
DIMENSIONS UNLESS SPECIFIED OTHERWISE ISO 2768-f mH 11				DIMENSIONS IN MM		SCALE 5:1 WEIGHT ca. 4g	
DATE 97-10-23 NAME Reiss				PART NAME MicroK THT Dimension drawing			
LOCATION Bin-P				DWG NO. C23303-A0086-A001-CD		SHT. 2 OF 2	
B4 ECN-21-127863 23NOV2021 JFai DWN.		B3 ECO-12-017225 26SEP2012 JFai APP.		B2 ECO-08-027644 2008-11-06 JFai REV.		B1 ECO-07-012552 2007-05-29 JFai	
B ECO-06-028631 2006-12-07 ASCH		A Migration 2006-06-30 ASCH		04 WE06/A177 2006-06-28 ASCH		REV. CHANGE ORDER DATE APP.	