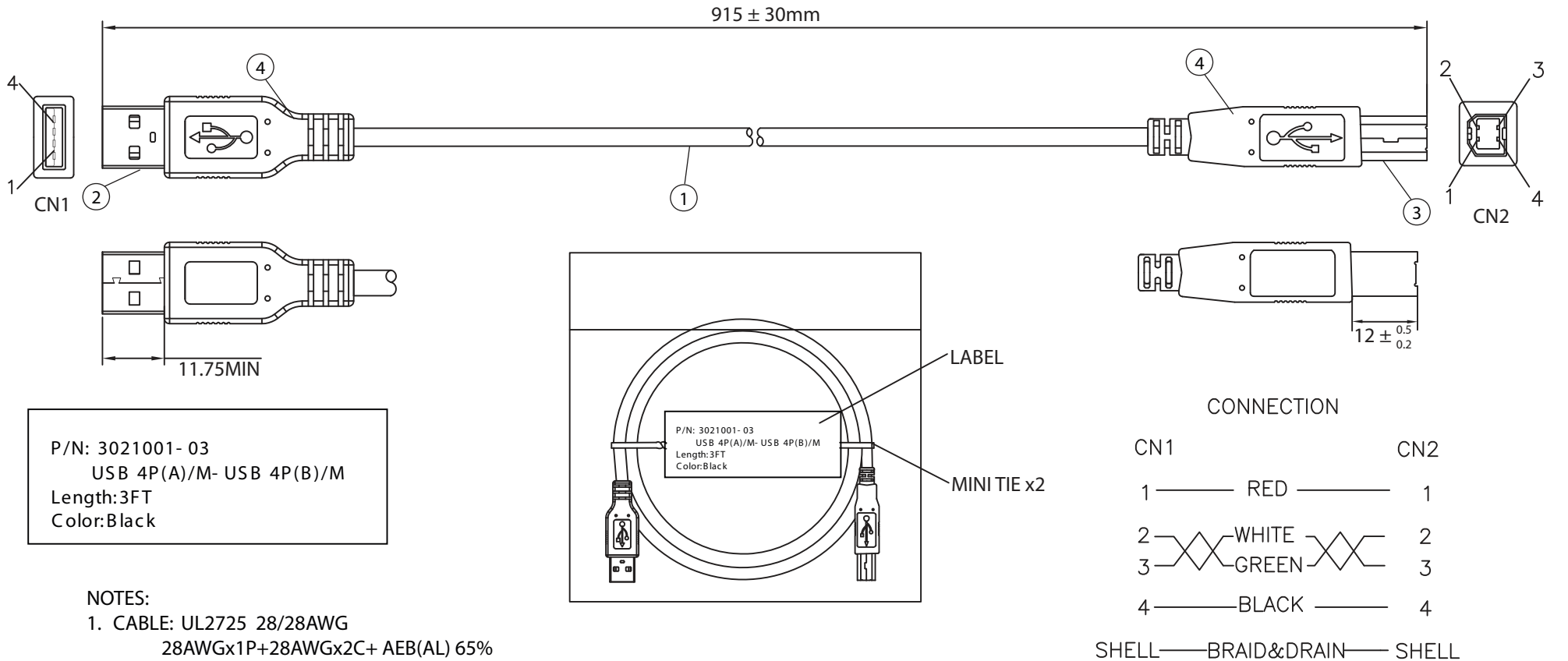


THESE DRAWINGS ARE THE PROPERTY OF QUALTEK ELECTRONICS AND NOT TO BE REPRODUCED FOR OR COMMUNICATED TO A THIRD PARTY WITHOUT THE EXPRESS WRITTEN PERMISSION OF AN OFFICER OF QUALTEK ELECTRONICS.

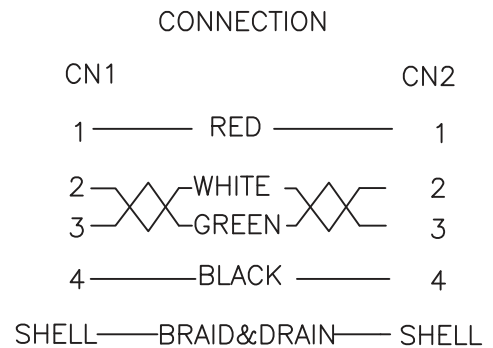
REVISION			
REV.	DESCRIPTION	DATE	APPROVED
A	Changed Cable OD From 4.2 to 4.0	03-12-07	DP
B	Updated Specifications	02-09-12	LY



P/N: 3021001-03
 USB 4P(A)/M- USB 4P(B)/M
 Length: 3FT
 Color: Black

NOTES:

- CABLE: UL2725 28/28AWG
 28AWGx1P+28AWGx2C+ AEB(AL) 65%
 OUTER JACKET: BLACK, OD: 4.0 ± 0.2mm
- CONNECTOR: USB A TYPE MALE
 INSULATOR: WHITE PBT
 PIN G/F
 NICKEL PLATED SHELL
- CONNECTOR: USB B TYPE MALE
 INSULATOR: WHITE PBT
 PIN G/F
 NICKEL PLATED SHELL
- PVC MOLDED: COLOR V398 45P BLACK
- ELECTRICAL TEST:
 <1>.100% OPEN SHORT & MISS WIRE TEST
 <2>.INSULATION RESISTANCE: DC400V 10M ohm MIN.
 <3>.CONDUCTOR RESISTANCE: 3 ohm MAX.
- PACKING: 1PC/POLYBAG W/ LABEL



CONTROLLED

Dim range (mm)	Tolerance +/- (mm)	Qualtek Electronics Corp. WCI DIVISION		
		Part Number: 3021001-03	RoHS Compliant	
0-1	0.15	Description: USB 4P(A)/M - USB 4P(B)/M		
1-6	0.20		UNIT: mm	REV. B
6-18	0.30		Checked / Date	Approved / Date
18-50	0.50	Drawn / Date		
50-120	0.70	B. Grubb 01-25-07	01-25-07	JJH / 01-25-07
120-250	0.90			
250-500	1.20			