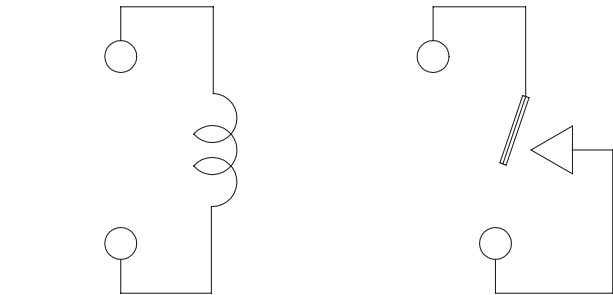
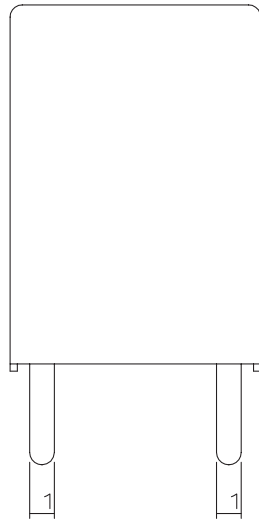
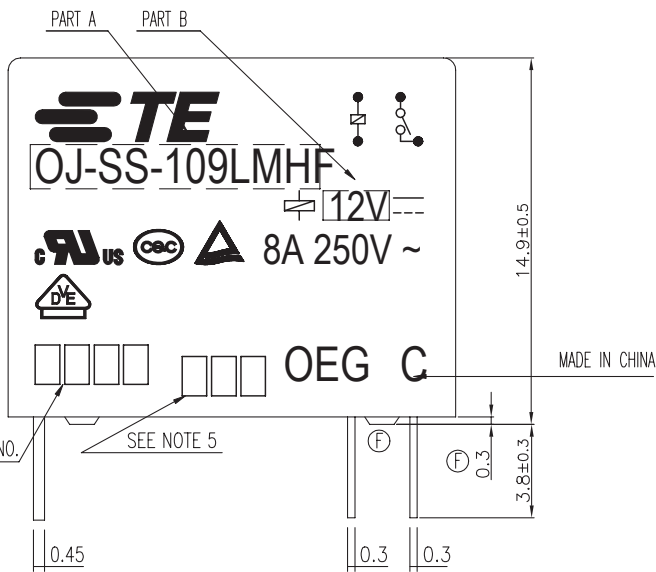


4 3

THIS DRAWING IS UNPUBLISHED. RELEASED FOR PUBLICATION
 © COPYRIGHT - By - TE CONNECTIVITY ALL RIGHTS RESERVED.

| | | | | | | | |
|-----|------|-----------|-----|--------------------------|-----------|------|------|
| LOC | DIST | REVISIONS | | | | | |
| HB | - | P | LTR | DESCRIPTION | DATE | DWN | APVD |
| | | F2 | | ADD NEW PN ECO-20-012247 | 01-SEP-20 | WQ.Y | K.T |



CONNECTION FIGURE

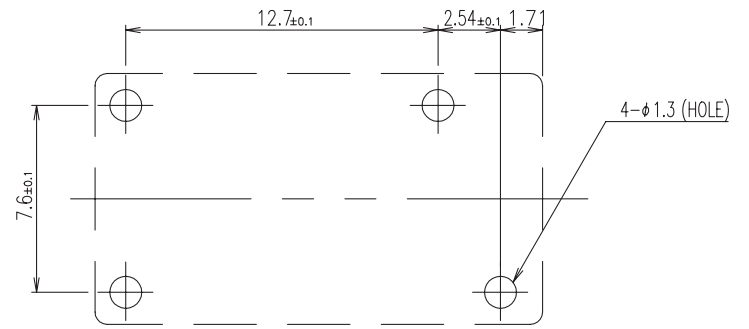
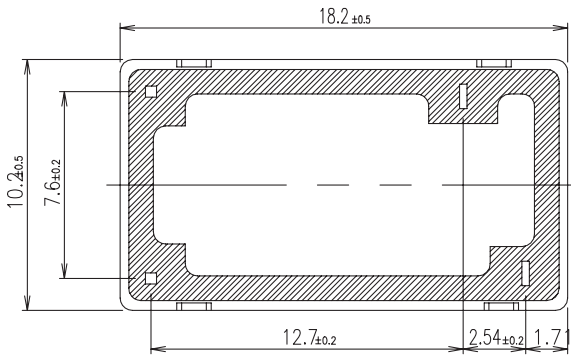


FIGURE FOR PRINTED CIRCUIT BOARD PROCESSING
(BOTTOM VIEW)

| Diagram dimension | Tolerance |
|-------------------|-----------|
| 0.99mm max. | ±0.1mm |
| 1 - 2.99mm | ±0.2mm |
| 3mm min. | ±0.3mm |



| | | | | |
|---|--|------------------|------------|---------|
| THIS DRAWING IS A CONTROLLED DOCUMENT. | | DWN | H.SASAKI | - |
| DIMENSIONS: mm | | CHK | N.FUNAYAMA | - |
| TOLERANCES UNLESS OTHERWISE SPECIFIED: | | APVD | A.NAGAI | - |
| 0 PLC ± - 1 PLC ± - 2 PLC ± - 3 PLC ± - 4 PLC ± - ANGLES ± - | | PRODUCT SPEC | - | |
| MATERIAL | | APPLICATION SPEC | - | |
| FINISH | | WEIGHT | - | |
| | | SIZE | A3 | 00779 |
| | | CAGE CODE | C= | 1721083 |
| | | DRAWING NO | 1721083 | |
| | | RESTRICTED TO | - | |
| | | CUSTOMER DRAWING | SCALE | 5:1 |
| | | SHEET | 1 of 2 | |
| | | REV | F2 | |

TE TE Connectivity

OJ-LMH STANDARD CUSTOMER DRAWING

4

3

2

1

THIS DRAWING IS UNPUBLISHED. RELEASED FOR PUBLICATION
 © COPYRIGHT - By - TE CONNECTIVITY ALL RIGHTS RESERVED.

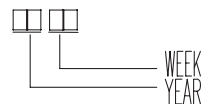
| LOC | DIST | REVISIONS | | | | | |
|-----|------|-----------|-----|-------------|------|-----|------|
| | | P | LTR | DESCRIPTION | DATE | DWN | APVD |
| HB | - | - | - | SEE SHEET 1 | - | - | - |

| ⓕ2 | ACTIVE | TE PART NO | DESCRIPTION | PART B | PART A | TYPE |
|----|-------------|------------|----------------------|--------|---------------|------|
| | ACTIVE | 1721083-8 | OJ-SH-112LMHF,00000 | 12V | OJ-SS-112LMHF | J |
| | ACTIVE | 1721083-7 | OJ-SS-112LMHF, 000T0 | 12V | OJ-SS-112LMHF | h |
| | OBSOLETE | 1721083-6 | OJ-SS-118LMHF, 000 | 18V | OJ-SS-118LMHF | g |
| | ACTIVE | 1721083-5 | OJ-SS-109LMHF, 000 | 9V | OJ-SS-109LMHF | f |
| | OBSOLETE | 1721083-4 | OJ-SS-106LMHF, 000 | 6V | OJ-SS-106LMHF | e |
| | OBSOLETE | 1721083-3 | OJ-SS-105LMHF, 000 | 5V | OJ-SS-105LMHF | d |
| | OBSOLETE | 1721083-2 | OJ-SS-103LMHF, 000 | 3V | OJ-SS-103LMHF | c |
| | ACTIVE | 1721083-1 | OJ-SS-112LMHF, 000 | 12V | OJ-SS-112LMHF | b |
| | ACTIVE | 1461014-2 | OJ-SS-124LMHF, 000 | 24V | OJ-SS-124LMHF | a |
| | PART STATUS | TE PART NO | DESCRIPTION | PART B | PART A | TYPE |

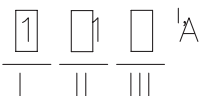
RELAY TYPE

NOTES:

1.LOT NO. SYSTEM AS FOLLOWING:



5.ADD LOT NO. SYSTEM AS FOLLOWING;



I, DIGITS FOR DAY OF THE WEEK
 1...MONDAY IN THIS WEEK;
 2...TUESDAY IN THIS WEEK;

 7...SUNDAY IN THIS WEEK
 II, DIGITS FOR SHIFT OF THE DAY
 1...DAY SHIFT IN THIS DAY;
 2...NIGHT SHIFT IN THIS DAY;
 III, ONE CHARACTER DISTINGUISH THE LINE IDENTITY,
 SUCH AS: A,B.....Z

- 2.TERMINAL DIMENSION IS BEFORE SOLDER DIP;
- 3.FOR THE TIN-PLATING OF THE PINS:
 +0.1mm FOR WIDTH,THICKNESS AND DIAMETER.
 +0.5mm FOR LENGTH.
- 4.MARKING FROM INK TO LASER AND WELDED CONTACT

| INCOMBUSTIBILITY | TREATMENT | MATERIAL | DESCRIPTION | ITEM |
|------------------|------------|-------------|----------------------|------|
| | | EPOXY RESIN | SEAL (BASE & BOBBIN) | 15 |
| | | MW79 | MAGNETIC WIRE | 14 |
| 94V-0 | | P.B.T | CASE | 13 |
| 94V-0 | | P.B.T | BASE | 12 |
| 94VHB | | NYRON | BOBBIN | 11 |
| | SOLDER DIP | C.P WIRE | COIL TERMINAL | 10 |
| 94V-0 | | P.P.S | CARD | 9 |
| | | Ag ALLOY | MOVABLE CONTACT | 8 |
| | | Ag ALLOY | NO.CONTACT | 7 |
| | | STEEL | HINGE SPRING | 6 |
| | SOLDER DIP | Cu ALLOY | NO.TERMINAL | 5 |
| | SOLDER DIP | Cu ALLOY | MOVABLE SPRING | 4 |
| | NIP | STEEL | CORE | 3 |
| | NIP | STEEL | ARMATURE | 2 |
| | NIP | STEEL | YOKE | 1 |

| | | | | | | | | | | | | | | | | |
|--|-----------|---|---------------|--------------|------|-----------|------------|---------------|-----|-------|------------|--------|-----|--------------|---|--|
| THIS DRAWING IS A CONTROLLED DOCUMENT. | | DWN | H,SASAKI | - | | | | | | | | | | | | |
| DIMENSIONS: mm | | CHK | N,FUNAYAMA | - | | | | | | | | | | | | |
| TOLERANCES UNLESS OTHERWISE SPECIFIED: | | APVD | A,NAGAI | - | | | | | | | | | | | | |
| <table border="0"> <tr><td>0 PLC</td><td>± -</td></tr> <tr><td>1 PLC</td><td>± -</td></tr> <tr><td>2 PLC</td><td>± -</td></tr> <tr><td>3 PLC</td><td>± -</td></tr> <tr><td>4 PLC</td><td>± -</td></tr> <tr><td>ANGLES</td><td>± -</td></tr> </table> | | 0 PLC | ± - | 1 PLC | ± - | 2 PLC | ± - | 3 PLC | ± - | 4 PLC | ± - | ANGLES | ± - | PRODUCT SPEC | - | |
| 0 PLC | ± - | | | | | | | | | | | | | | | |
| 1 PLC | ± - | | | | | | | | | | | | | | | |
| 2 PLC | ± - | | | | | | | | | | | | | | | |
| 3 PLC | ± - | | | | | | | | | | | | | | | |
| 4 PLC | ± - | | | | | | | | | | | | | | | |
| ANGLES | ± - | | | | | | | | | | | | | | | |
| MATERIAL | | APPLICATION SPEC | - | | | | | | | | | | | | | |
| FINISH | | WEIGHT | - | | | | | | | | | | | | | |
| - | | <table border="1"> <tr> <td>SIZE</td> <td>CAGE CODE</td> <td>DRAWING NO</td> <td>RESTRICTED TO</td> </tr> <tr> <td>A3</td> <td>00779</td> <td>C= 1721083</td> <td>-</td> </tr> </table> | | | SIZE | CAGE CODE | DRAWING NO | RESTRICTED TO | A3 | 00779 | C= 1721083 | - | | | | |
| SIZE | CAGE CODE | DRAWING NO | RESTRICTED TO | | | | | | | | | | | | | |
| A3 | 00779 | C= 1721083 | - | | | | | | | | | | | | | |
| CUSTOMER DRAWING | | SCALE | 5:1 | SHEET 2 of 2 | | | | | | | | | | | | |
| | | REV | F2 | | | | | | | | | | | | | |



OJ-LMH STANDARD CUSTOMER DRAWING