

RS
RS 32IO 1W L H Z**Weidmüller Interface GmbH & Co. KG**
Klingenbergstraße 16
D-32758 Detmold
Germany
Fon: +49 5231 14-0
Fax: +49 5231 14-292083
www.weidmueller.com

The digital direct input/output interfaces are supplied with flat cable connectors to facilitate connection. They are available in tension clamp or clamping yoke connection, with elements such as fuses, disconnectors or LEDs.

General ordering data

Type	RS 32IO 1W L H Z
Order No.	9447910000
Version	Interface, RS, LED, 1-wire, Tension clamp connection
GTIN (EAN)	4032248253210
Qty.	1 pc(s).

RS RS 32IO 1W L H Z

Weidmüller Interface GmbH & Co. KG
 Klingenbergstraße 16
 D-32758 Detmold
 Germany
 Fon: +49 5231 14-0
 Fax: +49 5231 14-292083
 www.weidmueller.com

Technical data

Dimensions and weights

Length	145 mm	Width	87 mm
Height	72 mm	Net weight	230 g

Temperatures

Operating temperature	-25...+50°C	Storage temperature	-40...+60 °C
-----------------------	-------------	---------------------	--------------

General data

LED status display per channel	green	Disconnection per channel	No
Fuse per channel	No	LED status of the supply voltage	yellow
Power supply fuse	3.15 A	Common pole polarity	No

Connection data

Connection to PLC	HE 10 connector - 20 pole	Connection on control side	2x Plug-in connector acc. IEC 603-1 / DIN 41651
Number of poles (control side)	20-pole plug	Connection (field side)	LMNZF 5.08mm
Wiring system	1-wire		

Ratings data

Operating voltage	24 V DC ± 10%	Max. current per channel	1 A
Total operating current	2 A		

Insulation coordination (EN50178)

According to	DIN EN 50178	Rated insulation voltage	< 50 V AC
Surge voltage category	III	Pollution severity level	2
Insulation test voltage	0.35 kVAC		

Connection field

Type of connection	Tension clamp connection	Clamping range, min.	0.14 mm ²
Clamping range, max.	1.5 mm ²	Solid, min. H05(07) V-U	0.5 mm ²
Solid, max. H05(07) V-U	1.5 mm ²	Flexible, min. H05(07) V-K	0.5 mm ²
Flexible, max. H05(07) V-K	1.5 mm ²	Flexible with sleeve, max.	1.5 mm ²
Min. wire cross-section, AWG [field]	AWG 26	Max. wire cross-section, AWG [field]	AWG 14
Stripping length	7 mm		

Supply connection

Type of connection	Tension clamp connection	Clamping range, min.	0.14 mm ²
Clamping range, max.	1.5 mm ²	Solid, min. H05(07) V-U	0.5 mm ²
Solid, max. H05(07) V-U	1.5 mm ²	Flexible, min. H05(07) V-K	0.5 mm ²
Flexible, max. H05(07) V-K	1.5 mm ²	Flexible with sleeve, max.	1.5 mm ²
Wire cross-section, min. AWG	AWG 26	Wire cross-section, max. AWG	AWG 14
Stripping length	7 mm		

Classifications

ETIM 3.0	EC001423	UNSPSC	30-21-18-01
eClass 5.1	27-24-22-08	eClass 6.2	27-24-22-08
eClass 7.1	27-24-22-08		

Data sheet

RS
RS 32IO 1W L H Z

Weidmüller Interface GmbH & Co. KG
Klingenbergstraße 16
D-32758 Detmold
Germany
Fon: +49 5231 14-0
Fax: +49 5231 14-292083
www.weidmueller.com

Technical data

Approvals

Approvals



ROHS

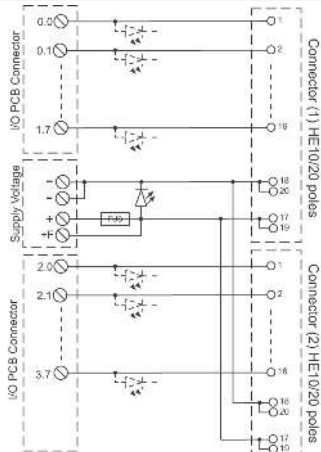
Conform

Data sheet

**RS
RS 32IO 1W L H Z**

Weidmüller Interface GmbH & Co. KG
 Klingenbergstraße 16
 D-32758 Detmold
 Germany
 Fon: +49 5231 14-0
 Fax: +49 5231 14-292083
 www.weidmueller.com

Drawings



The wiring diagram corresponds to the version with LEDs.