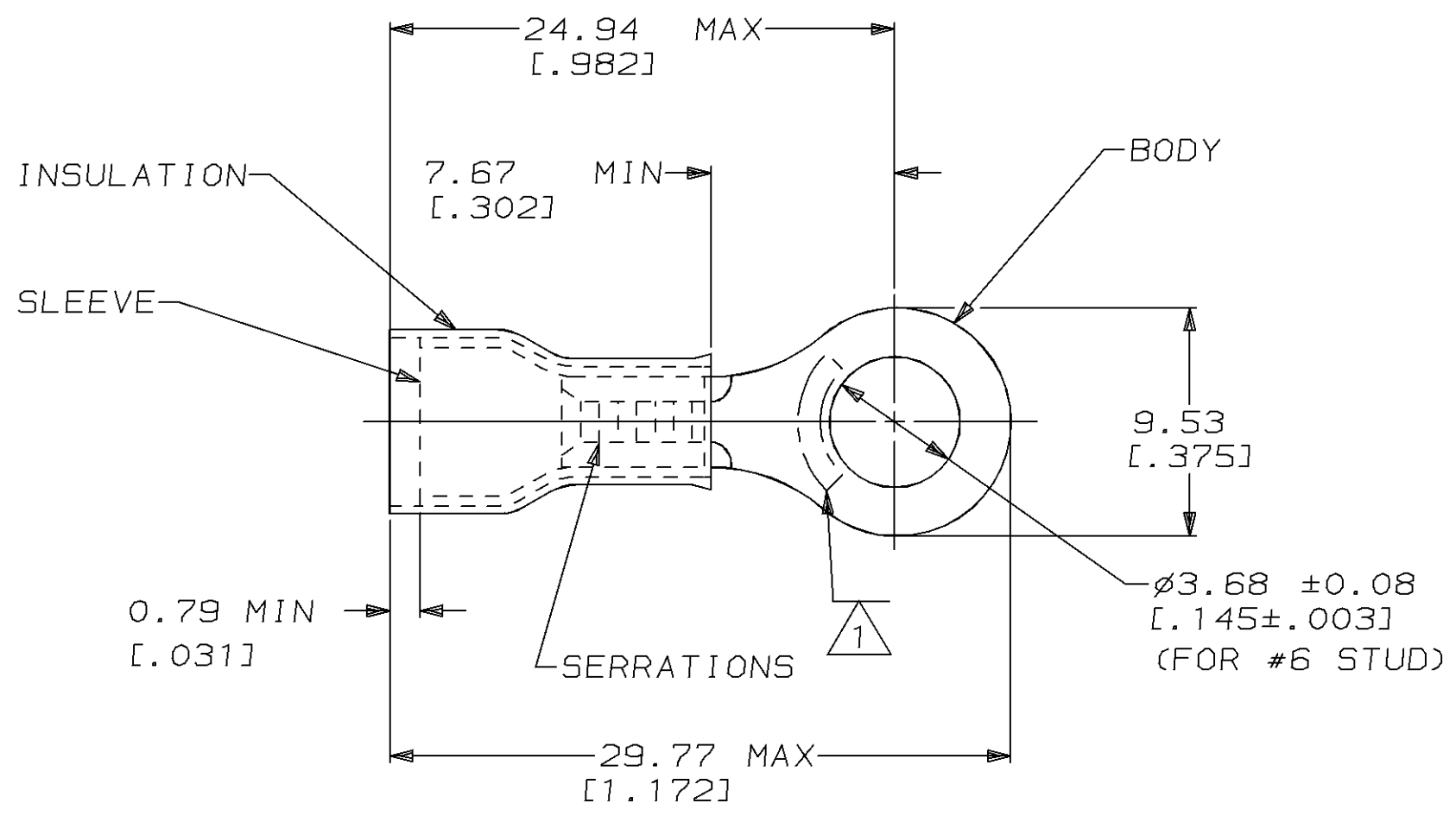


THIS DRAWING IS UNPUBLISHED. RELEASED FOR PUBLICATION ,19 .
 © COPYRIGHT 19 BY AMP INCORPORATED. ALL RIGHTS RESERVED.

LOC	DIST	REVISIONS					
		P	LTR	DESCRIPTION	DATE	DWN	APVD
G	14		E	REV / 0720-0778-95	10OCT95	MLE	NB

AMP WIRE RANGE	E13288	LR7189 Certified
12-10 AWG SOLID OR STRANDED	12-10 AWG SOLID OR STRANDED	12-10 AWG SOLID OR STRANDED



- △ STAMP AMP 12-10* APPROX AS SHOWN
- 2. WIRE INSUL DIA, 4.32-7.62 [.170-.300]
- 3. TONGUE MATERIAL THK, 1.02±0.05 [.040±.002]

---	-----	-----
---	-----	-----
500	LOOSE PIECE	35604
QTY	PACKAGE TYPE	PART NO

AMP INCORPORATED CUSTOMER SERVICE SYSTEM		MAX RECOMMENDED OPERATING TEMPERATURE: 105° C [221° F]	THIS DRAWING IS A CONTROLLED DOCUMENT FOR AMP INCORPORATED. IT IS SUBJECT TO CHANGE AND THE CONTROLLING ENGINEERING ORGANIZATION SHOULD BE CONTACTED FOR THE LATEST REVISION.		DWN M ELLIS 17APR95	AMP AMP Incorporated Harrisburg, PA 17105-3608
FOR ADDITIONAL PRODUCT INFORMATION OR COPIES OF DRAWINGS AND TECHNICAL DOCUMENTS	PRODUCT INFORMATION CENTER 1-800-522-6752	VOLTAGE RATING: - 300V MAX	DIMENSIONS: mm [in]	TOLERANCES UNLESS OTHERWISE SPECIFIED:	CHK C PRESNELL 17APR95	
FOR APPLICATION TOOLING INFORMATION	TOOLING ASSISTANCE CENTER 1-800-722-1111	CIRCULAR MIL AREA: 2.63mm ² -6.64mm ² (5180-13100)		0 PLC ±- 1 PLC ±- 2 PLC ±0.20 [.008] 3 PLC ±- 4 PLC ±- ANGLES ±-	APVD N BIRCH 17APR95	NAME TERMINAL, RING TONGUE, PIDG™, WIRE SIZE, 12-10 AWG
FOR ORDER ENTRY	1-800-526-5142		MATERIAL BODY, SLV, COPPER PER ASTM B 152 INSUL, PVC, COLOR, YELLOW	FINISH BODY & SLV, TIN PLATE PER MIL-T-10727	PRODUCT SPEC UL 486A	SIZE A3
					APPLICATION SPEC -	CAGE CODE 00779
					WEIGHT -	DRAWING NO C-35604
					CUSTOMER DRAWING	SCALE 4:1
						SHEET 1 OF 1
						REV E