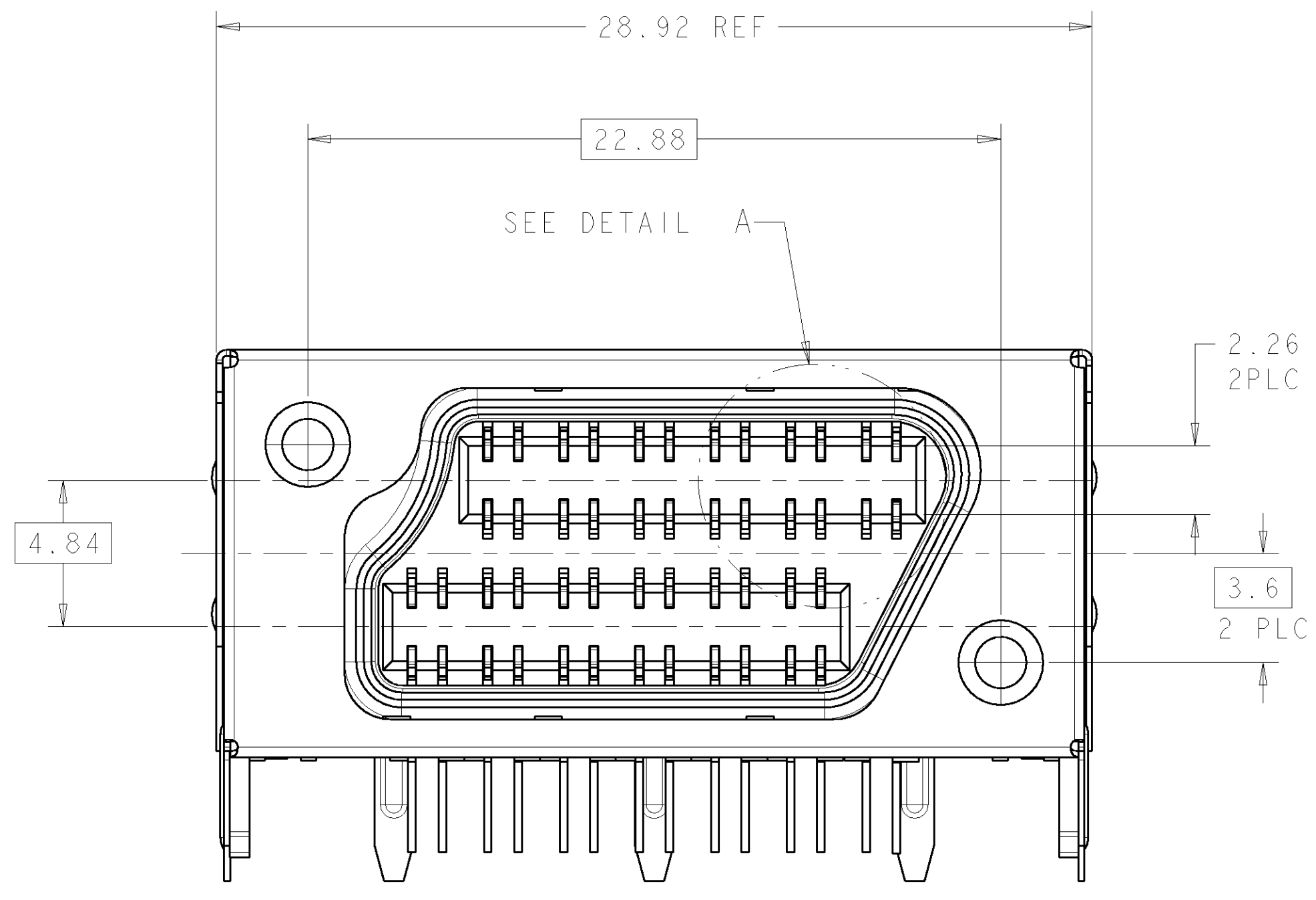


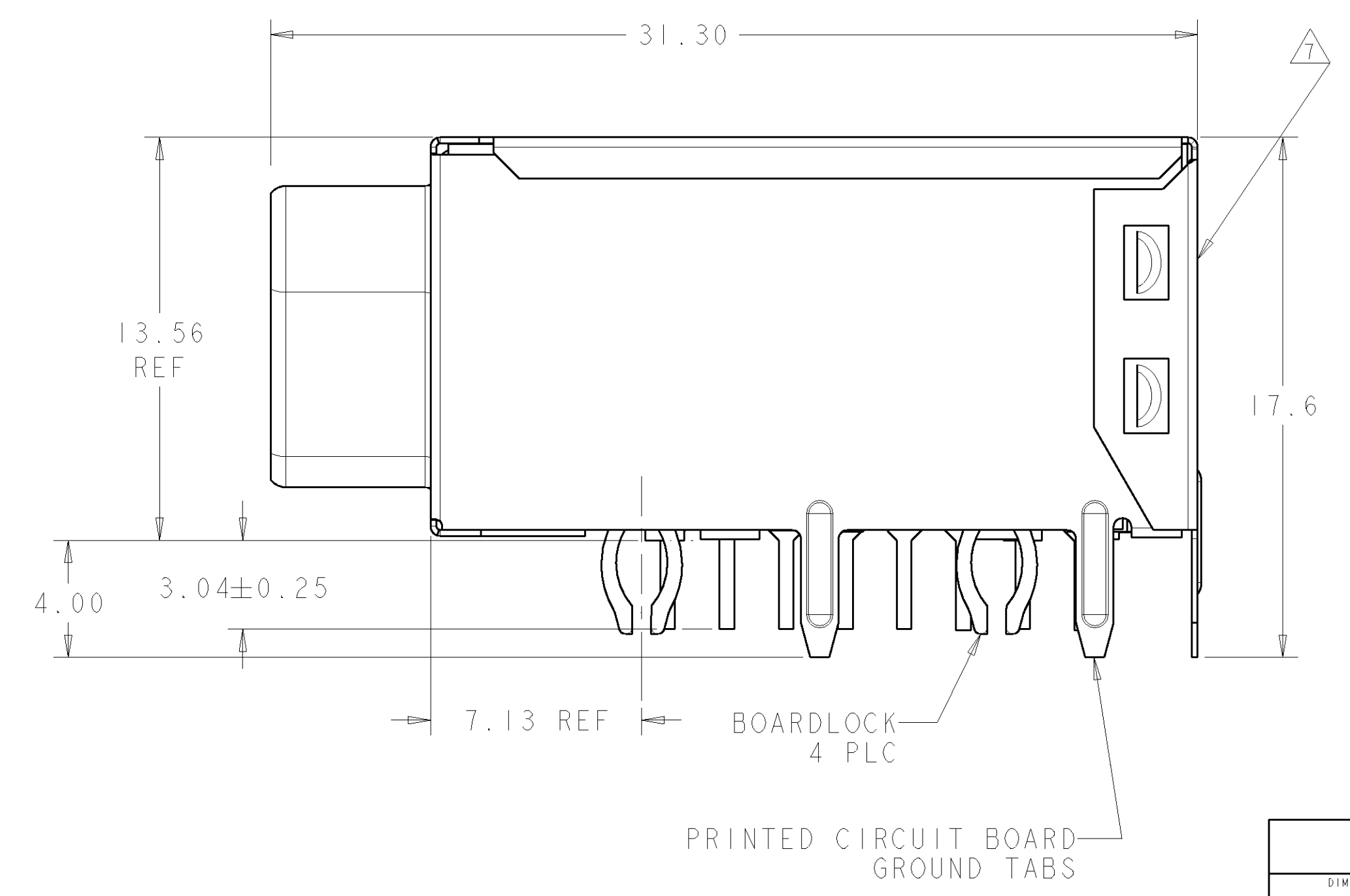
- 1 MATERIAL:
 HOUSING - BLACK THERMOPLASTIC, PBT FLAMMABILITY RATING UL 94V-0
 SHIELD -0.2 MM THICK BRASS - PLATED 1.98µm MIN THK. TIN OVER
 1.27µm MIN THK NICKEL. (EXCEPT 1761482-4 DOES NOT HAVE TIN)
 FRONT DRAWN SHELL - CARBON STEEL - PLATED WITH 5.08µm MIN NICKEL
 BOARD LOCKS - BRASS PLATED WITH 1.27µm MIN TIN OVER 1.27µm MIN NICKEL
 CONTACTS - 0.254 MM THK. PHOSPHOR BRONZE - ENTIRE TERMINAL PLATED
 WITH 2.54µm MIN NICKEL. MATING AREA PLATED WITH GOLD FLASH OVER
 0.76µm MIN Pd-Ni .SOLDER TAILS WITH 1.98µm MIN TIN
 INSERTS, THREADED - MILD STEEL
 SCREW LOCKS - STAINLESS STEEL.
- 3 THE SCREW LOCKS ARE FOR USE WITH JACKSCREWS TO PROVIDE CABLE RETENTION.
- 4 RECOMMENDED TORQUE FOR SCREW LOCK IS 4 IN-LB. FOR PANEL MOUNTED VERSION (1761482-1 AND 1761482-4).
 RECOMMENDED TORQUE FOR SCREW LOCK IS 2 IN-LB. FOR PANEL GROUND VERSION (1761482-2).
- 5 SCREW LOCK DESIGNATION:
 SCREW LOCKS MUST BE ORDERED SEPARATELY FROM TABLE BELOW.

> 1mm - < 2mm	1339381-4	100
	1339381-2	960
0mm - < 1mm	1339381-3	100
	1339381-1	960
PANEL THICKNESS	SCREW LOCK P/N	PKG QTY

- 6 IF DIM "A" NEEDS TO BE INCREASED FOR STRUCTURAL PURPOSES, A CUT-OUT WILL BE REQUIRED ON THE PCB TO CLEAR BOTTOM PANEL GROUNDS.
- 7 DATE CODE AND PART NUMBER LABEL IN APPROXIMATE AREA SHOWN.
- 9 DATUM AND BASIC DIMENSIONS ESTABLISHED BY CUSTOMER

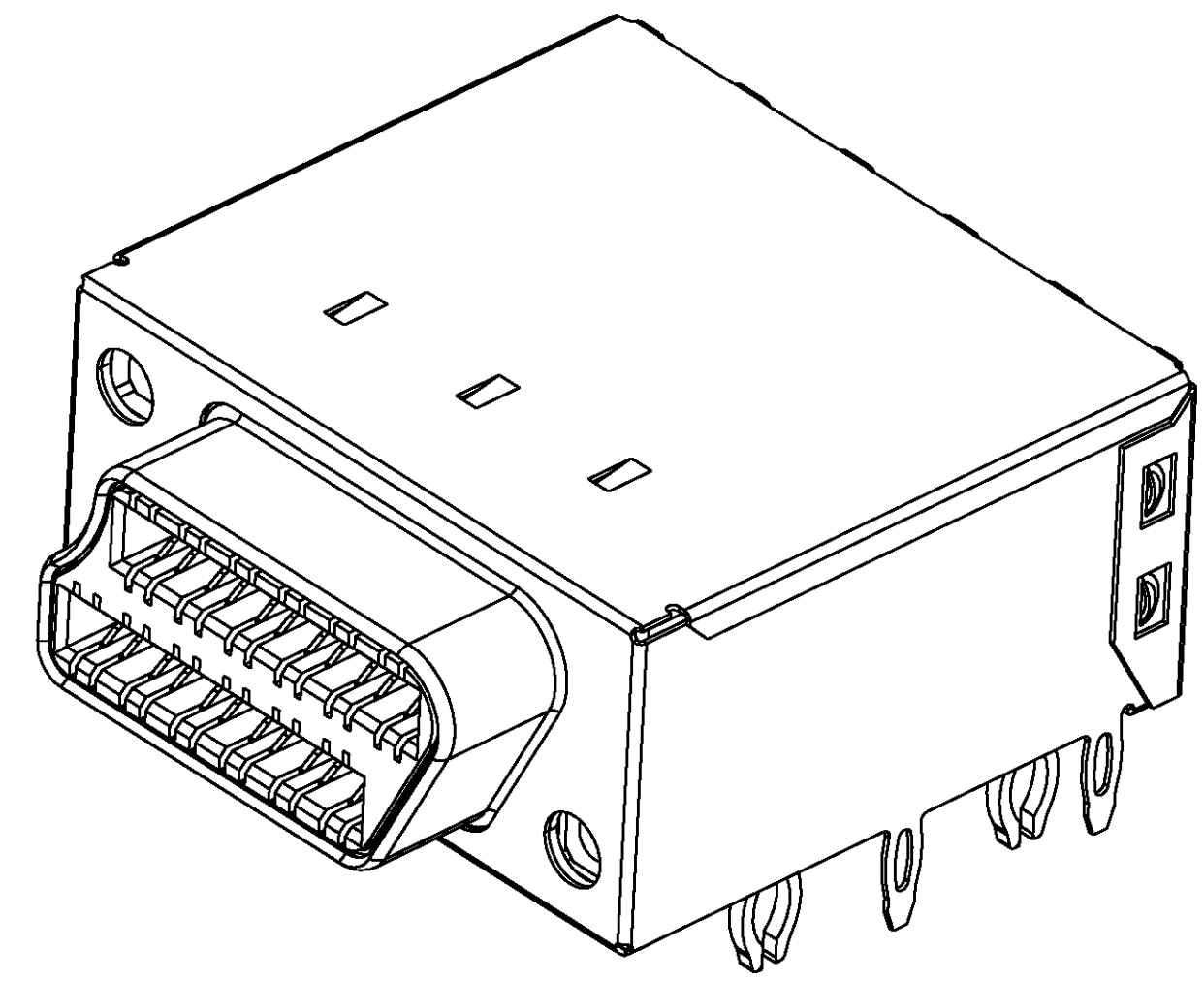


1761482-1 SHOWN

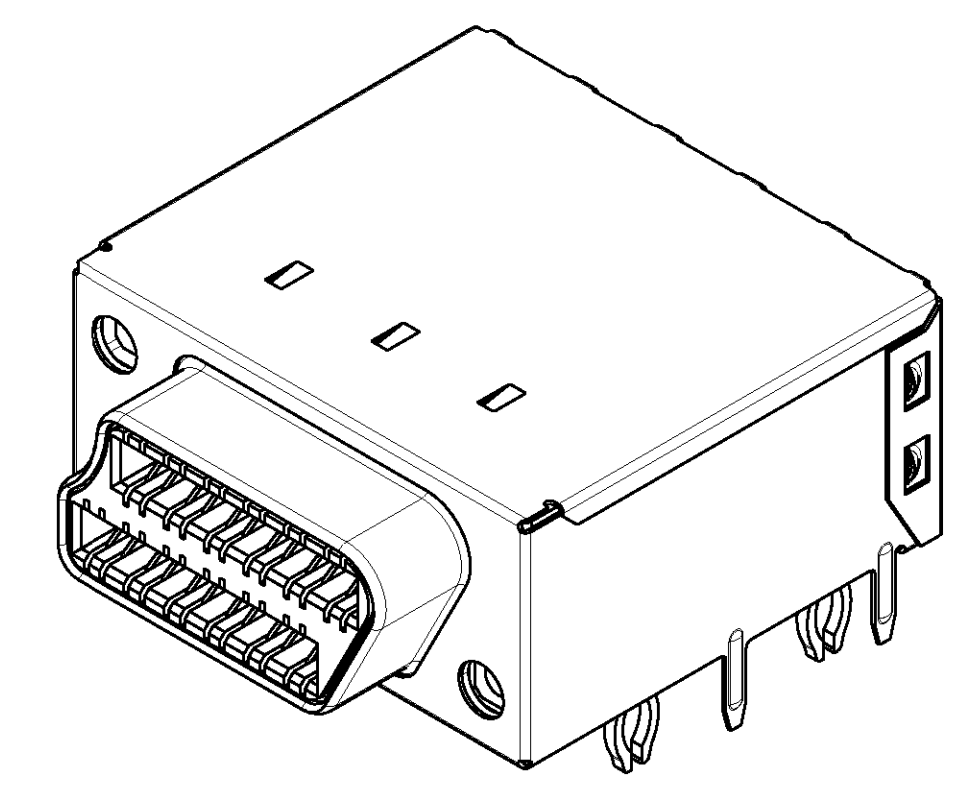


-	NO	1761482-4
2.8 6	YES	1761482-2
-	NO	1761482-1
DIM "A"	PANEL GROUND TABS	PART NUMBER

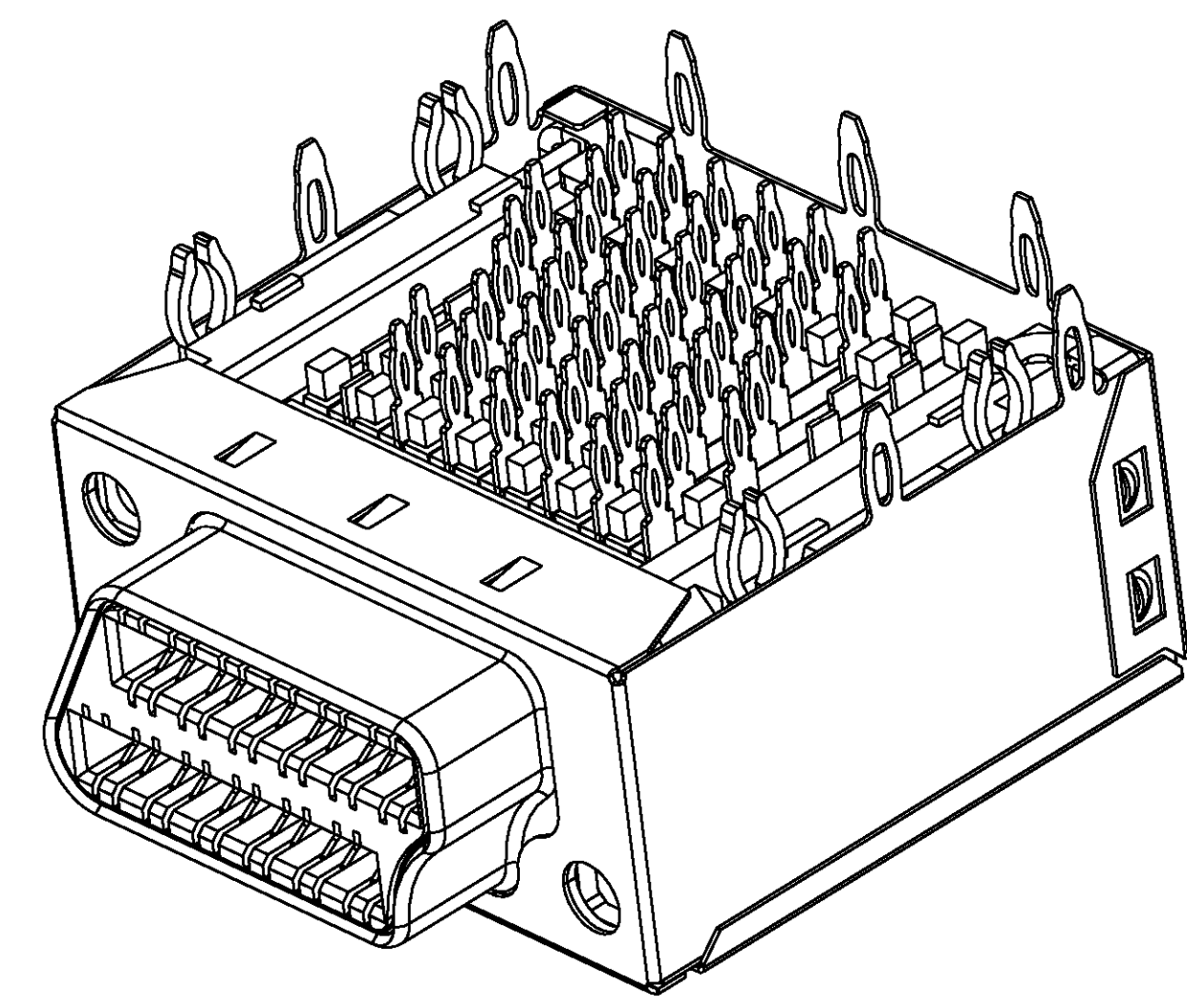
DIMENSIONS:		TOLERANCES UNLESS OTHERWISE SPECIFIED:		DWG: B. GRZYBOWSKI 14DEC2004		CHK: D. A. FAROLE 14DEC2004		APVD: D. A. FAROLE 14DEC2004		NAME: ASSEMBLY, RECEPTACLE, 48 POSITION, MRJ21		
mm	0 PLC ±0.13	1 PLC ±0.10	2 PLC ±0.10	3 PLC ±N/A	4 PLC ±N/A	ANGLES ±N/A	FINISH	PRODUCT SPEC	108-2064	APPLICATION SPEC	SIZE: CAGE CODE: DRAWING NO: 00779 C=1761482	
MATERIAL	-		-		WEIGHT		-		CUSTOMER DRAWING		RESTRICTED TO: -	
SCALE: 3:1										SHEET 1 OF 4		REV E1



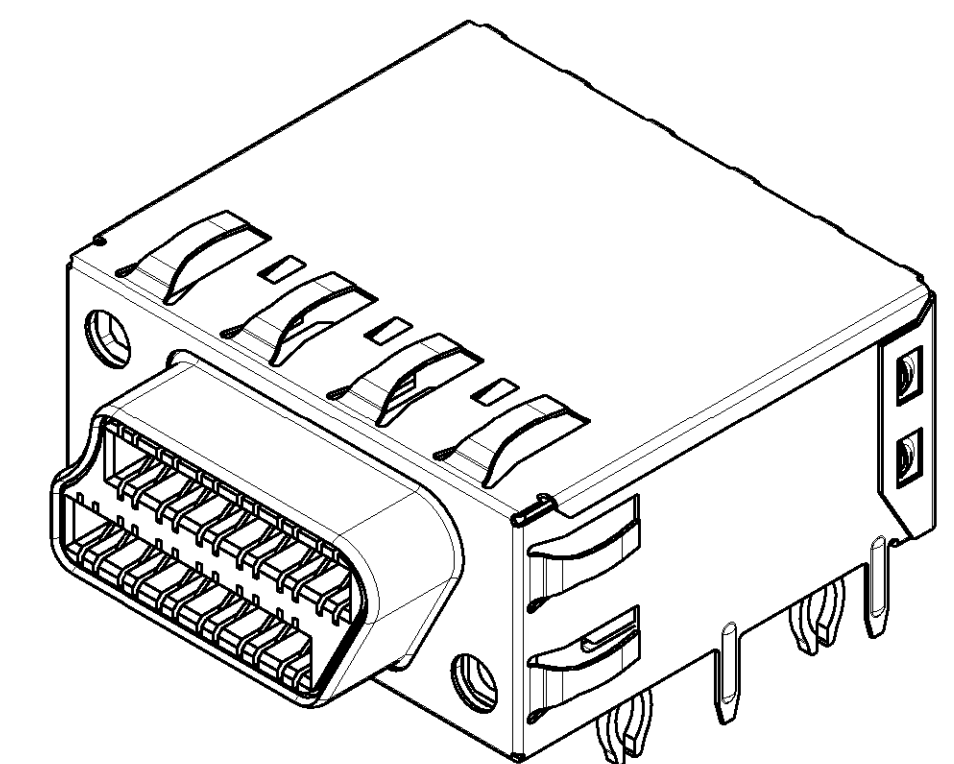
1761482-4 SHOWN
PRESS FIT
SCALE 4:1



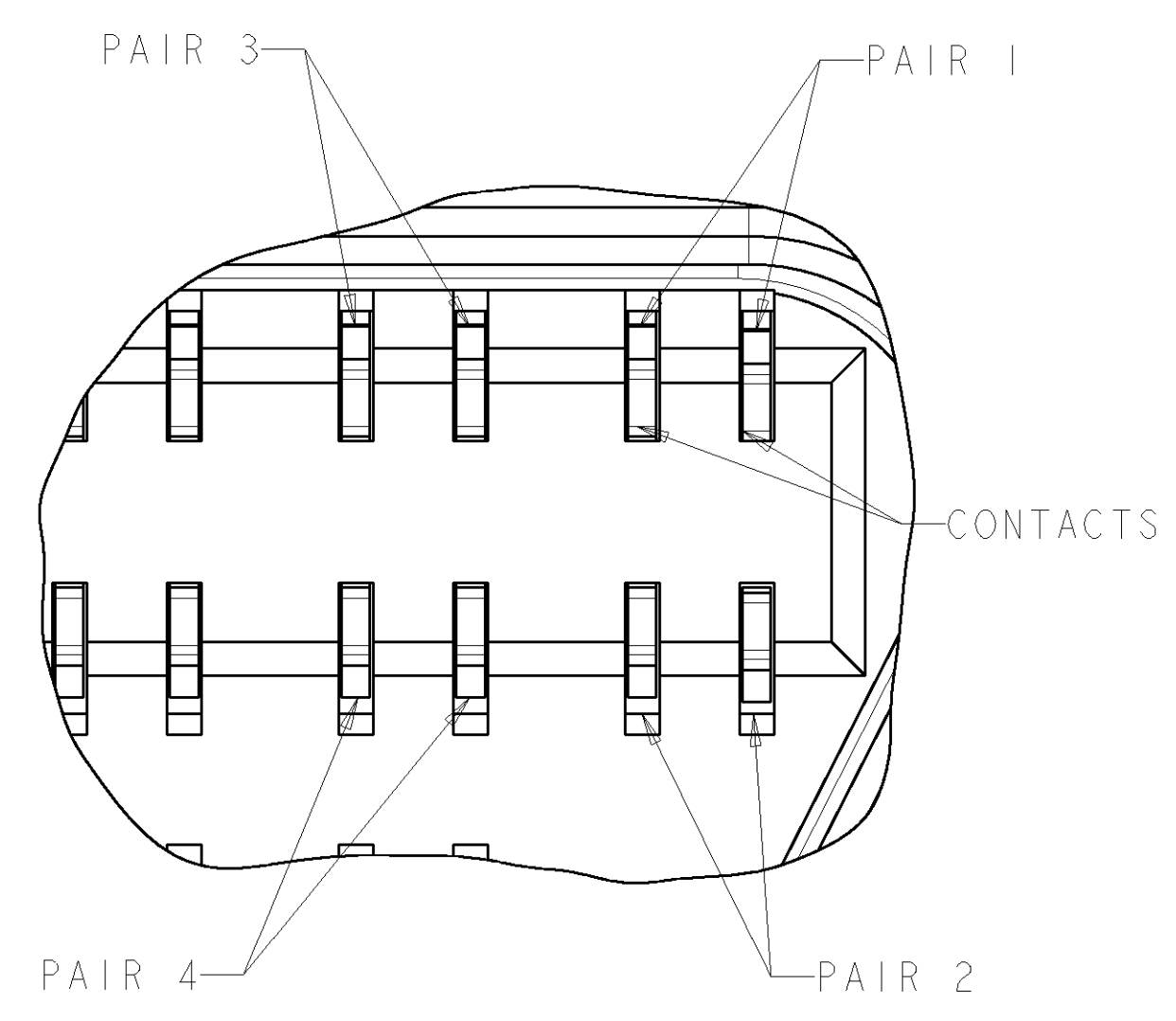
1761482-1 SHOWN
SCALE 3:1



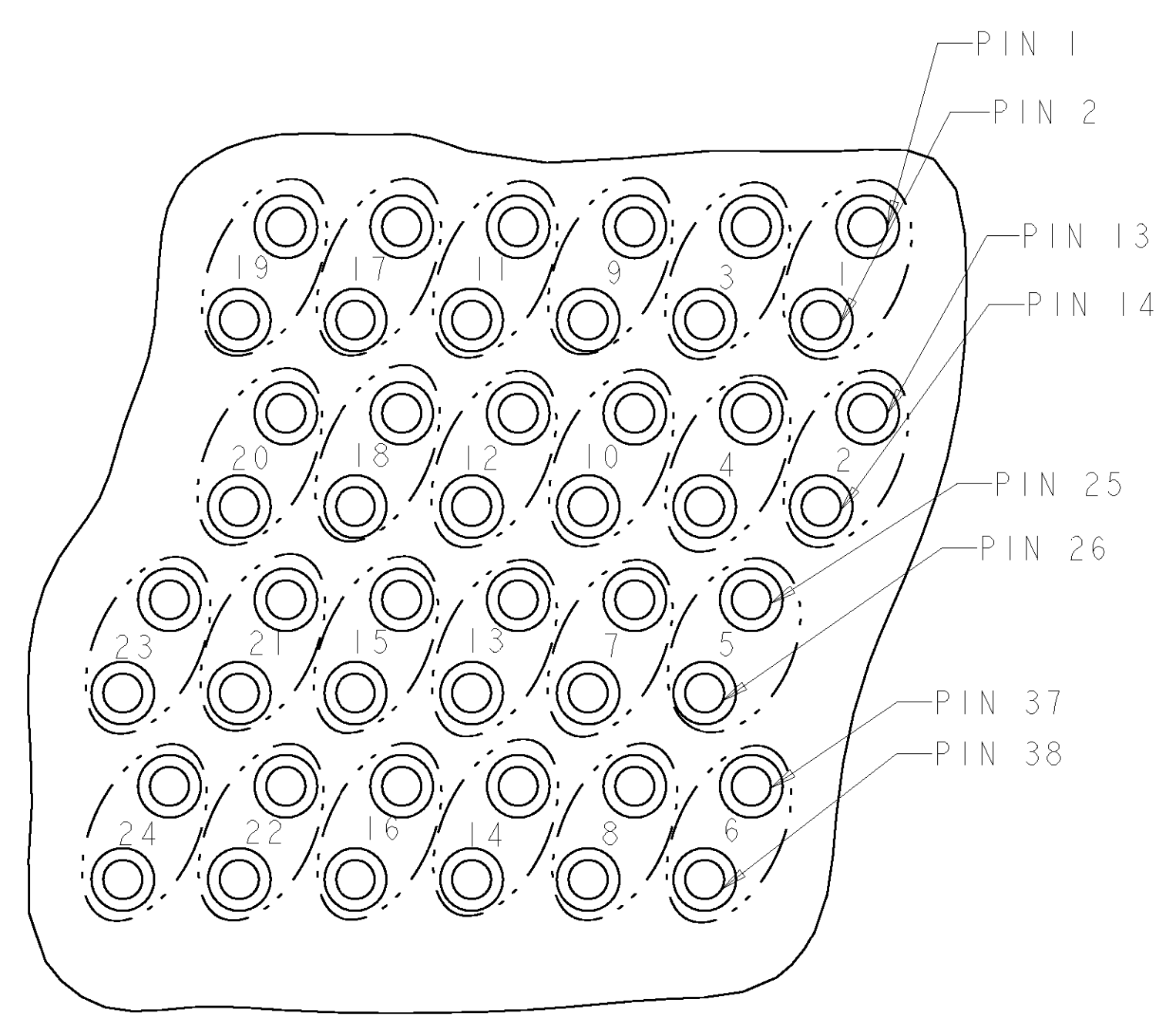
1761482-4
PRESS FIT
BOTTOM VIEW
SCALE 4:1



1761482-2 SHOWN
SCALE 3:1



DETAIL A
SCALE 16:1

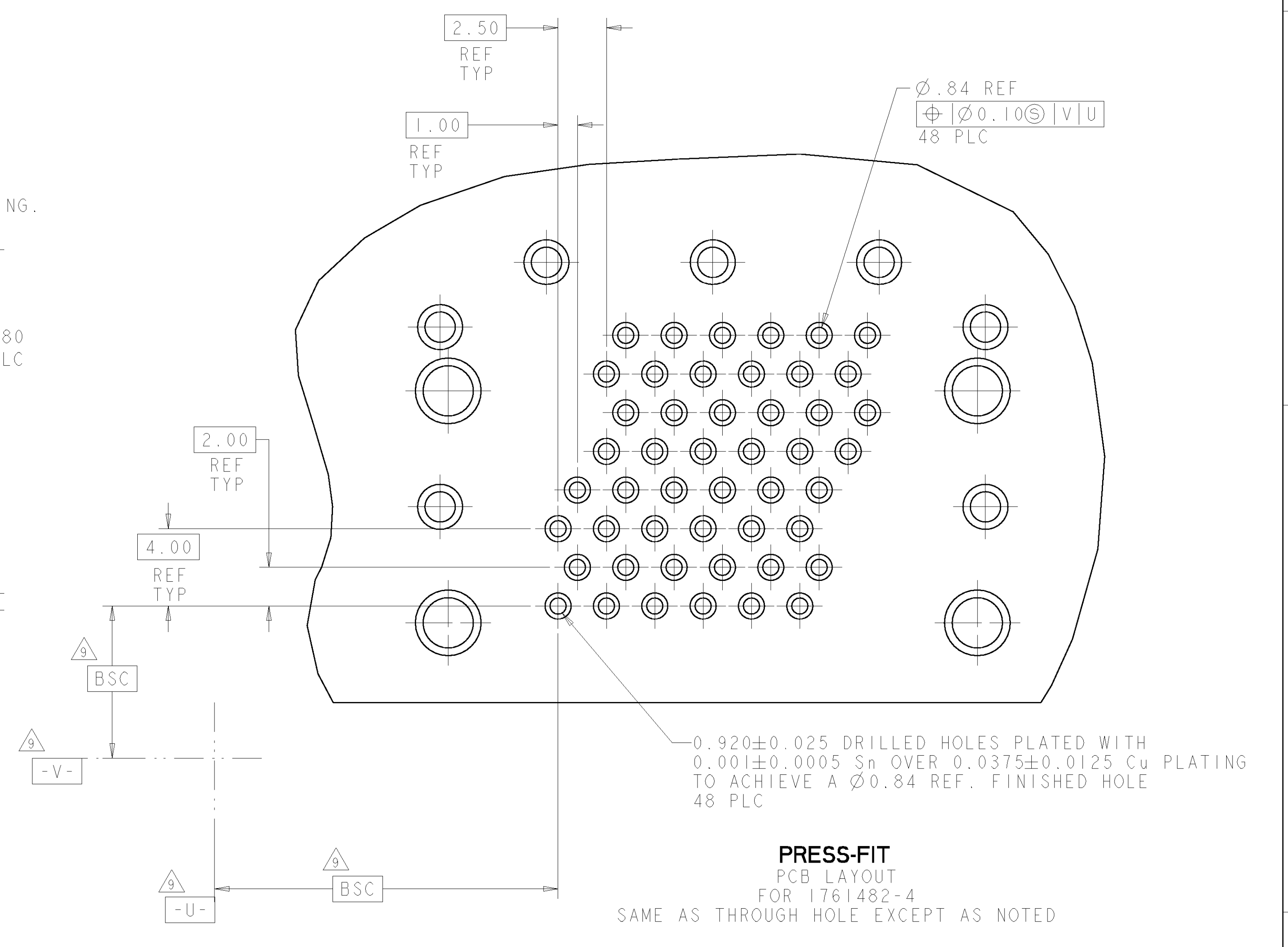
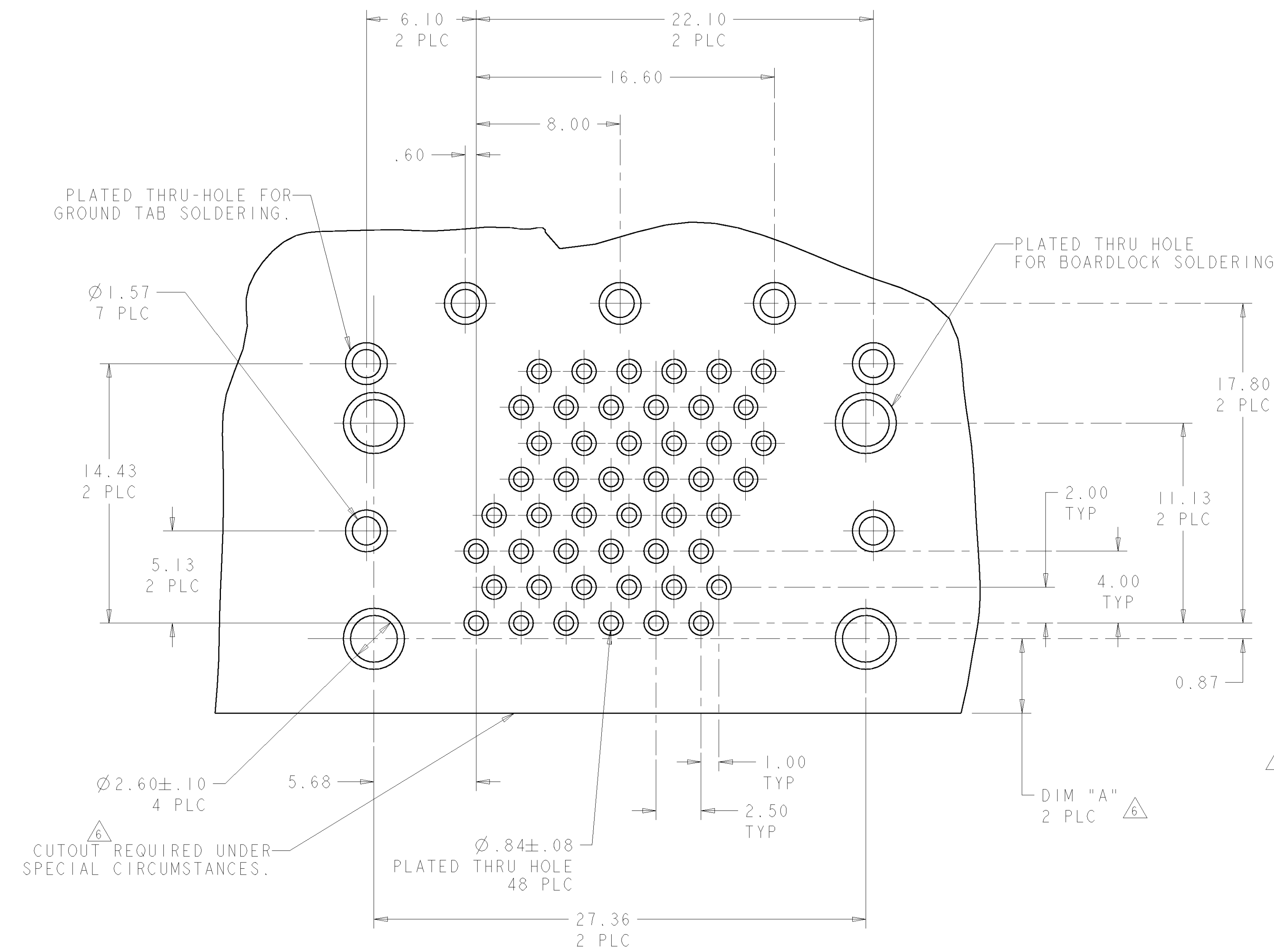


PROPOSED PAIR GROUPING

MODULAR PLUG AND RJ-21 PIN-OUT FOR USE IN 10/100/1000 BASE-T APPLICATIONS

GIG ETHERNET PORT	PLUG POSN.	COLOR	10/100 ETHERNET PORT	PLUG POSN.	COLOR	RJ-21 PIN	MRJ 21 PIN	MRJ 21 PAIR NUM		
1	5	WHT/BLU	1	1	WHT/BLU	26	1	1		
	4	BLU/WHT		2	BLU/WHT	1	2			
	3	WHT/ORG		3	WHT/ORN	27	13	2		
	6	ORG/WHT		6	ORN/WHT	2	14			
	2	1	WHT/GRN	2	1	WHT/GRN	28	3	3	
		2	GRN/WHT		2	GRN/WHT	3	4		
		7	WHT/BRN		3	WHT/BRN	29	15	4	
		8	BRN/WHT		6	BRN/WHT	4	16		
2	5	WHT/GRY	3	1	WHT/GRY	30	25	5		
	4	GRY/WHT		2	GRY/WHT	5	26			
	3	RED/BLU		3	RED/BLU	31	37		6	
	6	BLU/RED	6	BLU/RED	6	38				
	4	1	RED/ORG	4	1	RED/ORN	32	27		7
		2	ORG/RED		2	ORN/RED	7	28		
7		RED/GRN	3		RED/GRN	33	39	8		
8		GRN/RED	6		GRN/RED	8	40			
3	5	RED/BRN	5	1	RED/BRN	34	5	9		
	4	BRN/RED		2	BRN/RED	9	6			
	3	RED/GRY		3	RED/GRAY	35	17		10	
	6	GRY/RED	6	GRY/RED	10	18				
	6	1	BLK/BLU	6	1	BLK/BLU	36	7		11
		2	BLU/BLK		2	BLU/BLK	11	8		
7		BLK/ORG	3		BLK/ORN	37	19	12		
8		ORG/BLK	6		ORN/BLK	12	20			
4	5	BLK/GRN	7	1	BLK/GRN	38	29	13		
	4	GRN/BLK		2	GRN/BLK	13	30			
	3	BLK/BRN		3	BLK/BRN	39	41	14		
	6	BRN/BLK		6	BRN/BLK	14	42			
8	1	BLK/GRY	8	1	BLK/GRY	40	31	15		
	2	GRY/BLK		2	GRY/BLK	15	32			
	7	YEL/BLU		3	YEL/BLU	41	43	16		
	8	BLU/YEL		6	BLU/YEL	16	44			
	5	5		YEL/ORG	9	1	YEL/ORN	42	9	17
		4		ORG/YEL		2	ORN/YEL	17	10	
3		YEL/GRN	3	YEL/GRN		43	21	18		
6		GRN/YEL	6	GRN/YEL		18	22			
10		1	YEL/BRN	10		1	YEL/BRN	44	11	19
		2	BRN/YEL			2	BRN/YEL	19	12	
	7	YEL/GRY	3		YEL/GRY	45	23	20		
	8	GRY/YEL	6		GRY/YEL	20	24			
6	5	VIO/BLU	11	1	VIO/BLU	46	33	21		
	4	BLU/VIO		2	BLU/VIO	21	34			
	3	VIO/ORG		3	VIO/ORN	47	45	22		
	6	ORG/VIO		6	ORN/VIO	22	46			
	12	1		VIO/GRN	12	1	VIO/GRN	48	35	23
		2		GRN/VIO		2	GRN/VIO	23	36	
7		VIO/BRN	3	VIO/BRN		49	47	24		
8		BRN/VIO	6	BRN/VIO		24	48			

DIMENSIONS:		TOLERANCES UNLESS OTHERWISE SPECIFIED:		DRN: R. GRZYBOWSKI 4DEC2004		CHK: D. A. FAROLE 14DEC2004		APPR: D. A. FAROLE 14DEC2004		NAME: ASSEMBLY, RECEPTACLE, 48 POSITION, MRJ21	
mm		0 PLC ±.13		1 PLC ±.10		3 PLC #N/A		4 PLC #N/A		RESTRICTED TO	
MATERIAL:		FINISH:		WEIGHT:		SIZE: CAGE CODE: DRAWING NO:		SCALE: 3:1		SHEET 2 OF 4	
						00779		C=1761482		REV E1	
CUSTOMER DRAWING											

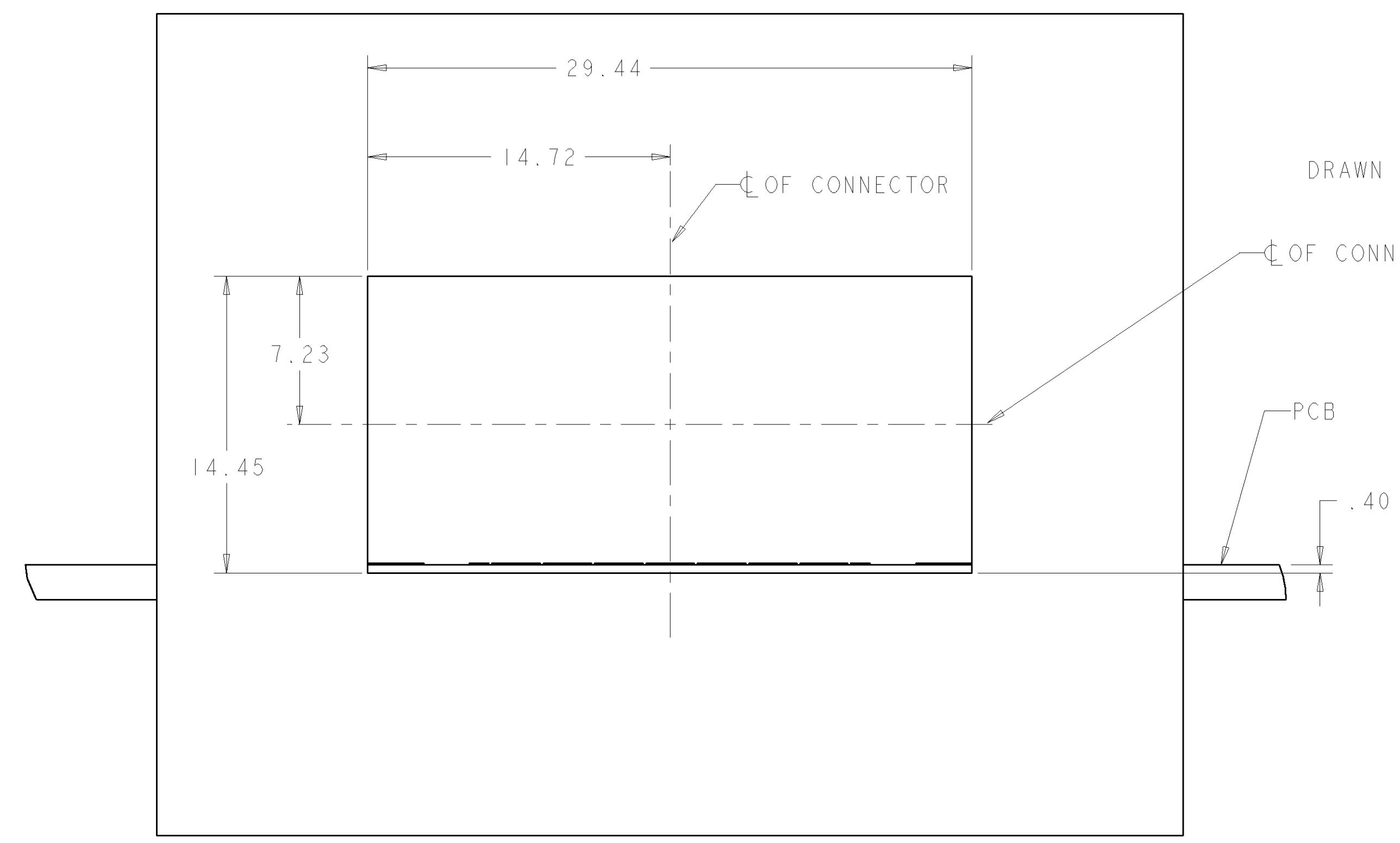


PCB LAYOUT
FOR THROUGH HOLE
COMPONENT SIDE

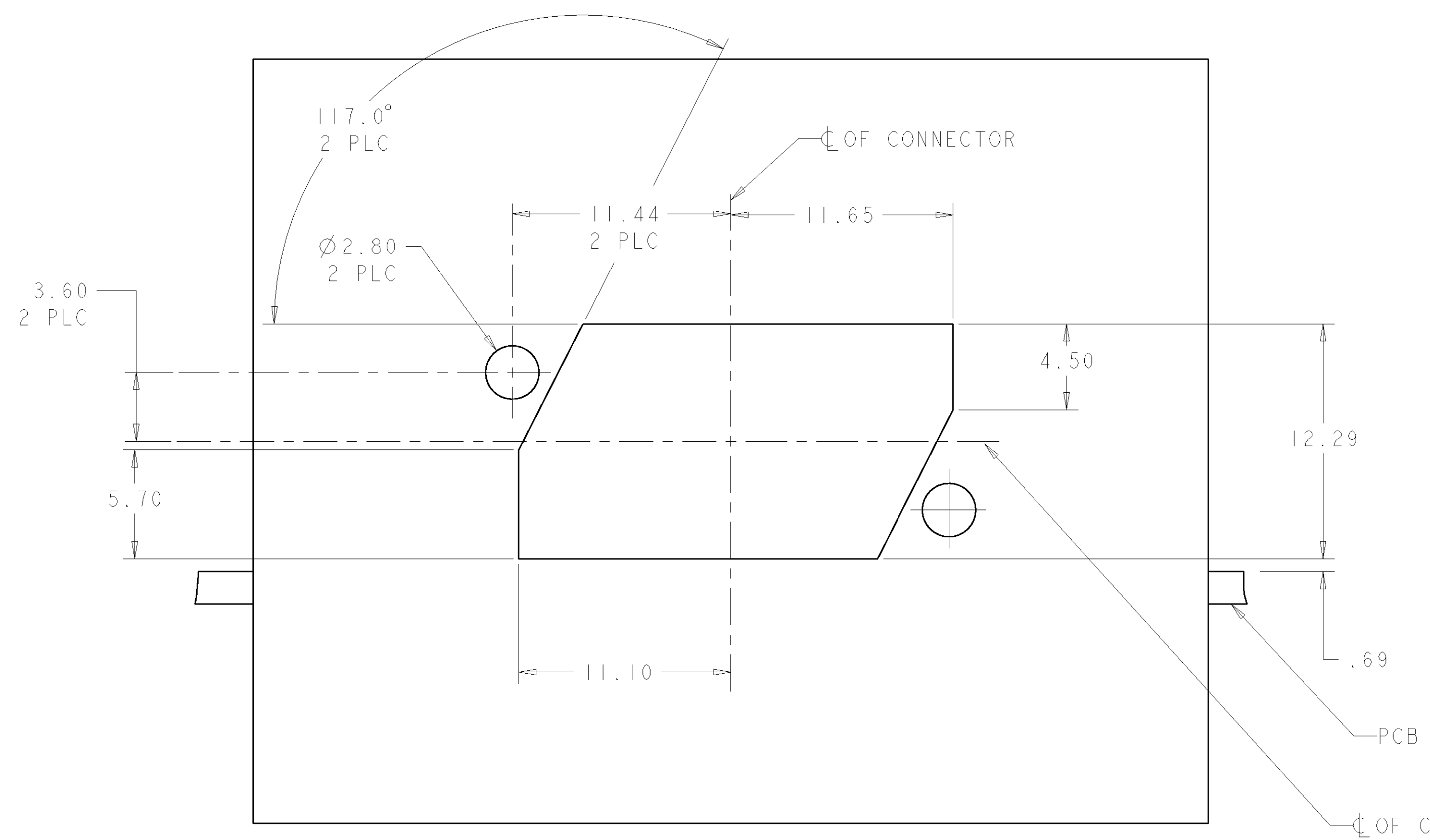
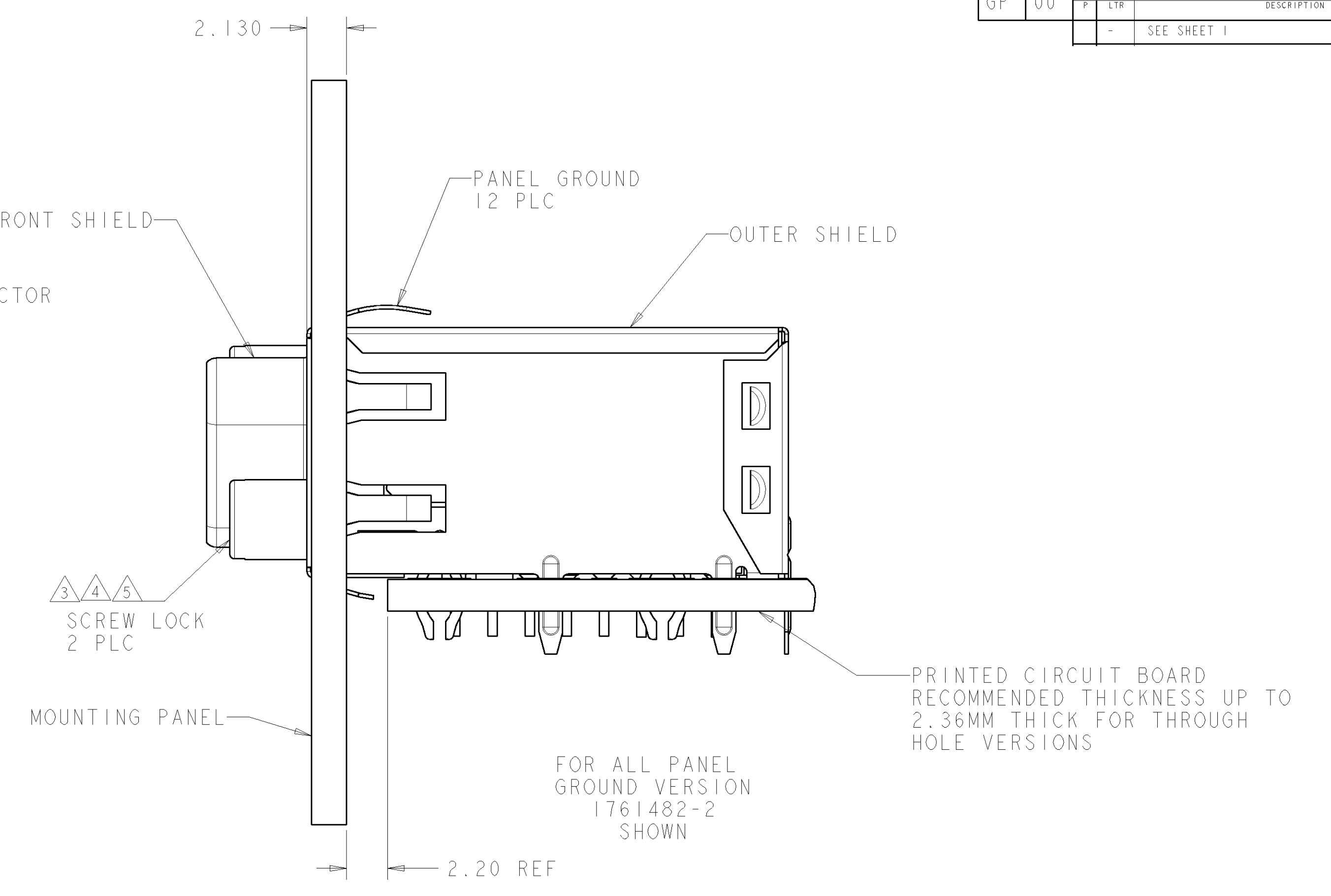
DIMENSIONS:		TOLERANCES UNLESS OTHERWISE SPECIFIED:		DWN B. GRZYBOWSKI CHK D. A. FAROLE APVD D. A. FAROLE		DATE 14DEC2004 14DEC2004		NAME ASSEMBLY, RECEPTACLE, 48 POSITION, MRJ21	
mm	Ø	0 PLC	±	PRODUCT SPEC	108-2064	SIZE	CAGE CODE	DRAWING NO	RESTRICTED TO
		1 PLC	±0.13	APPLICATION SPEC		A	00779	1761482	
		2 PLC	±0.10						
		3 PLC	±N/A						
		4 PLC	±N/A						
		ANGLES	±N/A						
MATERIAL	FINISH			WEIGHT					
CUSTOMER DRAWING				SCALE	3:1	SHEET	3	OF	4
				REV	E1				



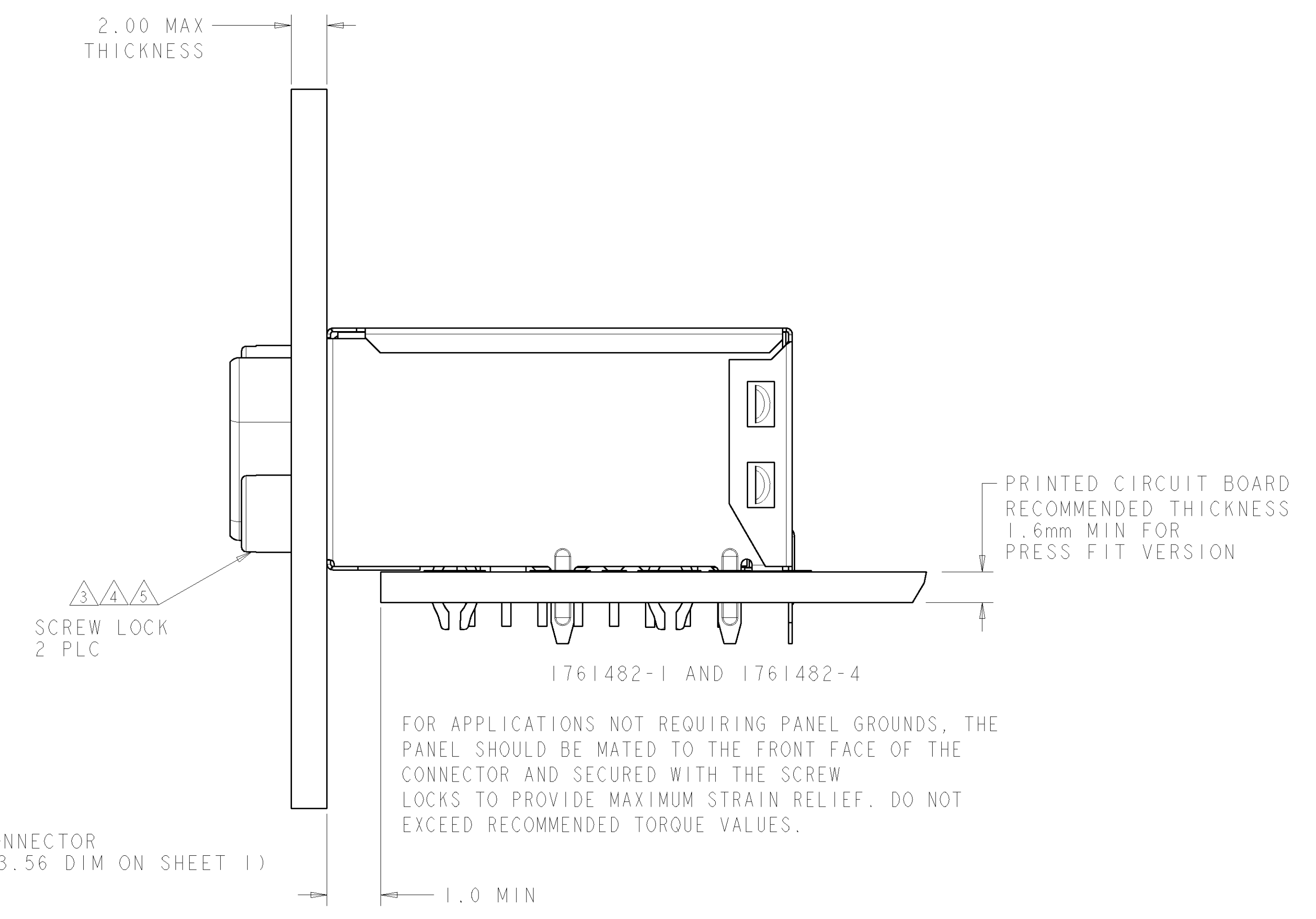
TE Connectivity



RECOMMENDED PANEL CUTOUT (WITH PANEL GROUNDS)
SCALE 5:1



RECOMMENDED PANEL CUTOUT (NO PANEL GROUNDS)
SCALE 5:1



DIMENSIONS:		TOLERANCES UNLESS OTHERWISE SPECIFIED:		DRN: B. GRZYBOWSKI 14DEC2004		CHK: D.A. FAROLE 14DEC2004		APVD: D.A. FAROLE 14DEC2004		NAME: ASSEMBLY, RECEPTACLE, 48 POSITION, MRJ21	
mm	0 PLC ±	1 PLC ±0.13	2 PLC ±0.10	3 PLC #N/A	4 PLC #N/A	ANGLES #N/A	FINISH -	PRODUCT SPEC 108-2064	APPLICATION SPEC -	SIZE: A1	CAGE CODE: 00779
MATERIAL -	FINISH -	WEIGHT -	CUSTOMER DRAWING		DRAWING NO: 1761482		SCALE: 3:1		SHEET: 4 OF 4		REV: E1