

Unit LoRaWAN915

SKU:U115



Description

Unit LoRaWAN915 is a LoRaWAN communication module suitable for 915MHz frequency launched by M5Stack. The module adopts the ASR6501 scheme, which supports long-distance communication and has both ultra-low power consumption and high sensitivity. The module integrates the LoRaWAN protocol stack and adopts a serial communication interface (using the AT command set for control). When used, it can be used as a collection node to access a large number of gateways for data collection and management. This module is suitable for long-distance low-power IoT communication applications, such as deployment of environmental monitoring nodes.



Note:

This module supports **US915** band plan only. NOT supports **AU915**.

Product Features

- ASR6501
- Supported US915
- SMA antenna
- Communication interface: UART
- Command protocol: AT command

Includes

- 1x Unit LoRaWAN915
- 1x SMA antenna

Application

- Automatic remote meter reading
- Intelligent traffic intelligent parking lot
- Remote irrigation and environmental monitoring

US915 supported countries



Argentina / Canada / Chile / Colombia / Ecuador / Greece
 Guatemala / Jamaica / Mexico / Nicaragua / Panama / United States / Uruguay



Specification

Specifications	Parameters
UART baud rate	115200
Net weight	12.8g
Gross weight	45g
Product Size	71.5*24*8mm
Package Size	95*65*25mm

Related Links

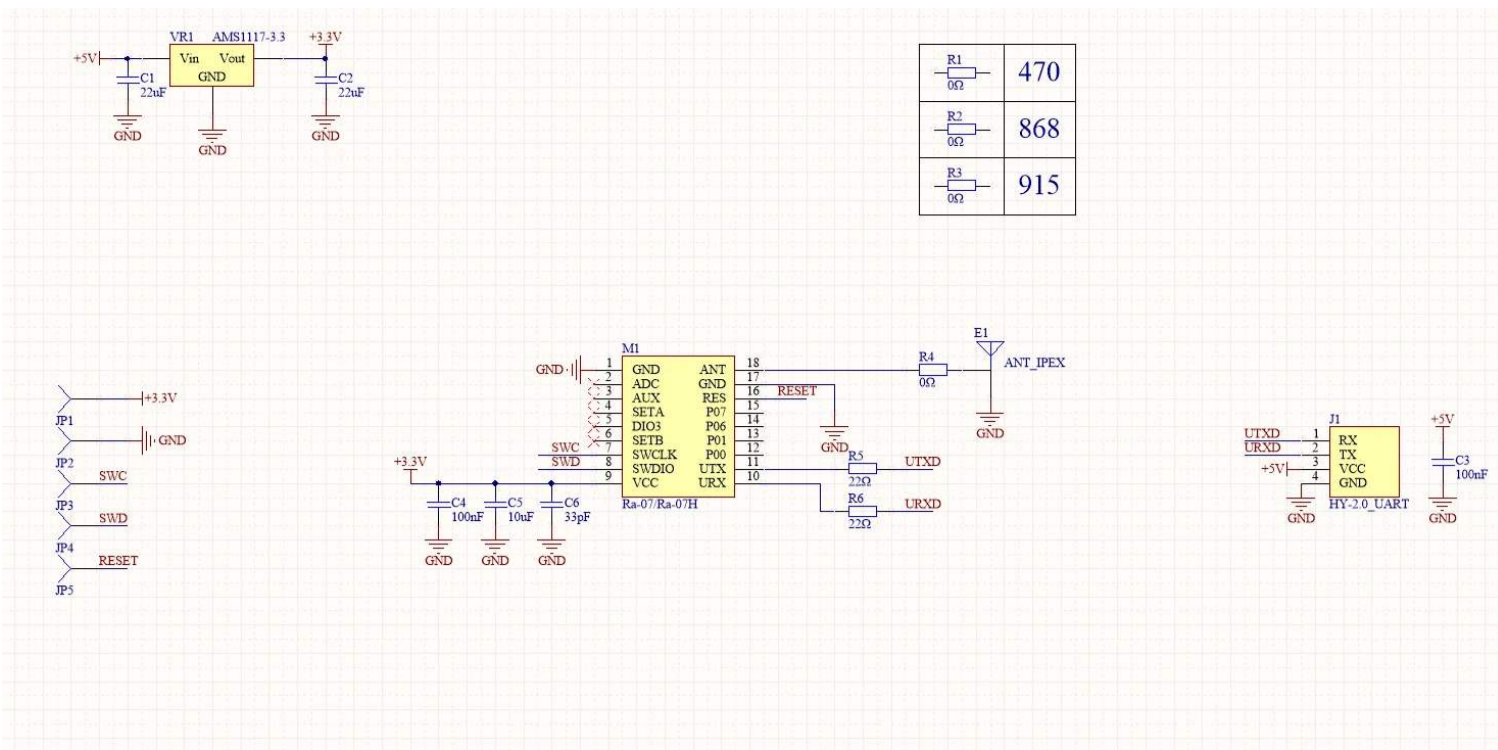
- [LoRaWAN915 AT Command](#)
- [LoRaWAN Regional Parameters](#)

Pin mapping

M5CORE	RX	TX
Unit LoRaWAN915	G17	G16

Schematic





Example

- [Arduino code example](#)

Video
