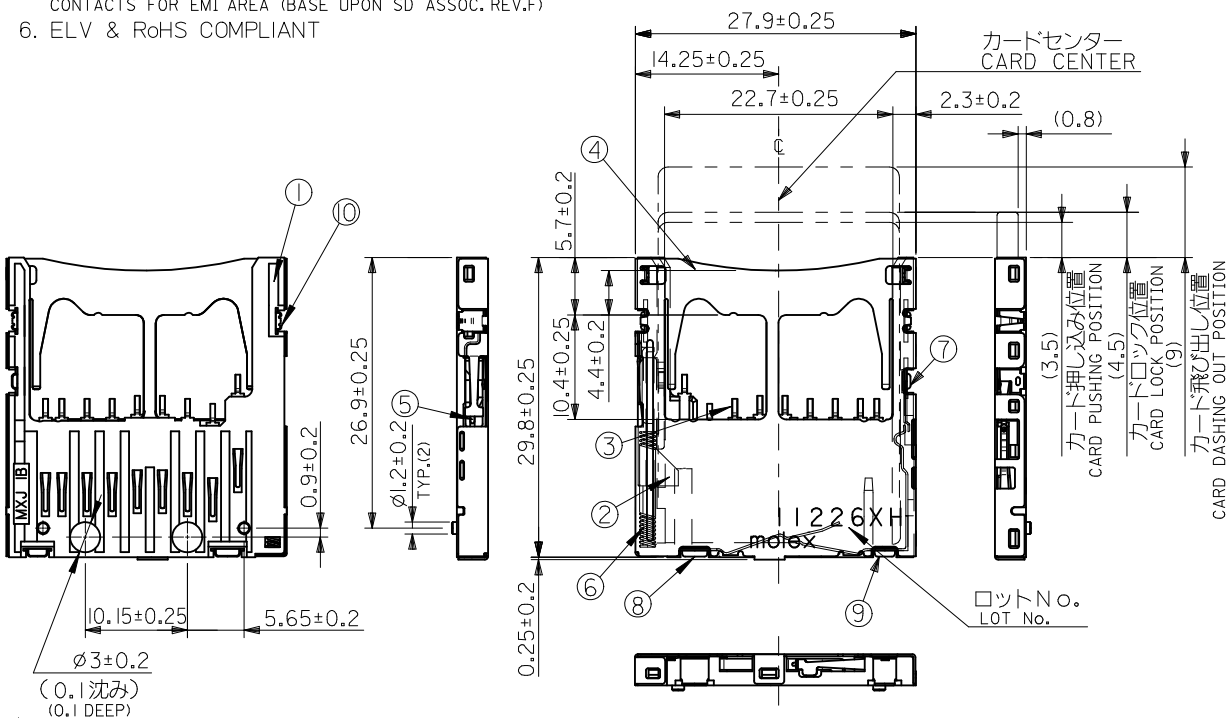
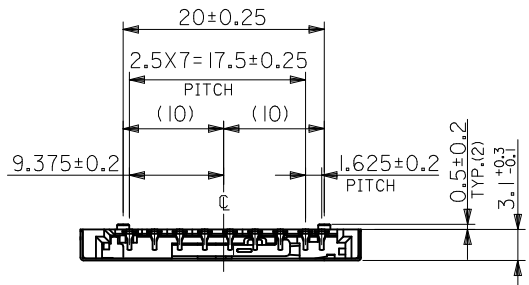


NOTES

- ターミナル及びネイル平坦度は 0.1 MAX.
TERMINAL AND NAIL COPLANARITY TO BE 0.1 MAX.
- 各スイッチのオープン/クローズ
OPENING/CLOSE OF EACH SWITCH
- 納入時、プッシュプッシュ機構はアンロック状態
(カード飛び出し位置)
WHEN DELIVERING, THE PUSH/PUSH MECHANISM IS IN
THE STATE OF THE UNLOCK.
(CARD DASHING OUT POSITION)
- 推奨基板厚 : 0.8±0.1
RECOMMENDED P.C.B. THICKNESS: 0.8±0.1
- EMI 用コンタクト範囲 (SD ASSOC. REV.F に準拠)
CONTACTS FOR EMI AREA (BASE UPON SD ASSOC. REV.F)
- ELV & RoHS COMPLIANT



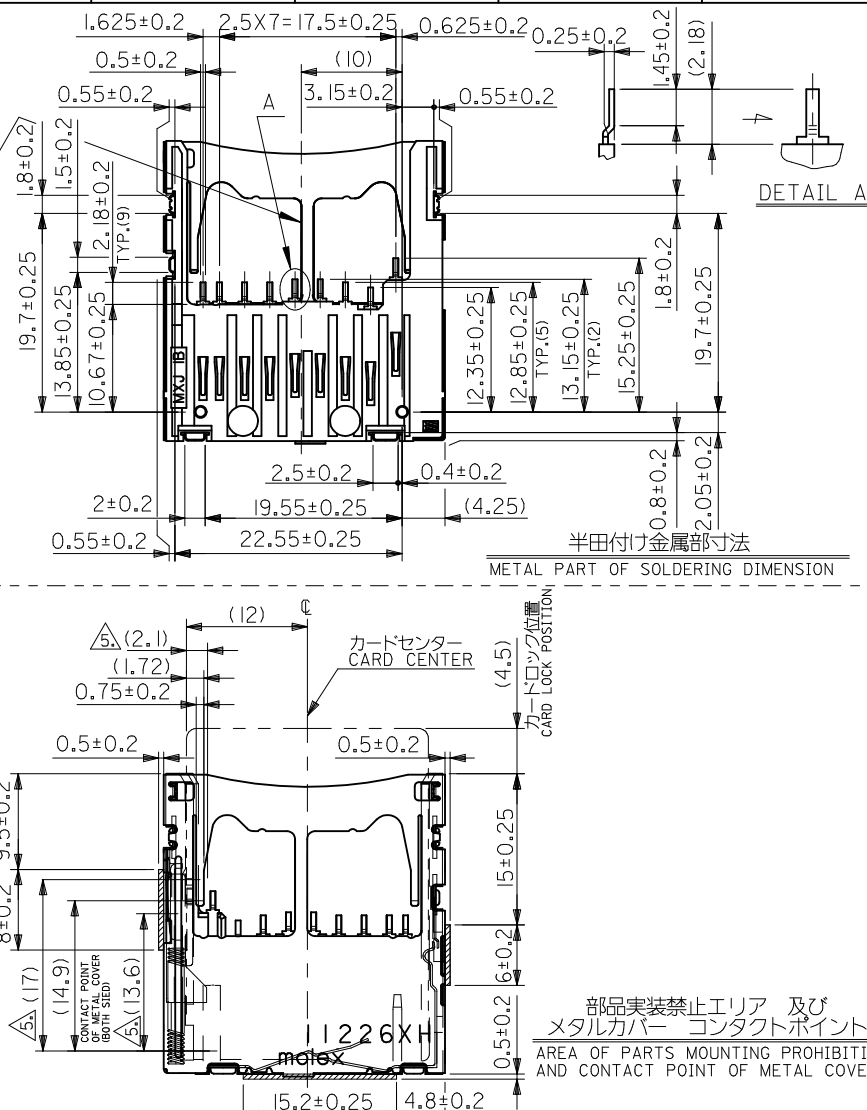
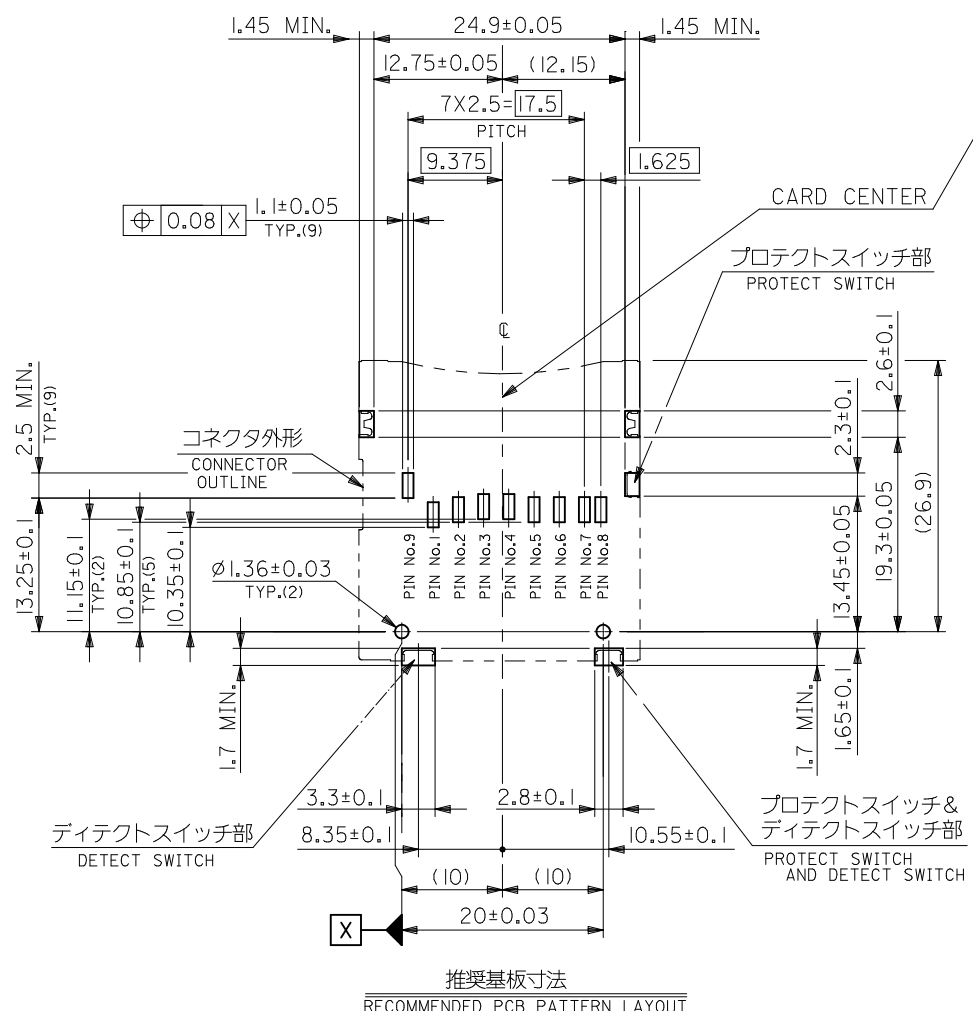
NO.	NAME	QTY	MATERIAL
①	ハウジング HOUSING	1	液晶ポリマー(LCP),ガラス充填,UL94V-0,黒 LIQUID CRYSTAL POLYMER(LCP),GLASS FILLED UL94V-0, BLACK
②	スライダーカム SLIDER CAM	1	液晶ポリマー(LCP),ガラス充填,UL94V-0,黒 LIQUID CRYSTAL POLYMER(LCP),GLASS FILLED UL94V-0, BLACK
③	ターミナル TERMINAL	9	燐青銅 PHOSPHOR BRONZE 接点部: 金めっき (0.2µm以上) 接点部: ニッケルパラジウムめっき (0.3µm以上) テール部: 鍍めっき (1.0µm以上) 下地: ニッケルめっき (1.5µm以上) CONTACT: GOLD PLATING(0.2MICROMETER MINIMUM.) CONTACT: PALLADIUM-NICKEL PLATING (0.3MICROMETER MINIMUM.) SOLDER TAIL: TIN PLATING(1.0MICROMETER MINIMUM.) UNDERPLATE: NICKEL OVERALL (1.5MICROMETER MINIMUM.)
④	メタルカバー METAL COVER	1	ステンレス鋼 STAINLESS STEEL
⑤	ピン PIN	1	ステンレス鋼 STAINLESS STEEL
⑥	スプリング SPRING	1	ピアノ線 SWP 全面: ニッケルメッキ (1.0µm以上) NICKEL OVERALL(1.0MICROMETER MINIMUM.)
⑦	プロテクトターミナル PROTECT TERMINAL	1	燐青銅 PHOSPHOR BRONZE 接点部: 金めっき (0.2µm以上) テール部: 鍍めっき (1.0µm以上) 下地: ニッケルめっき (2.0µm以上) CONTACT: GOLD PLATING(0.2MICROMETER MINIMUM.) SOLDER TAIL: TIN PLATING(1.0MICROMETER MINIMUM.) UNDERPLATE: NICKEL OVERALL (2.0MICROMETER MINIMUM.)
⑧	ディテクトターミナル DETECT TERMINAL	1	燐青銅 PHOSPHOR BRONZE 接点部: 金めっき (0.2µm以上) 接点部: ニッケルパラジウムめっき (0.3µm以上) テール部: 鍍めっき (1.0µm以上) 下地: ニッケルめっき (1.5µm以上) CONTACT: GOLD PLATING(0.2MICROMETER MINIMUM.) CONTACT: PALLADIUM-NICKEL PLATING (0.3MICROMETER MINIMUM.) SOLDER TAIL: TIN PLATING(1.0MICROMETER MINIMUM.) UNDERPLATE: NICKEL OVERALL (1.5MICROMETER MINIMUM.)
⑨	プロテクト& ディテクトターミナル PROTECT TERMINAL AND DETECT TERMINAL	1	燐青銅 PHOSPHOR BRONZE 接点部: 金めっき (0.2µm以上) 接点部: ニッケルパラジウムめっき (0.3µm以上) テール部: 鍍めっき (1.0µm以上) 下地: ニッケルめっき (1.5µm以上) CONTACT: GOLD PLATING(0.2MICROMETER MINIMUM.) CONTACT: PALLADIUM-NICKEL PLATING (0.3MICROMETER MINIMUM.) SOLDER TAIL: TIN PLATING(1.0MICROMETER MINIMUM.) UNDERPLATE: NICKEL OVERALL (1.5MICROMETER MINIMUM.)
⑩	ネイル NAIL	2	黄銅 BRASS 鍍めっき (1.0µm以上) 下地: ニッケルめっき (1.0µm以上) TIN PLATING(1.0MICROMETER MINIMUM.) UNDERPLATE: NICKEL OVERALL (1.0MICROMETER MINIMUM.)

	プロテクトターミナル PROTECT TERMINAL		ディテクトターミナル DETECT TERMINAL
	カード書き込み 禁止状態 WRITE PROTECT POSITION	カード書き込み 可能状態 WRITE ENABLE POSITION	
カード未装着状態 CARD UNINSERTION	オープン OPEN	オープン OPEN	オープン OPEN
カード装着過程 CARD HALF INSERTION	クローズ CLOSE	クローズ CLOSE	オープン OPEN
カード装着 CARD INSERTION	オープン OPEN	クローズ CLOSE	クローズ CLOSE

REVISED EC NO: J2010-1147 DRWN: HAYASHI 2009/12/01 CHKD: MITSUITA 2009/12/02 APPR: NUKITA 2009/12/02	DESCRIPTION	GENERAL TOLERANCES (UNLESS SPECIFIED)
A		10 UNDER ±0.2 10 OVER 30 UNDER ±0.25 30 OVER ±0.3 ANGULAR ±3 ° DRAFT WHERE APPLICABLE MUST REMAIN WITHIN DIMENSIONS

DIMENSION STYLE MM ONLY		SCALE ---	DESIGN UNITS METRIC
DRAWN BY YSUGIURA	DATE 2004/12/08	TITLE SD CARD CONN.ASS'Y ULTRA SHORT NAIL NORMAL - LEAD FREE -	
CHECKED BY MTANAKA	DATE 2004/12/08	MOLEX INCORPORATED	
APPROVED BY NUKITA	DATE 2004/12/08	MATERIAL NO. SEE CHART	DOCUMENT NO. SD-500999-002
SIZE A3		SHEET NO. 1 OF 2	

500999-0900
EMBOSSSED TAPE PACKAGE
オーダー番号 ORDER NO.
CONNECTOR SERIES NO.: 500999-****
THIRD ANGLE PROJECTION
SD CARD CONN.ASS'Y
ULTRA SHORT NAIL NORMAL
- LEAD FREE -
MOLEX INCORPORATED
THIS DRAWING CONTAINS INFORMATION THAT IS PROPRIETARY TO MOLEX
INCORPORATED AND SHOULD NOT BE USED WITHOUT WRITTEN PERMISSION



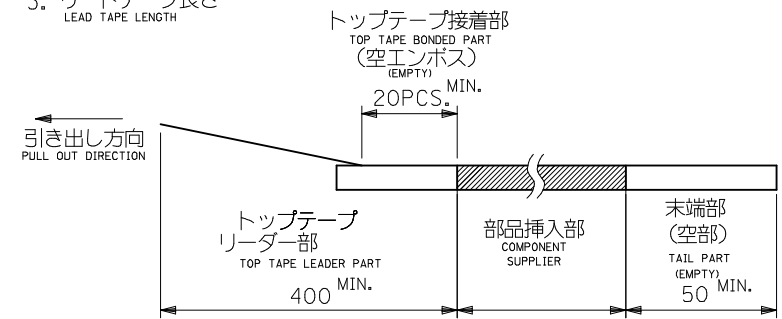
REVISIONS		GENERAL TOLERANCES (UNLESS SPECIFIED)	DIMENSION STYLE MM ONLY	SCALE ---	DESIGN UNITS METRIC	THIRD ANGLE PROJECTION
REV	DESCRIPTION					
A	REVISED EC NO: J2010-1147 DRWN:MHAYASHI 2009/12/01 CHKD:MTOMITA 2009/12/02 APPR:NUKITA 2009/12/02	10 UNDER ±0.2 10 OVER 30 UNDER ±0.25 30 OVER ±0.3 ANGULAR ±3 ° DRAFT WHERE APPLICABLE MUST REMAIN WITHIN DIMENSIONS	DRAWN BY DATE YUSUGIURA 2004/12/08 CHECKED BY DATE MTANAKA 2004/12/08 APPROVED BY DATE NUKITA 2004/12/08	TITLE SD CARD CONN.ASS'Y ULTRA SHORT NAIL NORMAL - LEAD FREE - MATERIAL NO. SEE SHEET 1 OF 2 SIZE A3	TITLE SD CARD CONN.ASS'Y ULTRA SHORT NAIL NORMAL - LEAD FREE - DOCUMENT NO. SD-500999-002	SHEET NO. 2 OF 2

MOLEX INCORPORATED

THIS DRAWING CONTAINS INFORMATION THAT IS PROPRIETARY TO MOLEX INCORPORATED AND SHOULD NOT BE USED WITHOUT WRITTEN PERMISSION

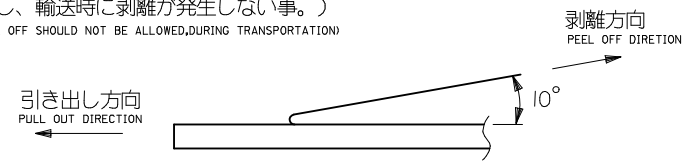
注)
NOTES

- 製品番号 500999-0909 の詳細寸法については、SD 図面を参照下さい。
IN THE PACKAGE, PART NO. 500999-0909 DETAILED DIMENSIONS, SEE SALES DRAWING.
- 梱包数量 : 400 個/リール
NUMBER OF CONNECTORS : 400 PCS/REEL
- リードテープ長さ
LEAD TAPE LENGTH

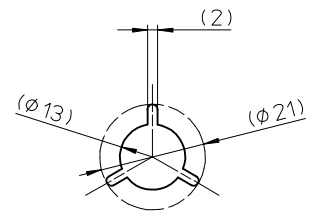
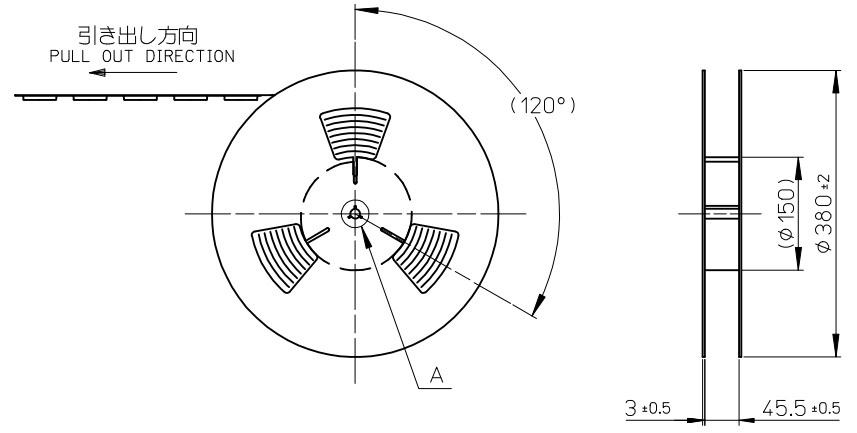


- トップテープの剥離強度 : (剥離方向は下図参照)
PEELING OFF FORCE OF TOP TAPE (PEELING DIRECTION AS SHOWN IN FOLLOWING FIG.)
0. 1~1. 3N (10. 2~130gf) : キャリアテープ幅 44mm
CARRIER TAPE WIDTH 44mm

尚、本規格値は、出荷時に適用。
THIS REQUIREMENT SHOULD BE APPLIED AT SHIPMENT
(但し、輸送時に剥離が発生しない事。)
(PEEL OFF SHOULD NOT BE ALLOWED DURING TRANSPORTATION)



- 材料
MATERIAL
キャリアテープ : ポリプロピレン (PP)
CARRIER TAPE : POLYPROPYLENE (PP)
トップテープ : PET, PE, PEF
TOP TAPE : PET, PE, PEF
リール : 紙/プラスチック
REEL : CARD BOARD/PLASTIC

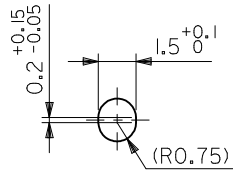


DETAIL A
SCALE 1:1

500999-0900	500999-****
MATERIAL No.	MODEL No.
THIRD ANGLE PROJECTION	

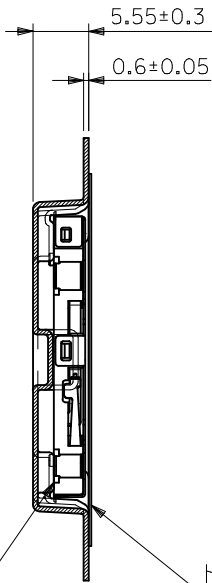
RELEASED EC NO: J2005-1785 DRW: JSAMORI 2004/12/17 CHK: NUKITA 2004/12/17 APPR: NUKITA 2004/12/24	GENERAL TOLERANCES (UNLESS SPECIFIED)		DIMENSION STYLE MM ONLY		SCALE ---	DESIGN UNITS METRIC	TITLE EMBOSS TAPE PACKAGE FOR 50999-0909 - LEAD FREE -	
	10 UNDER	± 0.25	DRAWN BY YSUGIURA	DATE 2004/12/10	MOLEX MOLEX INCORPORATED			
	10 OVER 30 UNDER	± 0.25	CHECKED BY MTANAKA	DATE 2004/12/10				
	30 OVER	± 0.3	APPROVED BY NUKITA	DATE 2004/12/10	MATERIAL NO. SEE CHART	DOCUMENT NO. SD-500999-004	SHEET NO. 1 OF 2	
ANGULAR ± 3 °		DRAFT WHERE APPLICABLE MUST REMAIN WITHIN DIMENSIONS		THIS DRAWING CONTAINS INFORMATION THAT IS PROPRIETARY TO MOLEX INCORPORATED AND SHOULD NOT BE USED WITHOUT WRITTEN PERMISSION				

10 9 8 7 6 5 4 3 2 1



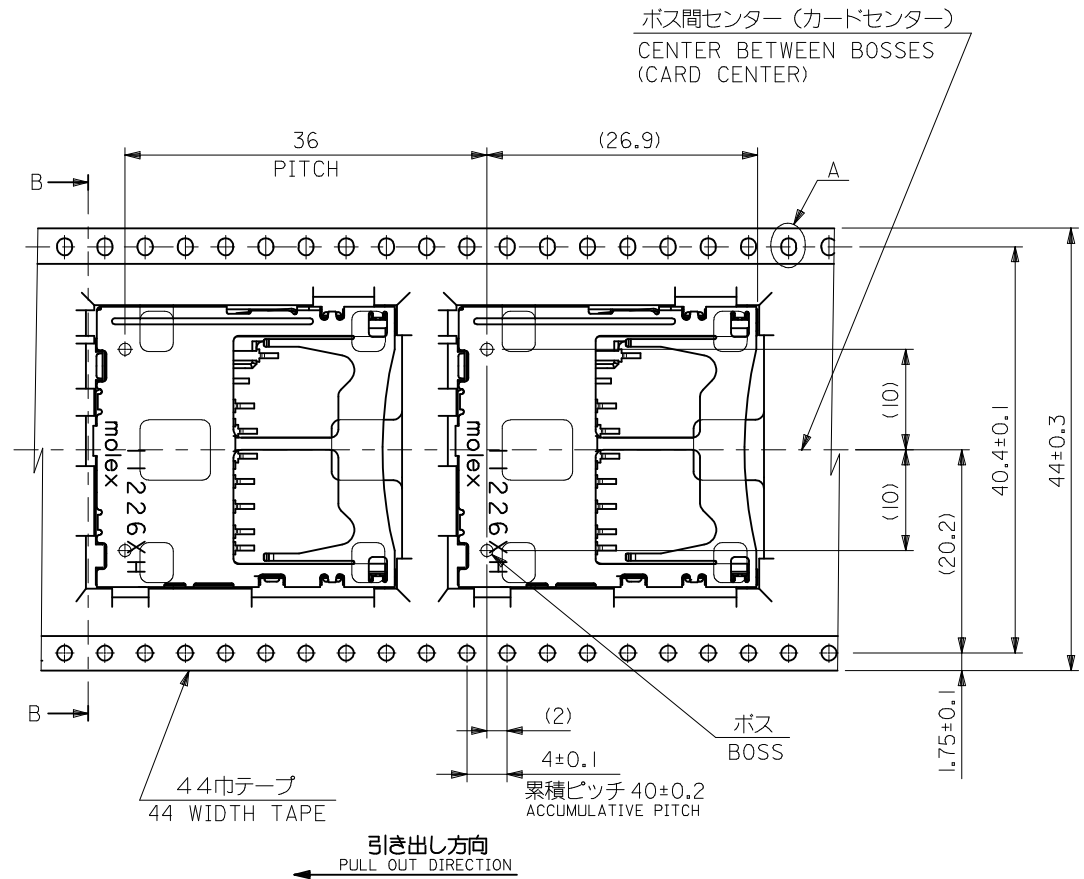
DETAIL A
(5-1)

500999-0909
CONNECTOR



SECTION B-B

トップテープ
TOP TAPE



引き出し方向
PULL OUT DIRECTION

RELEASED EC NO: J2005-1785 DRWN: JSAYORI 2004/12/17 CHKD: NUKITA 2004/12/17 APPR: NUKITA 2004/12/24	GENERAL TOLERANCES (UNLESS SPECIFIED)		DIMENSION STYLE MM ONLY		SCALE ---	DESIGN UNITS METRIC	THIRD ANGLE PROJECTION
	10 UNDER	±0.2	DRAWN BY YSUGIURA	DATE 2004/12/10	TITLE EMBOSS TAPE PACKAGE FOR 50999-0909 - LEAD FREE -		
	10 OVER 30 UNDER	±0.25	CHECKED BY MTANAKA	DATE 2004/12/10			
	30 OVER	±0.3	APPROVED BY NUKITA	DATE 2004/12/10	MOLEX INCORPORATED		
ANGULAR ±3 °		MATERIAL NO.	DOCUMENT NO.	SHEET NO.			
DRAFT WHERE APPLICABLE MUST REMAIN WITHIN DIMENSIONS		SEE SHEET 1 OF 2		SD-500999-004		2 OF 2	
SIZE A3 THIS DRAWING CONTAINS INFORMATION THAT IS PROPRIETARY TO MOLEX INCORPORATED AND SHOULD NOT BE USED WITHOUT WRITTEN PERMISSION							