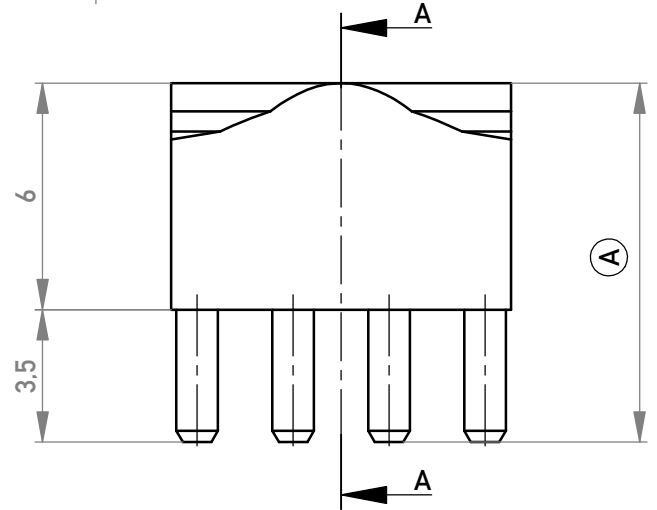
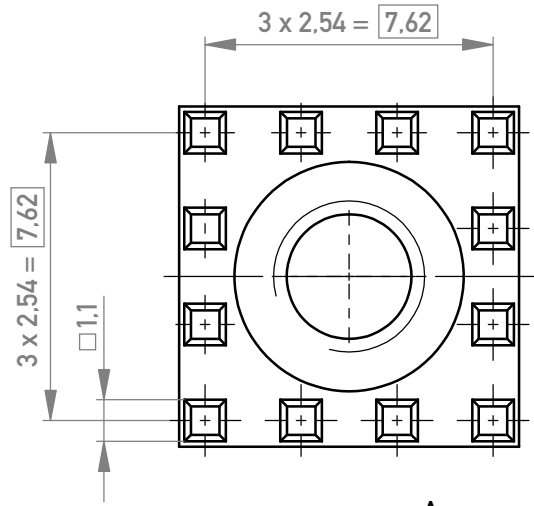
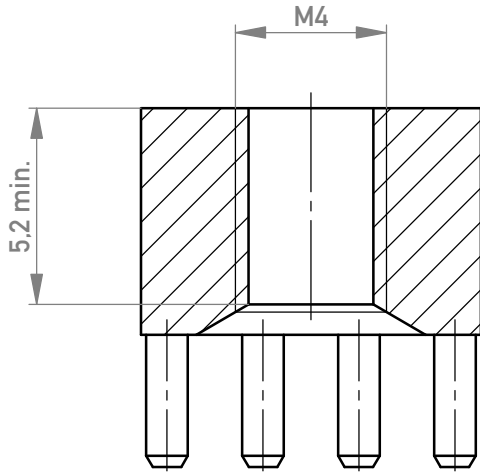
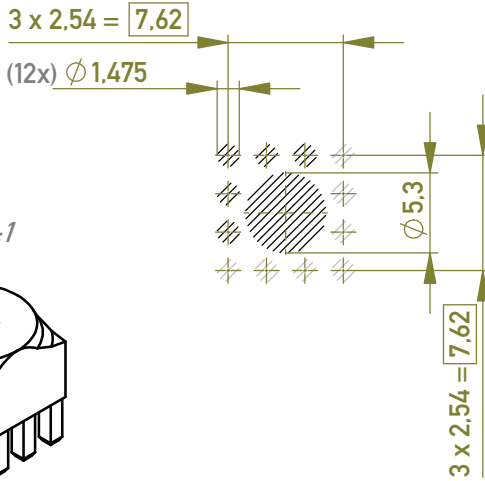


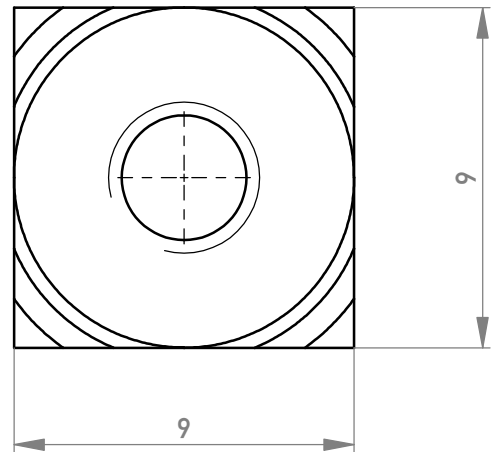
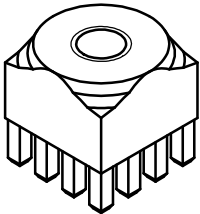
Schnitt A-A  
cross section A-A



Layout - Vorschlag  
PCB - Layout proposal  
M 2:1  
scale 2:1



M 2:1  
scale 2:1



2-6µm Sn matt über 1-3µm Cu  
2-6µm sn matt over 1-3µm cu

Ⓐ Oberfläche / plating

Information:		Tolerances	Scale	5:1	
All rights reserved. Only for Information. To ensure that this is the latest version of this drawing, please contact one of the ERNI companies before using.		 All Dimensions in mm	Material:	CuZn39Pb3	
			Designation	<b>PowerElement female thread</b> <b>circular population M4</b>	
www.ERNI.com		<b>225688</b>		I A4	
b	07.02.2018	Class		POWELM	
Index	Date				