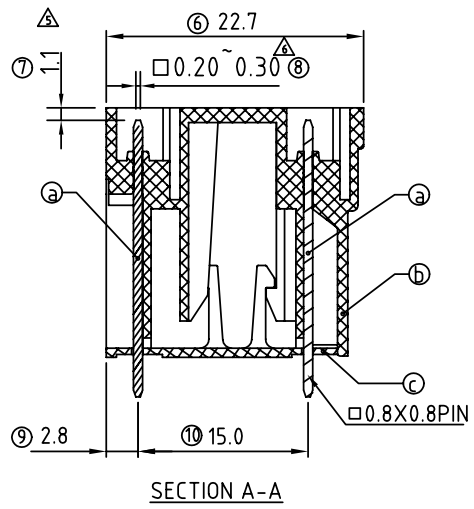
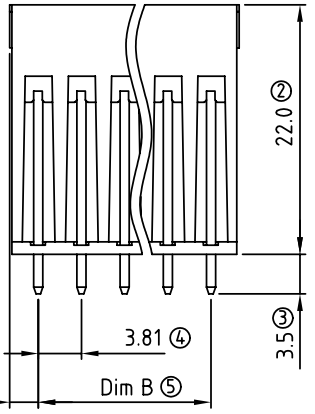


P.C.B. LAYOUT



SECTION A-A

SIGN	DATE	DESCRIPTION	APPROVER
△	3/27'06	Dim changed form 2.6mm to 2.3mm	Marvin
△	3/27'06	Dim changed form (N-1)×3.81+5.0 to (N-1)×3.81+4.6	Marvin
△	1/29'07	Soldering temperature changed from 245° to 250°	Tony
△	2009.06.02	Dim changed form 2.3mm to 2.5mm	Jacke
△	2010.01.22	The demension is changed from 1.60mm to 1.10mm	Jacke
△	2010.01.22	The demension is changed from 0.40mm to 0.20 0.30mm	Jacke
△	2010.03.31	The material is changed from Brass to Copper	Jacke

THIS IS CAD DRAWING, DO NOT REVISE MANUALLY!!!

Material:

- △ ● Item ① Male contact pin: Copper Tin plated
- Item ② Terminal(housing): Thermoplastic (UL94V-0)
- Item ③ Terminal(cover): Thermoplastic (UL94V-0)

Electrical:

- Voltage rating: 300V
- Current rating: 10A
- Withstanding Voltage: 1.6 KV
- Operating temperature: -40°C to +115°C
- △ ● Soldering temperature: 250°C±10°C/5 Sec
- Safety Approval:

VL xx 3 1 x 0 xxxx G

- No. OF POLES ————
 - 04: 2×2 POLES
 - ⋮
 - 48: 2×24 POLES
- COLOR
- 0 Black (RAL9005)
 - 2 Red (RAL3001/D)
 - 3 Orange(RAL2011/P)
 - 4 Yellow(RAL1018/A)
 - 5 Green(RAL6018/T)
 - 6 Blue (RAL5015/A)
 - 8 Grey(RAL7035/D)
- G: Pb<4000ppm
- 0000: "@ " Logo (Standard)
- 000A: "ANYTEK" Mark
- Any special item by customer request. please contact sales department.

Poles	02	03	04	05	06	07	08	09	10	11	12	13	
Dim L	8.81	12.62	16.43	20.24	24.05	27.86	31.67	35.48	39.29	43.10	46.91	50.72	
Dim B	3.81	7.62	11.43	15.24	19.05	22.86	26.67	30.48	34.29	38.10	41.91	45.72	
TOL	±0.15			±0.20				±0.25					
Poles	14	15	16	17	18	19	20	21	22	23	24		
Dim L	54.53	58.34	62.15	65.96	69.77	73.58	77.39	81.20	85.01	88.82	92.63		
Dim B	49.53	53.34	57.15	60.96	64.77	68.58	72.39	76.20	80.01	83.82	87.63		
TOL	±0.30				±0.35								

ANYTEK				CUSTOMER COPY			
ALL RIGHTS RESERVED. REPRODUCTION OR ISSUE TO THIRD PARTIES IN ANY FORM WHATSOEVER IS NOT PERMITTED WITHOUT WRITTEN AUTHORITY FROM THE PROPRIETOR. PROPERTY OF ANYTEK TECHNOLOGY CO., LTD							
TITLE		VL-3.81mm Vertical 180° Series					
PART NO.		VLxx31x0xxxxG		DWG NO.		8VL0101	
APPROVED		CHECKED	DESIGNED	DRAWN	CUST NO.		Tolerance
			Jacke	Jacke			X. ±0.50
			2010.01.22	2010.01.22			X.X ±0.30
						UNIT: mm	X.XX ±0.10
				SHEET: 01/01		SCALE: NONE	X° ±1°
						REV: F	