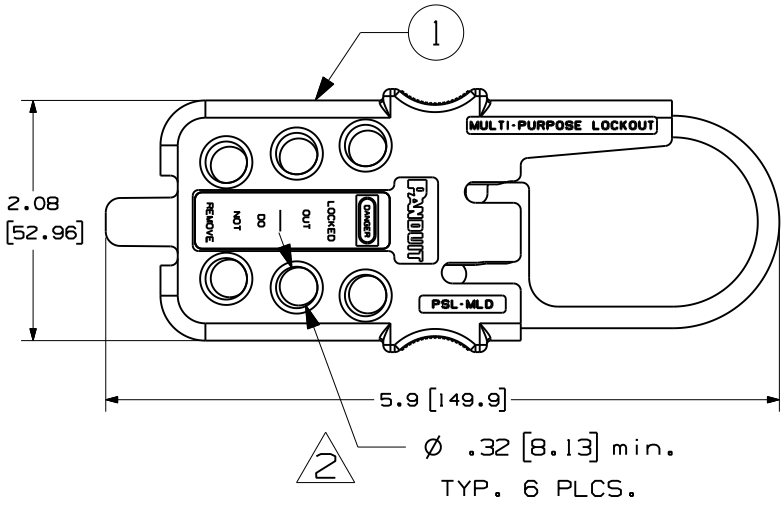
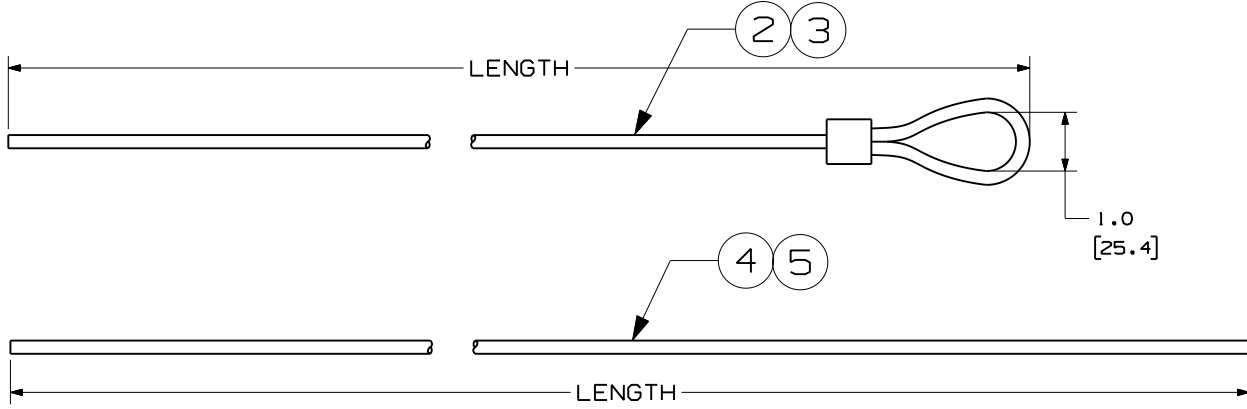


THIS COPY IS PROVIDED ON A RESTRICTED BASIS AND IS NOT TO BE USED IN ANY WAY DETRIMENTAL TO THE INTERESTS OF PANDUIT CORP.



ITEM NO.	PART NUMBER	DESCRIPTION	MATERIAL TEMPERATURE RATING	CABLE LENGTH	UNIT QUANTITY
1	PSL-MLDH-X (ASSY)	MULTIPLE LOCKOUT DEVICE: STAINLESS STEEL WITH PLASTIC PIECE	185°F (85°C)	NA	1
2	PSL-MLDC	VINYL COATED GALVANIZED STEEL CABLE WITH LOOPHOLE	176°F (80°C)	6.0' (1.8M)	1
3	PSL-MLDCT	NYLON COATED GALVANIZED STEEL CABLE WITH LOOPHOLE	230°F (110°C)	6.0' (1.8M)	1
1, 2	PSL-MLD	MULTIPLE LOCKOUT DEVICE; INCLUDES LOCKOUT HASP AND VINYL COATED GALVANIZED STEEL CABLE WITH LOOPHOLE	185°F (85°C) DEVICE, 176°F (80°C) CABLE	6.0' (1.8M)	1 OF EACH
1, 3	PSL-MLDT	MULTIPLE LOCKOUT DEVICE; INCLUDES LOCKOUT HASP AND NYLON COATED GALVANIZED STEEL CABLE WITH LOOPHOLE	185°F (85°C) DEVICE, 230°F (110°C) CABLE	6.0' (1.8M)	1 OF EACH
4	PSL-MLDC200	VINYL COATED GALVANIZED STEEL CABLE WITHOUT LOOPHOLE	176°F (80°C)	200' (61M)	1
5	PSL-MLDC200T	NYLON COATED GALVANIZED STEEL CABLE WITHOUT LOOPHOLE	230°F (110°C)	200' (61M)	1

OPERATING TEMPERATURE AT LOW END IS -23° C.



CAD FILENAME/LAYERS 100619ZY\_DC\_C10391/05D

**PANDUIT** CORP. TINLEY PARK, ILLINOIS

CUSTOMER DRAWING PSL-MLD  
MULTI-PURPOSE LOCKOUT  
HASP AND CABLES

UNLESS OTHERWISE SPECIFIED, DIMENSIONAL TOLERANCES ARE:  
(.X) ± .12 (XXX) ± .020  
(.XX) ± .062 ANGLES ±

UNLESS OTHERWISE SPECIFIED, ALL DIMENSIONS ARE GIVEN IN INCHES, THIRD ANGLE PROJECTION.

DRAWN BY RVU MAT'L; SEE TABLE 1.  
DATE 2/2/06  
CHK'D

SCALE NTS  
DRAWING NO. C10391  
DWG SIZE A

REV	DATE	BY	CHK	DESCRIPTION	ECN	R	CUST	SUP
2	3/12/12	RVU		ADDED THE LOCK HOLE DIAMETER.	6734	R		
1	7/8/09	RVU		COMBINE MULTIPLE PARTS ON ONE DWG. REVISED TABLE 1 & ADD LOW END TEMP. NOTE.	5677	R		
0	2/2/06	RVU		DRAWING RELEASE.	4349	R		