

PART
NAME

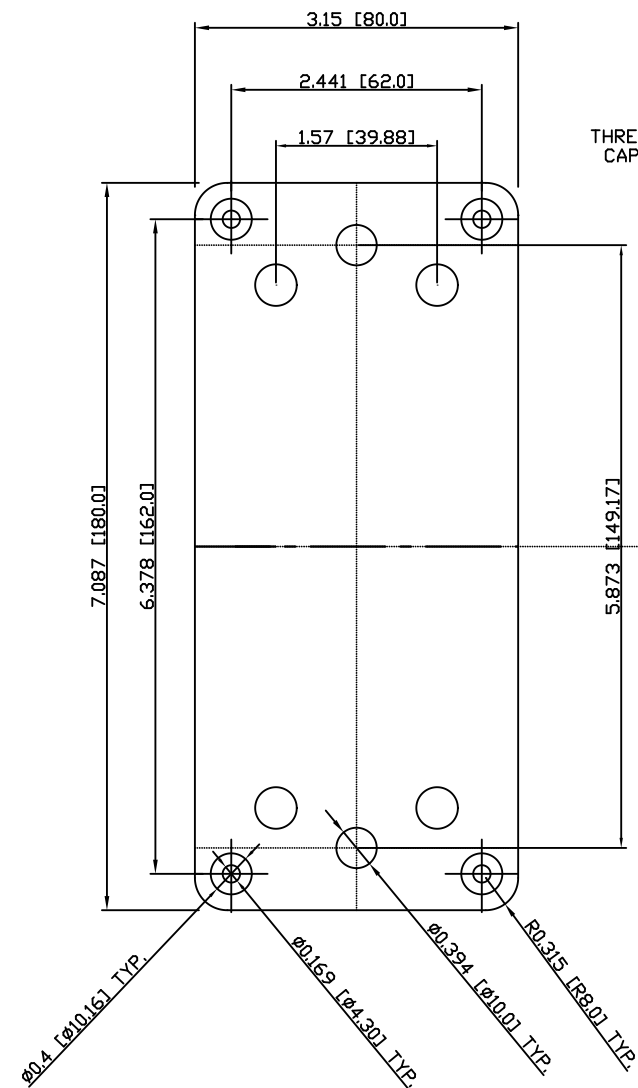
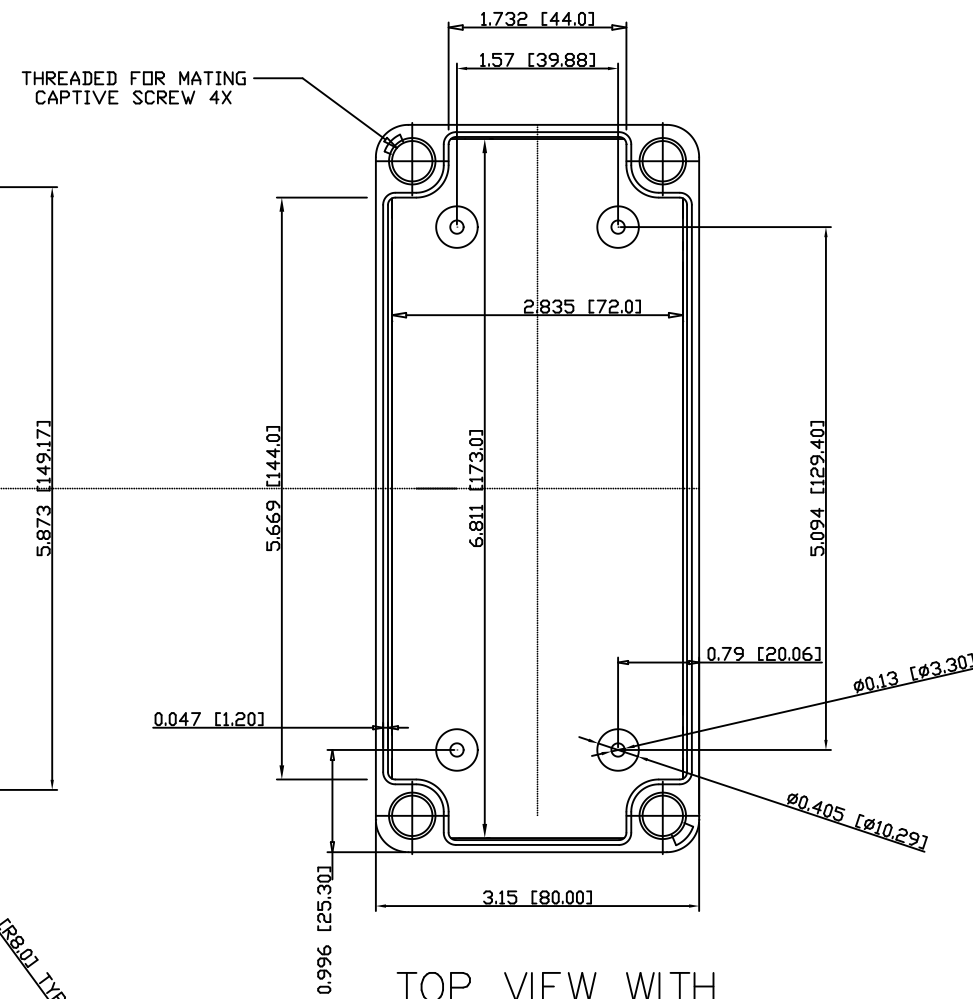
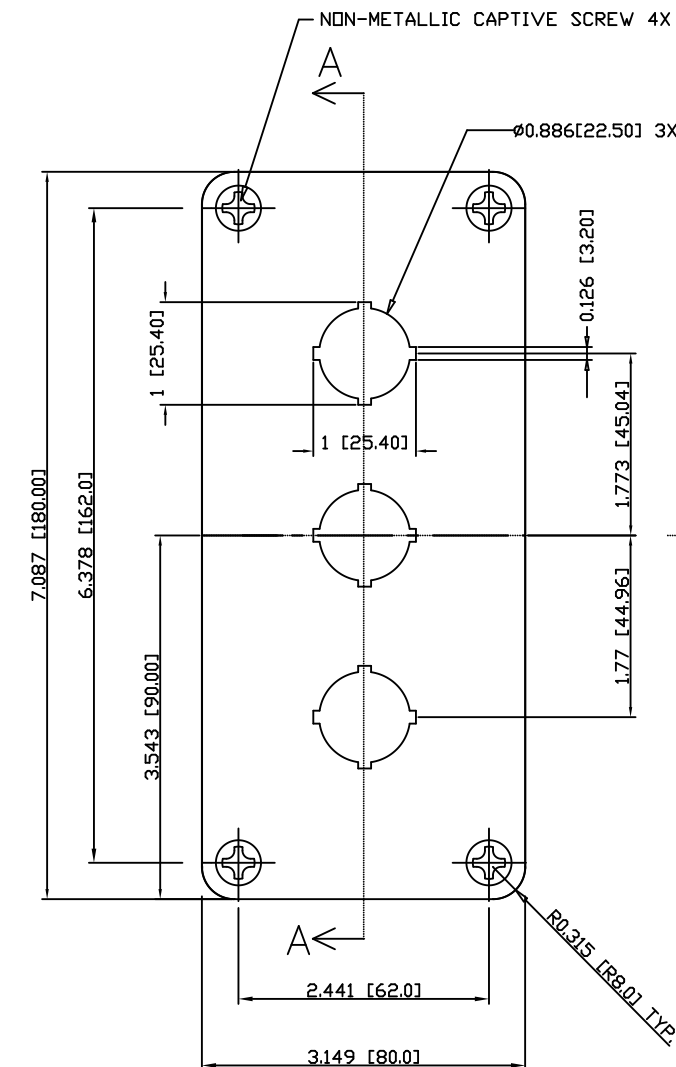
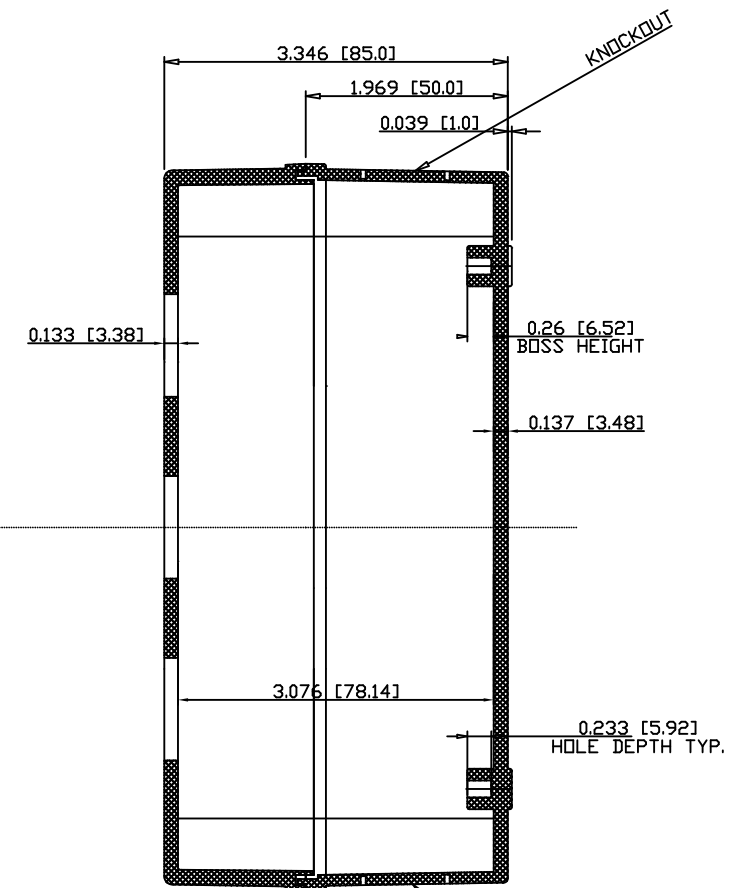
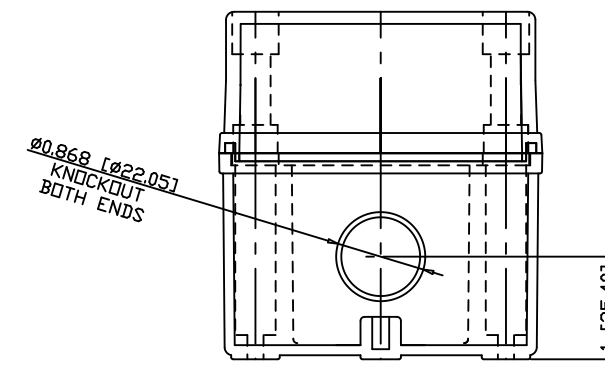
PUSH BUTTON BOX - 3 HOLE (22MM)

PART
No.

PBB-11819-3

REVISION
DATE

12-3-15

BOTTOM
VIEWTOP VIEW WITH
COVER REMOVEDTOP VIEW
WITH COVERSECTION
A-A

FRONT VIEW

NOTES:

1- MATERIAL: BODY- GRAY POLYCARBONATE, 10% GLASS FIBER FILLED
COVER - GRAY POLYCARBONATE

2- IP-67 TUV AND UL-94V0 RATING

3- UL508/NEMA TYPE 4X AND TYPE 6 LISTED #E343339

4- CONTINUOUS GASKET IN COVER

5- FOUR NON-METALLIC CAPTIVE SCREWS PROVIDED

6- ALL HOLE DIAMETERS HAVE +/- .005[0.12] TOLERANCE
ALL DIMENSIONS HAVE +/- .03[.76] TOLERANCE

7- DIMENSIONS ARE INCH[MM]

OPTIONAL ACCESSORIES:

MOUNTING BRACKET KIT (STAINLESS STEEL) - #NBX-10922

MOUNTING BRACKET KIT (PLASTIC) - #PIX-4117