

## RF CHARACTERISTICS

Frequency range : **0 - 18 GHz**  
Impedance : **50 Ohms**

| Frequency (GHz)    | DC - 3         | 3 - 8          | 8 - 12.4       | 12.4 - 18      |
|--------------------|----------------|----------------|----------------|----------------|
| VSWR max           | <b>1.20</b>    | <b>1.30</b>    | <b>1.40</b>    | <b>1.50</b>    |
| Insertion loss max | <b>0.20 dB</b> | <b>0.30 dB</b> | <b>0.40 dB</b> | <b>0.50 dB</b> |
| Isolation min      | <b>80 dB</b>   | <b>70 dB</b>   | <b>60 dB</b>   | <b>60 dB</b>   |
| Average power (*)  | <b>240 W</b>   | <b>150 W</b>   | <b>120 W</b>   | <b>100 W</b>   |

## ELECTRICAL CHARACTERISTICS

Actuator : **LATCHING**  
Nominal current \*\* : **160 mA**  
Actuator voltage (Vcc) : **28V (24 to 30V) / NEGATIVE COMMON**  
Terminals : **solder pins (250°C max. / 30 sec.)**

## MECHANICAL CHARACTERISTICS

Connectors : **SMA female per MIL-C 39012**  
Life : **10 million cycles**  
Switching Time\*\*\* : **< 10 ms**  
Construction : **Splashproof**  
Weight : **< 100 g**

## ENVIRONMENTAL CHARACTERISTICS

Operating temperature range : **-40°C to +85°C**  
Storage temperature range : **-55°C to +85°C**

(\* Average power at 25°C per RF Path)

(\*\* At 25° C ±10%)

(\*\*\* Nominal voltage ; 25° C)



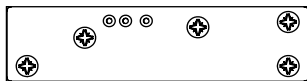
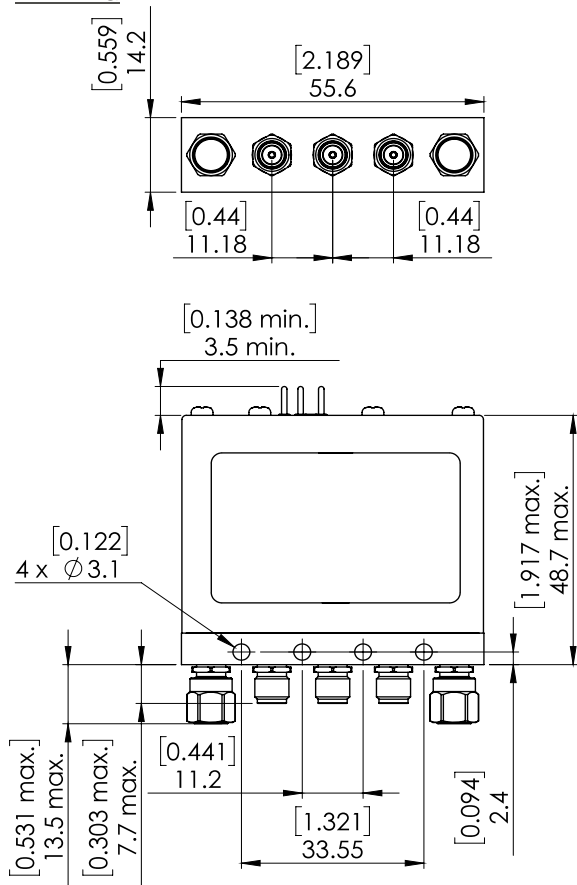
PAGE 2/2

ISSUE 09-03-21

SERIE : SPDT ZC

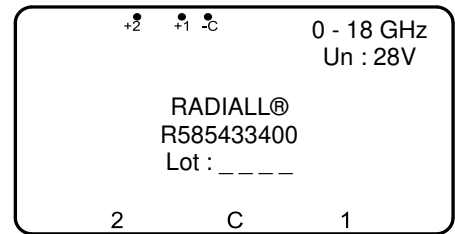
PART NUMBER : R585433400

**DRAWING**



General tolerances :  $\pm 0,5$  mm [0,02 in]

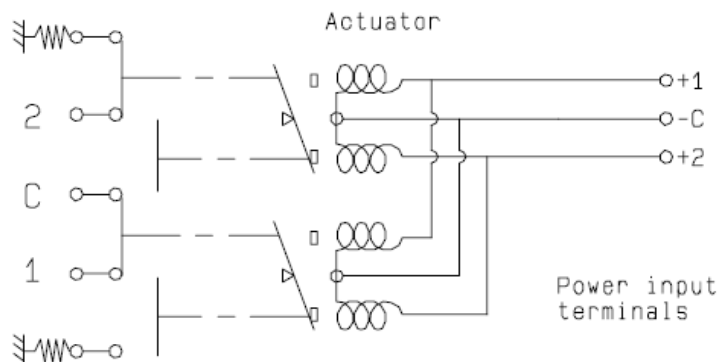
**LABEL**



**SCHEMATIC DIAGRAM**

RF input

50Ω Termination



50Ω Termination

| Voltage | RF Continuity |
|---------|---------------|
| -C +1   | C↔1 / 2↔50Ω   |
| -C +2   | C↔2 / 1↔50Ω   |