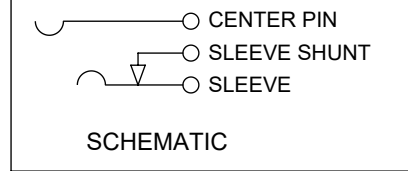
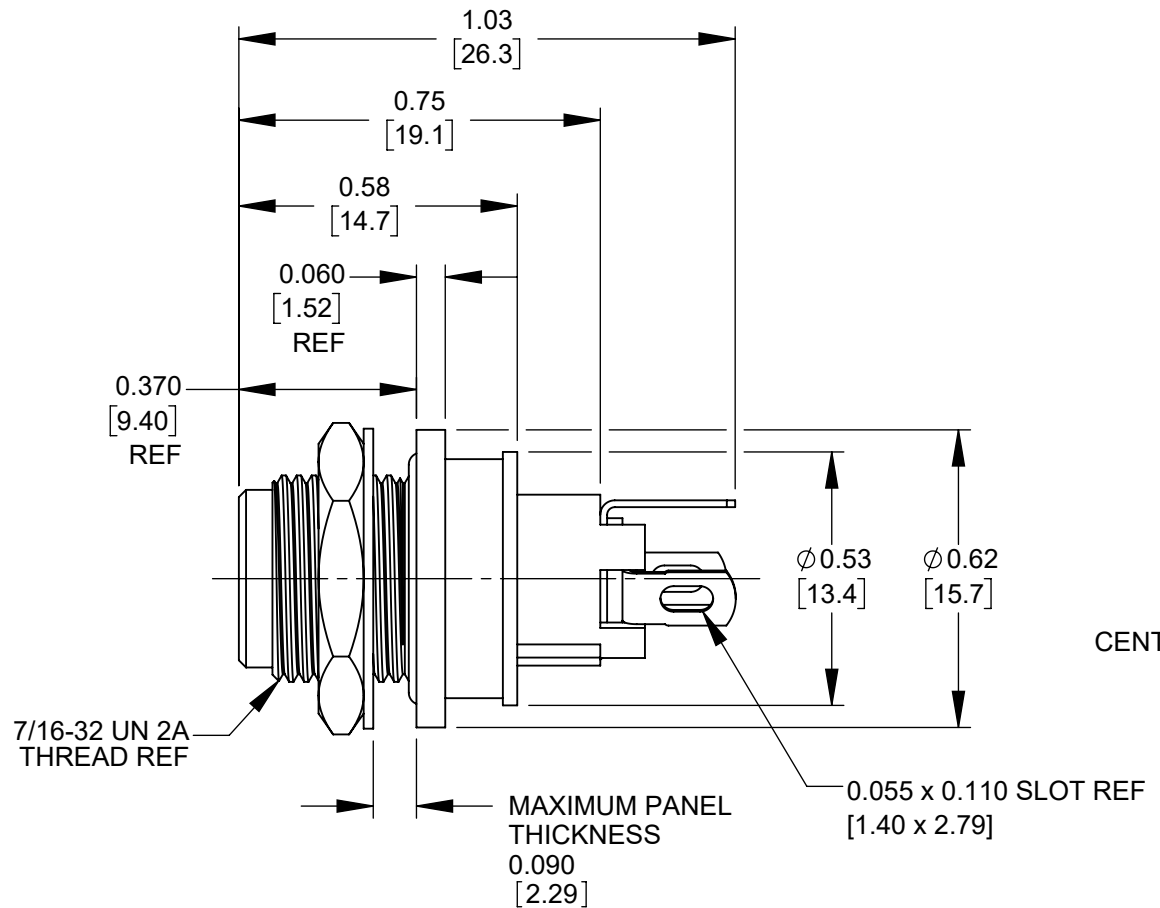
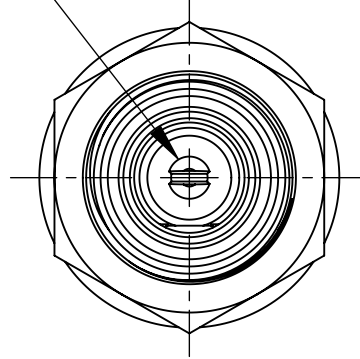


RECOMMENDED PANEL MTG HOLE

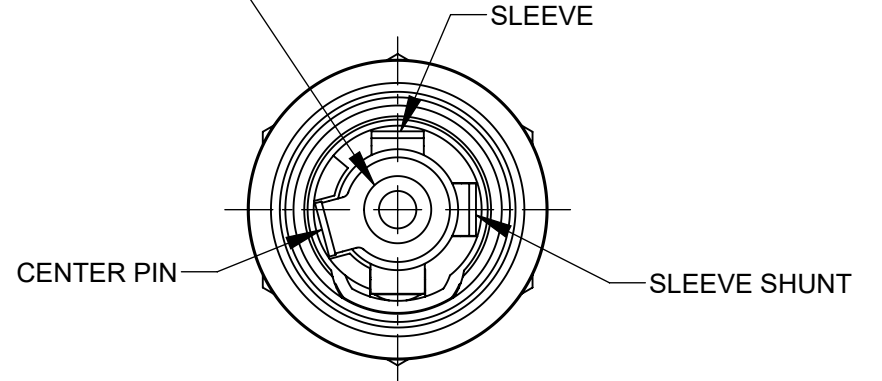
PART NUMBER	CENTER PIN Ø (JACK SIZE)	MATING POWER PLUG
L712ASH	0.10 (2.5 mm)	761KSH12, 761KSH15, 761KSH17
L722ASH	0.080 (2.0 mm)	S761KSH12, S761KSH15, S761KSH17



CENTER PIN/JACK SIZE  
SEE TABLE



Ⓢ CRACKS IN CENTER PIN ROLL OVER  
AREA ARE ACCEPTABLE



NOTES:

- DIMENSIONS SHOWN FOR REFERENCE ONLY.
- HEX NUT, FLAT WASHER, AND PANEL O-RING SUPPLIED UNASSEMBLED
- MATERIAL:  
HOUSINGS, HEX NUT - COPPER ALLOY, NICKEL PLATED  
INSULATOR HOUSING - THERMOPLASTIC, BEIGE  
O-RINGS - THERMOPLASTIC RUBBER, LUBRICATED WITH SYNTHETIC GREASE  
TERMINAL INSULATORS - PHENOLIC  
FLAT WASHER - COPPER ALLOY, NICKEL PLATED  
PIN, SPRING, TERMINALS - COPPER ALLOY, SILVER PLATED
- Ⓢ IT IS RECOMMENDED THAT THE JACK MOUNTING NUT BE TIGHTENED SNUG BY HAND BEFORE APPLYING A FINAL TIGHTENING TORQUE OF 8-10 LB-IN USING HAND TOOLS ONLY. POWER DRIVER OR IMPACT DRIVERS ARE NOT RECOMMENDED.
- THIS PRODUCT IS RoHS COMPLIANT

**CUSTOMER DRAWING**

REV	ECO NUMBER	DATE	BY	APVD
C	28397	06/11/21	PC	TJK
B	28350	12/22/20	PC	TJK
A	27941	09/06/17	PC	TJK
REVISIONS				

UNLESS OTHERWISE SPECIFIED  
1. ALL DIMENSIONS IN INCHES [mm]  
- TWO PLACE DECIMALS ±0.02 [0.5]  
- THREE PLACE DECIMALS ±0.005 [0.13]

DO NOT SCALE DRAWING

THIS DRAWING DESCRIBES A DESIGN CONSIDERED PROPRIETARY IN NATURE, DEVELOPED AND MANUFACTURED BY SWITCHCRAFT INC. AND IS RELEASED ON A CONFIDENTIAL BASIS FOR IDENTIFICATION PURPOSES ONLY.									
SIZE	WIDTH	MULT	LBS/M	TEMPER					
FINISH					MATERIAL				
SPEC No.					SPEC No.				
FIRST USED ON					SCALE 2.5:1				
DATE DRAWN	BY	CHKD	APVD						
6/27/16	PNK	PNK	SRC						
			6/27/16			6/27/16			
NAME					PART No.				
SEALED HT POWER JACKS					L712ASH, L722ASH				
SOLDER LUG, RoHS					REV C				

**Switchcraft®**

SHEET 1 OF 1