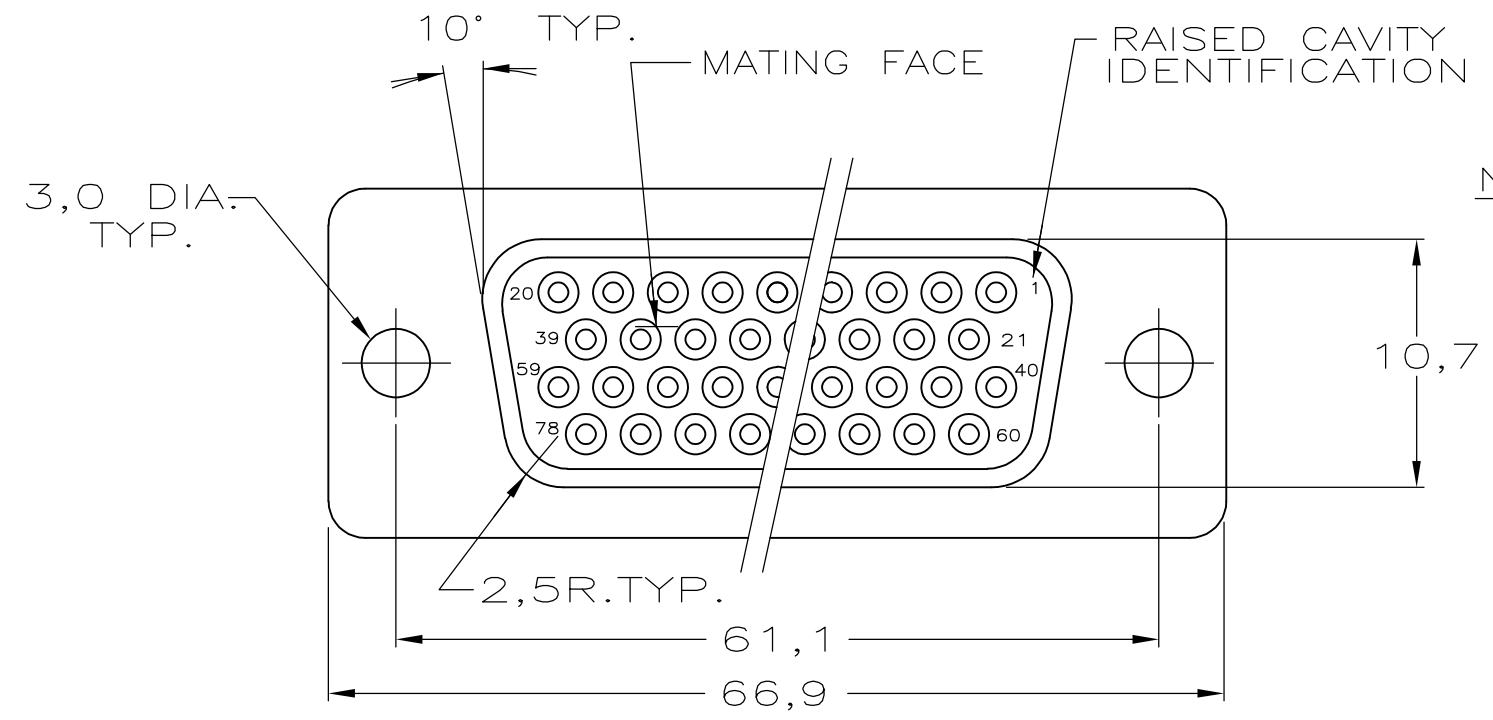
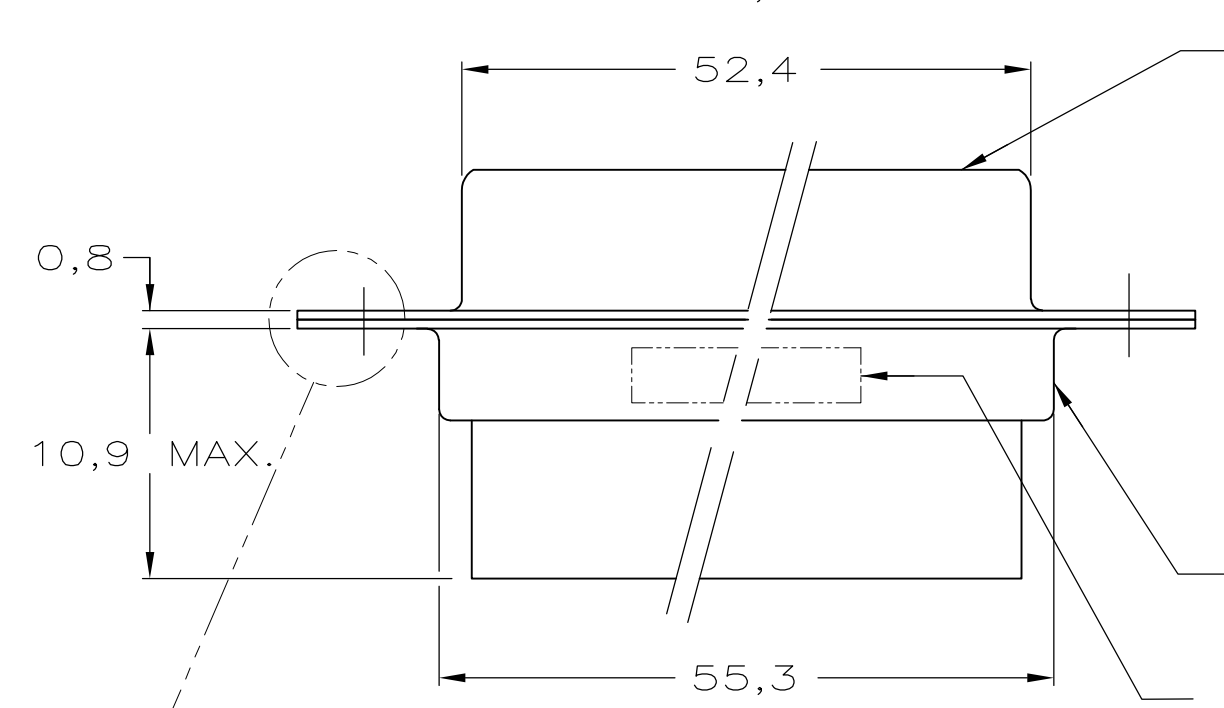


THIS DRAWING IS UNPUBLISHED. RELEASED FOR PUBLICATION
 © COPYRIGHT - By - ALL RIGHTS RESERVED.

| LOC | | DIST | | REVISIONS | | | |
|-----|-----|---------------------------|--|-----------|-----|------|--|
| P | LTR | DESCRIPTION | | DATE | DWN | APVD | |
| | A | REVISED PER ECO-13-020294 | | 13MAR2014 | AP | DG | |



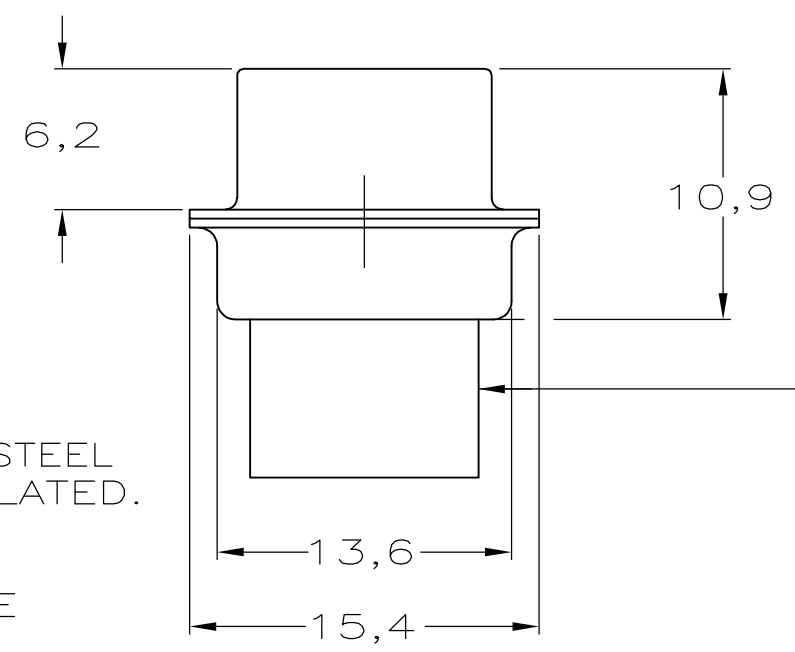
NOTES: 1 THIS RECEPTACLE ACCEPTS SIZE 22 REC. CONTACTS.
 2 RETENTION TINES ARE AN INTEGRAL PART OF INSERT.
 3 CONTACT INSERTION/REMOVAL TOOL TE P.N. 91285-1 IS RECOMMENDED FOR USE WITH THESE CONNECTORS:



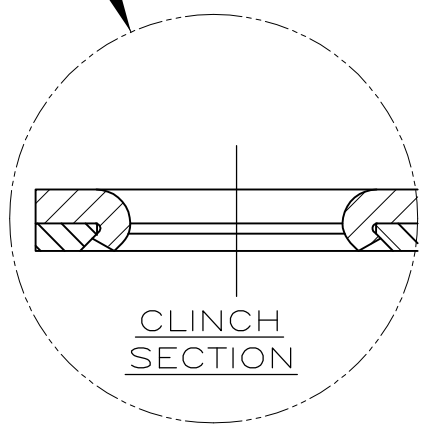
FRONT SHELL
STEEL, BRIGHT TIN PLATED.

REAR SHELL, STEEL
BRIGHT TIN PLATED.

AMP DATE CODE
AMP PARTNO.
INK STAMPED



INSERTS: NYLON
GLASS-FILLED
SELF-EXTINGUISHING
COLOR: BLACK



| | | |
|-------------|-------------|-------------|
| SEE DRAWING | SEE DRAWING | 216168-1 |
| FINISH | MATERIAL | PART NUMBER |

| | | | | | | | |
|--|--|--|-----------|---|----------------------------|------------|---------------|
| THIS DRAWING IS A CONTROLLED DOCUMENT. | | DWN | 07DEC1988 | | STE TE Connectivity | | |
| | | CHK | - | | | | |
| | | APVD | - | | | | |
| | | PRODUCT SPEC | - | | | | |
| DIMENSIONS: mm | | TOLERANCES UNLESS OTHERWISE SPECIFIED: | | NAME | | | |
| | | 0 PLC | ± - | HDP-22 REC. CONNECTOR, SIZE 5, (78 POSITION) | | | |
| | | 1 PLC | ± - | | | | |
| | | 2 PLC | ± - | | | | |
| | | 3 PLC | ± - | | | | |
| | | 4 PLC | ± - | | | | |
| | | ANGLES | ± - | SIZE | CAGE CODE | DRAWING NO | RESTRICTED TO |
| MATERIAL | | FINISH | | A300779 | | C-216168 | - |
| CUSTOMER DRAWING | | | | SCALE | SHEET | REV | |
| | | | | - | 1 OF 1 | A | |