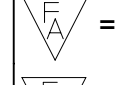

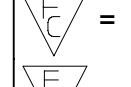
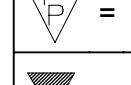

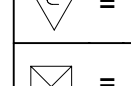
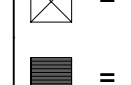
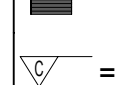
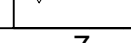
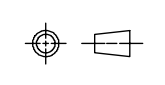


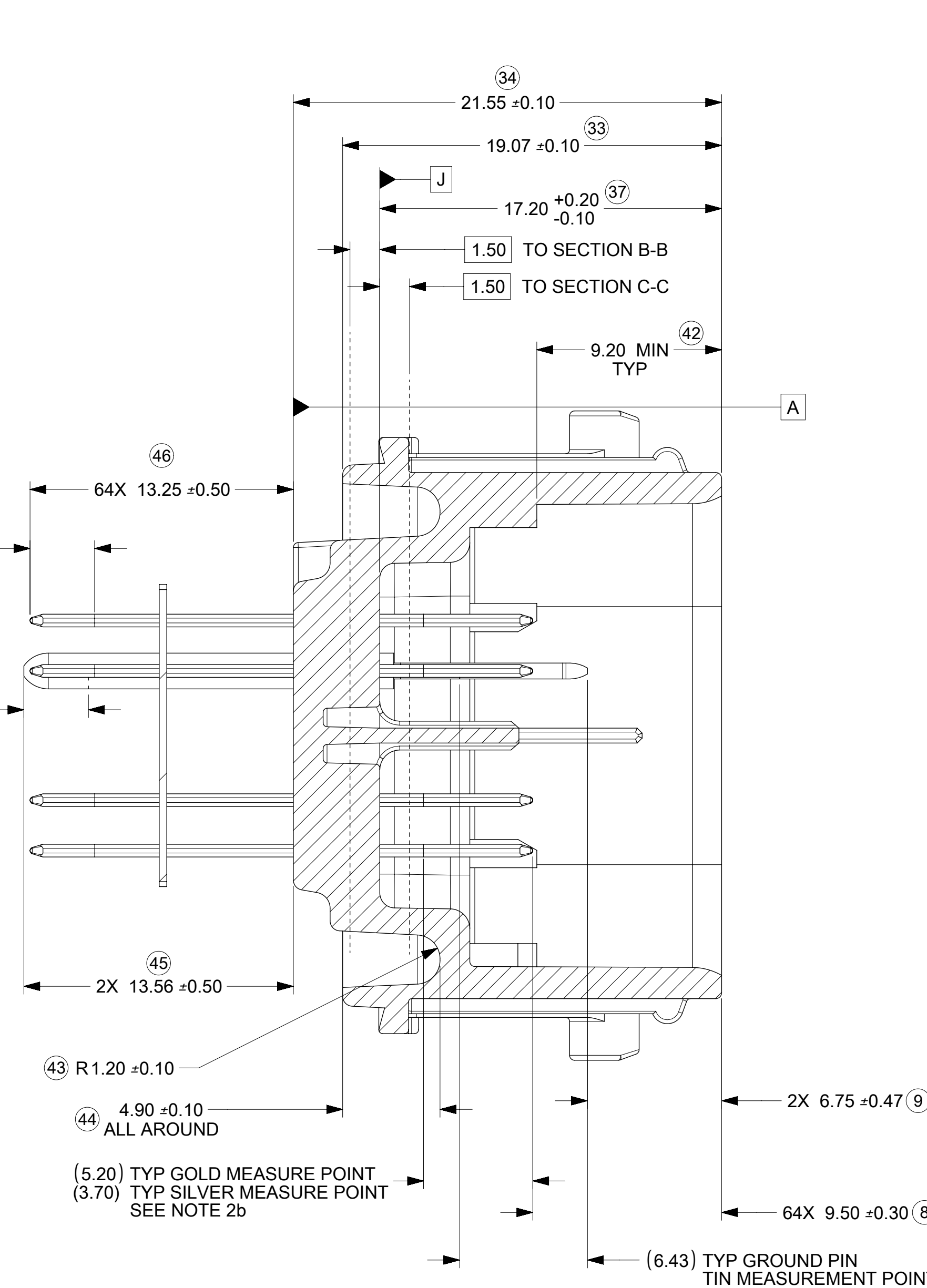
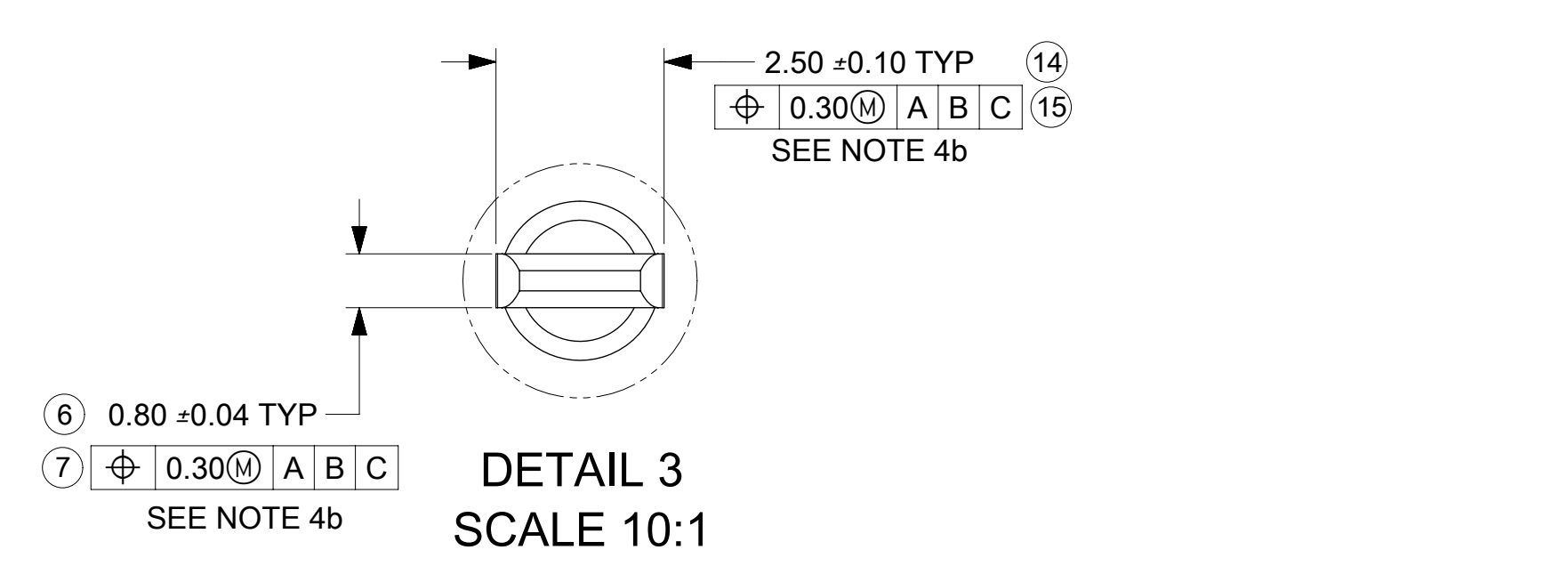
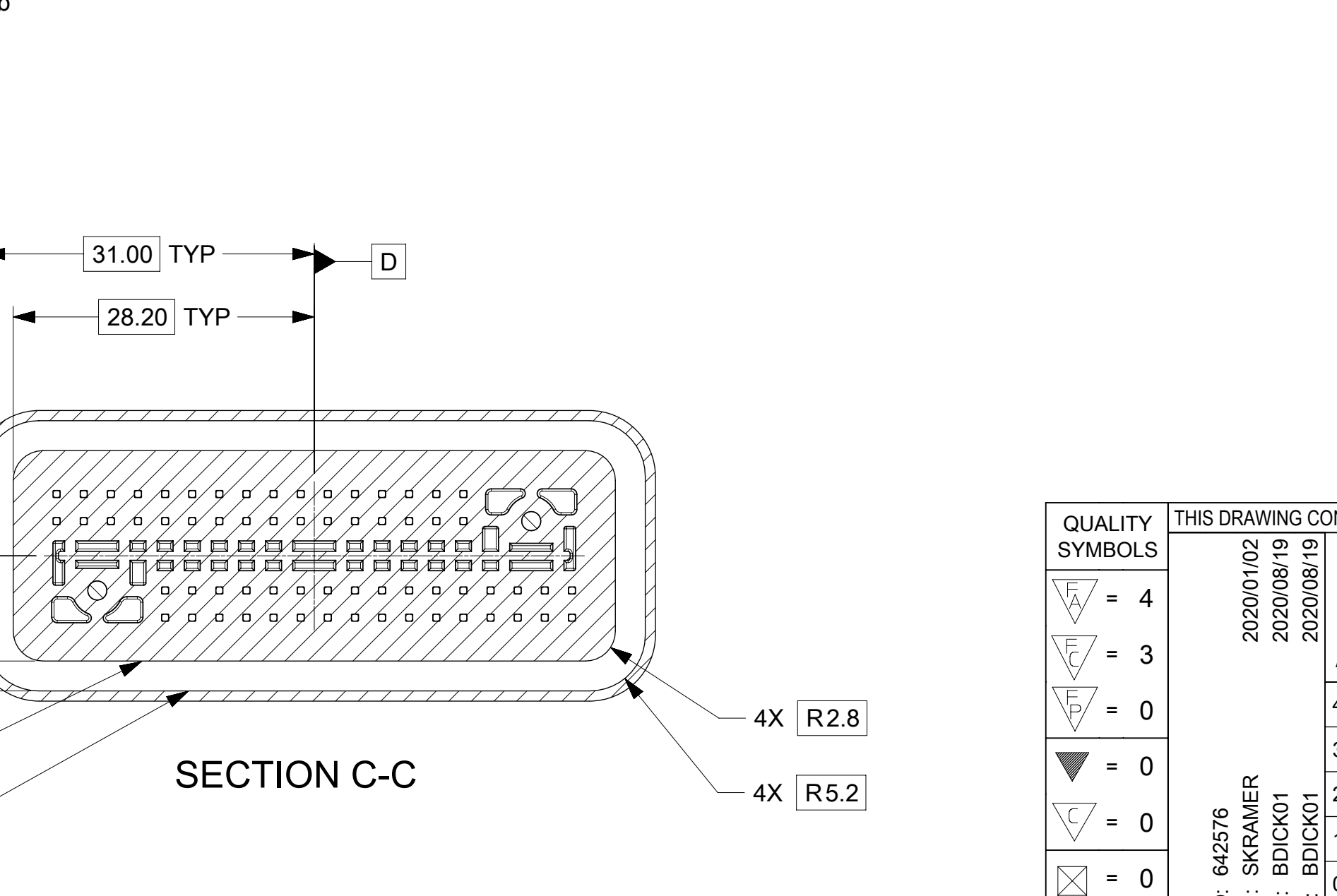
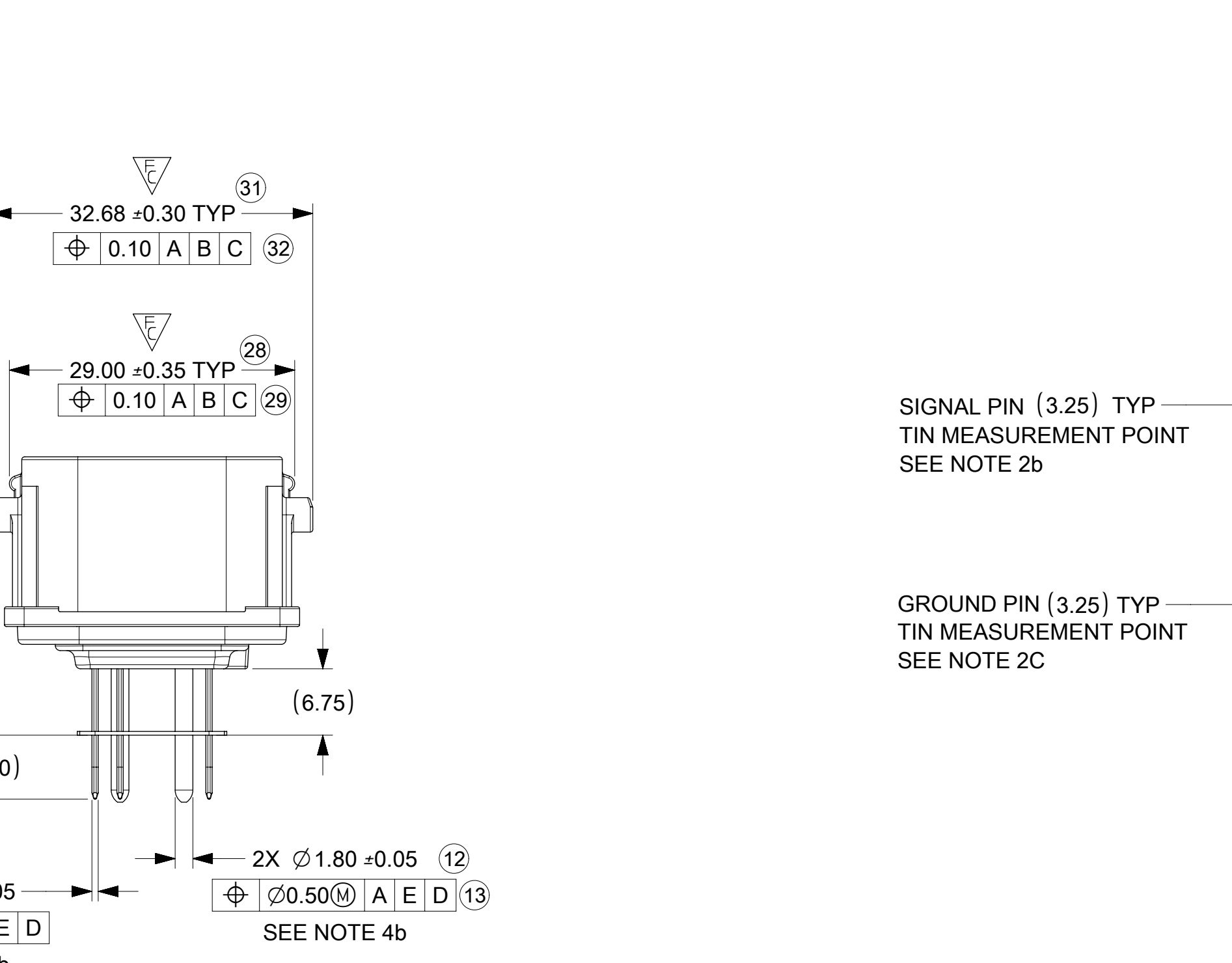
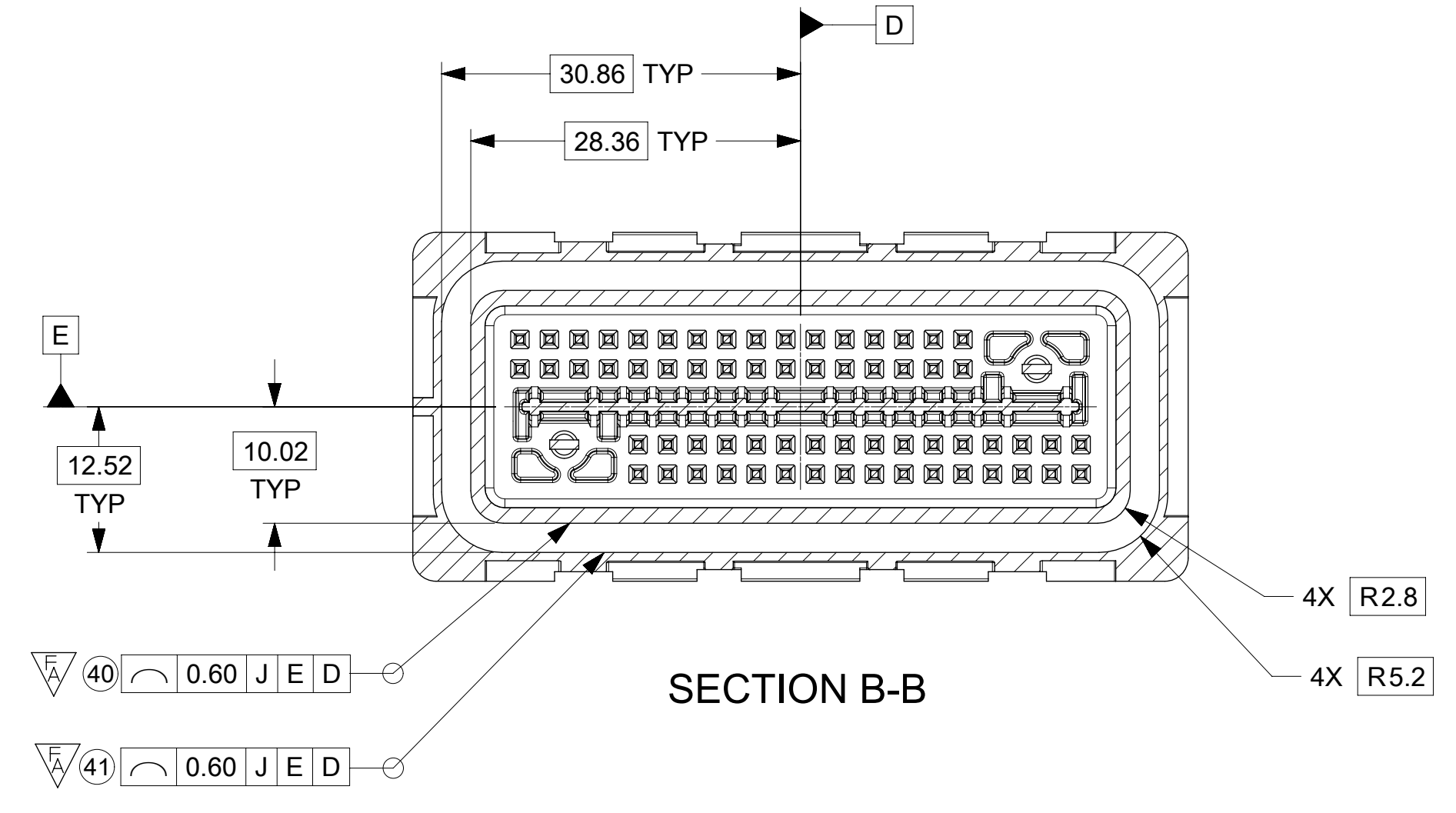
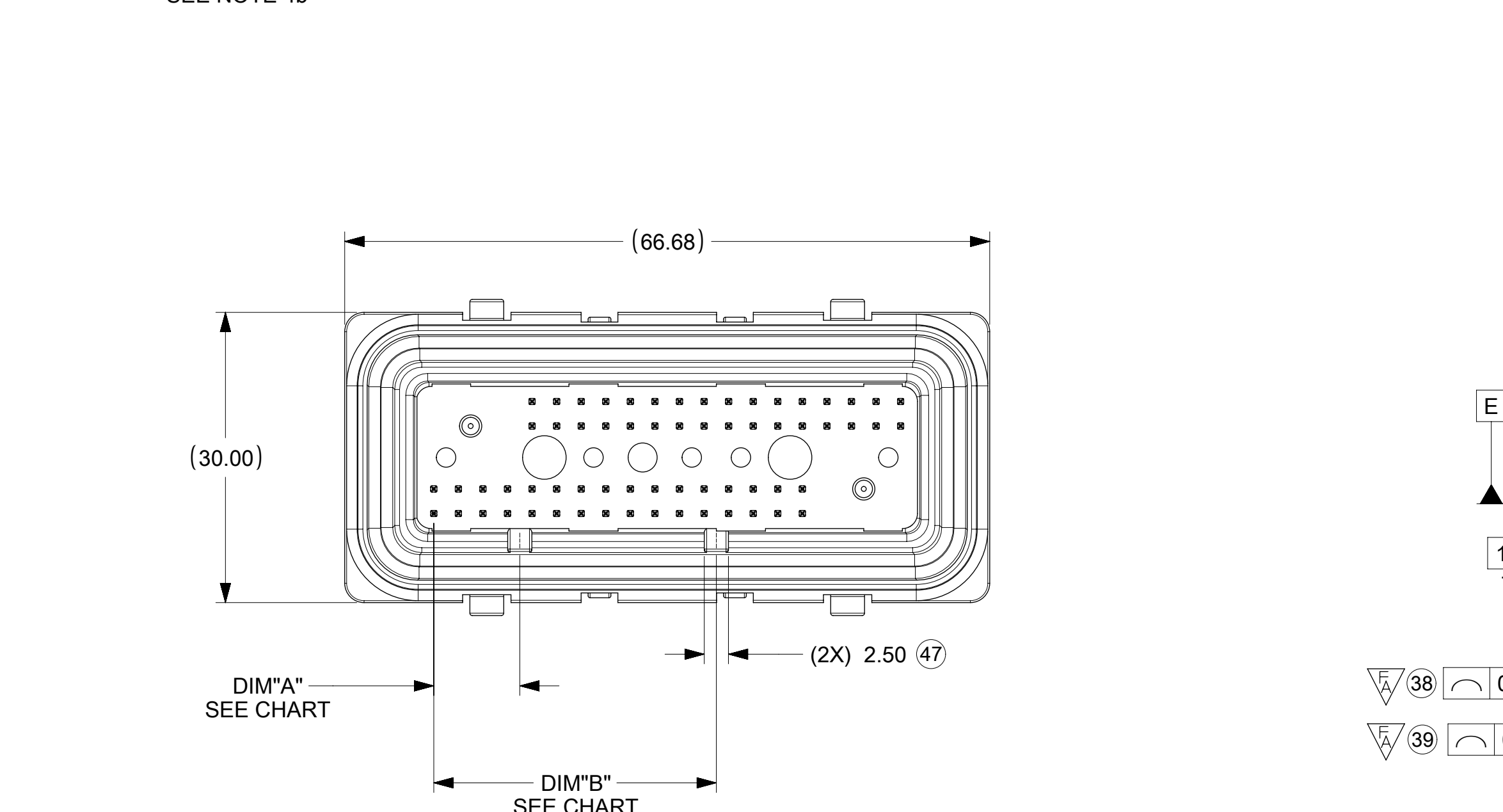
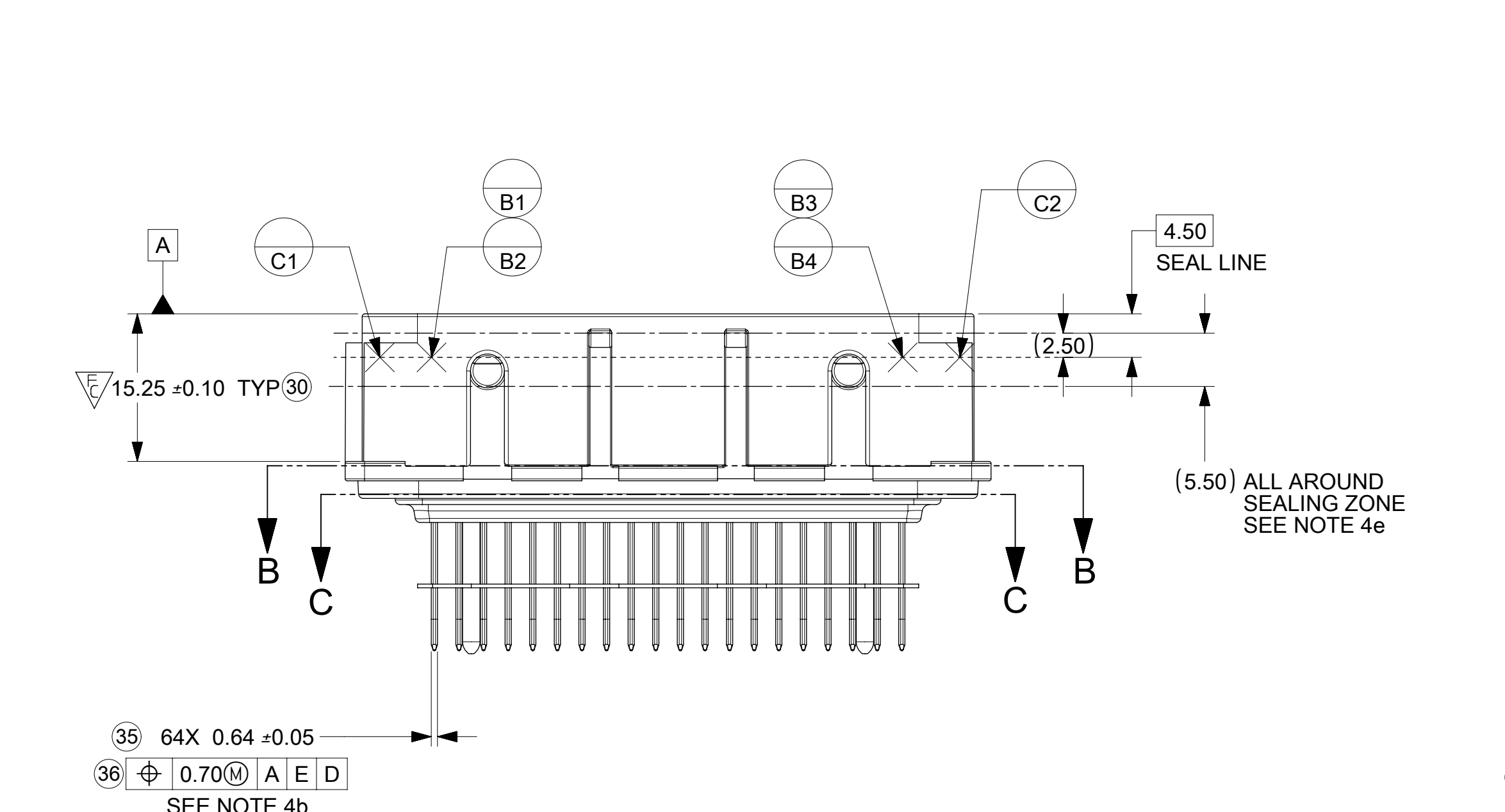
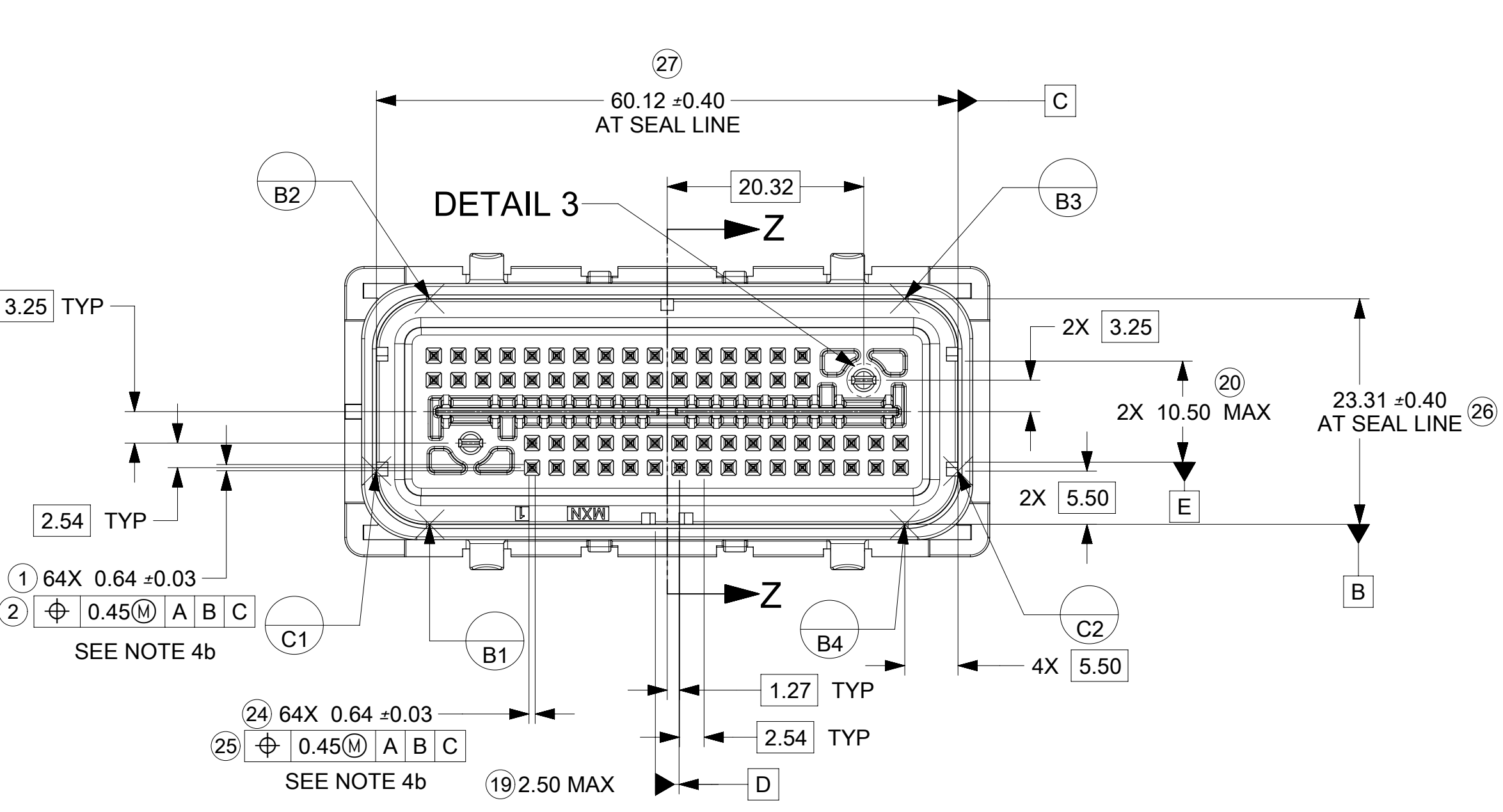
NOTES: VALID UNLESS OTHERWISE SPECIFIED

1. GENERAL:
 - a. APPLICATION SPECIFICATION: AS-31386-200
 - b. PRODUCT SPECIFICATION: PS-31387-200
 - c. PACKAGING SPECIFICATION: PK-31301-916
 - d. PARTS MUST BE IN COMPLIANCE TO MOLEX CHEMICAL SUBSTANCES FOR PRODUCTS AND PACKAGING SPECIFICATION: ES-40000-5016
 - e. DATA MUST BE SUBMITTED UNDER THE MOLEX PART NUMBER TO IMDS (COMPANY ID#13255)
 - f. DIMENSIONS AND TOLERANCES ARE VALID FOR AS SHIPPED SHROUD ASSEMBLY
 - g. REFERENCE GM INTERFACE CONTROL DRAWINGS (ICD)
 1. 12582682 (Au)
 2. 12642695 (Ag)
2. DESIGN - MATERIALS
 - a. PLASTIC: PBT 30% GF - SEE CHART FOR COLOR
 - b. SIGNAL PIN PLATING:
 - UNDERPLATE: NICKEL 1.27-2.54 μ m
 - SELECT GOLD OPTION: 0.76 μ m MIN.
 - SELECT SILVER OPTION: 1.90-3.30 μ m MIN
 - SOLDER TAIL SELECT TIN: 5.08-10.16 μ m BRIGHT FINISH
 - c. GROUND PIN PLATING:
 - UNDERPLATE: NICKEL 1.27-2.54 μ m
 - OVERPLATE: SELECT TIN 2.54-4.06 μ m, MATTE FINISH
3. DESIGN - GEOMETRY:
 - a. THIS IS A 100% CAD GENERATED PART. THE CAD MATHEMATICAL DATA IS THE MASTER FOR ALL NON-DIMENSIONAL FEATURES. DRAWING DIMENSIONS SHALL BE MET WHEN DIFFERENCES EXIST BETWEEN THE DRAWING AND THE CAD MODEL. UNDERLINED DIMENSIONS OR DIMENSIONS INDICATED AS "EDITED" MAY BE DIFFERENT FROM THE 3D MODEL GEOMETRY. FOR DIMENSIONAL OR ANY INFORMATION NOT SHOWN ON THIS DRAWING, ANALYZE THE CAD MODEL.
 - b. PRODUCT DESIGN MODEL NUMBER(S): SEE BOM TABLE
 - c. GEOMETRIC DIMENSIONS AND TOLERANCES PER ASME Y14.5M-1994
 - d. GENERAL TOLERANCES - SEE TABLE
4. DESIGN - MANUFACTURING:
 - a. HUMAN READABLE LASER MARKING
 1. INFORMATION TO BE PRINTED:
 - DDDY - 4 DIGIT JULIAN DATE CODE
 - S_HH - STITHCER NUMBER_HOUR NUMBER (24 HOUR CLOCK)
 - MMMM - LAST FOUR DIGITS OF MOLEX MATERIAL NUMBER
 2. SIZE: HUMAN LEGIBLE
 - b. PIN MATE SIDE AND PCB SIDE TRUE POSITION TO BE VERIFIED ONLINE WITH A GO/NO-GO FUNCTIONAL GAGE.
 - c. ANTI-TARNISH FOR Ag PLATING ONLY: SYTHETIC HYDROCARBON CONTACT SURFACE FINISH OR EQUIVALENT APPLIED WITHOUT VOID TO CONTACT AREA (MIN. 3.7mm FROM PIN TIP).
 - d. VISUAL DEFECTS SHALL MEET COSMETIC STANDARD PS-45499-002 (CLASS B).
 - e. THERE SHALL BE NO PERMISSIBLE DEFECTS THAT COULD POTENTIALLY PROHIBIT THE FUNCTIONALITY WITHIN THE SEALING SURFACE/ZONE SUCH AS PARTING LINES, MISMATCHES, SINK, TEXTURE VARIATIONS, SCRATCHES/GOUGES, SHORT FILL, PROTRUSIONS, PITS, DENTS/NICKS, BLISTERS OR EJECTOR MARKS.

A11	CORRECTED DIMENSION 37 EC# 642576
A10	UPDATED PCN 505530 FOR MINOR DRAFT AND RADII
A9	NX REMASTERING
A8	UPDATE STATUS TO SALEABLE
A7	UPDATED NOTE 1c SAP# 10595870
A6	ADDED NOTE 4d, e & SEALING ZONE ON PG 2 SAP# 10586362
A5	MODIFIED HIGH RETENTION CAVITY FOR 2.8 GROUND PIN SAP# 10584227
A4	ADDED BALLOONS 1,2,6-15,19,20,24-47 REMOVED BALLOONS 3-5,17,18,21-23 EDITED ALL NOTES, STATUS & MATING HARNESS PART NUMBER SAP# 10580347
REV	DESCRIPTION

INSPECTION BALLOON NUMBER LOG	
PER DRAWING REVISION: A6	
LAST BALLOON NUMBER: 47	
ADDED BALLOON NUMBER: 1 2 6 7 8 9 10 11 12 13 14 15 19 20 24 25 26 27 28 29 30	
31 32 33 34 35 36 37 38 39 40 41 42 43 44 45 46 47	
DELETED INSPECTION BALLOON NUMBER: 3 4 5 16 17 18 21 22 23	

QUALITY SYMBOLS	THIS DRAWING CONTAINS INFORMATION THAT IS PROPRIETARY TO MOLEX ELECTRONIC TECHNOLOGIES, LLC AND SHOULD NOT BE USED WITHOUT WRITTEN PERMISSION									
 = 0	EC NO: 642576 DRWN: SKRAMER CHKD: BDICK01 REV APPR: BDICK01	GENERAL TOLERANCES (UNLESS SPECIFIED)	DIMENSION UNITS	SCALE						
 = 0		ANGULAR TOL \pm 3.0 °	MM	2:1						
 = 0		4 PLACES \pm	DRWN BY	DATE	66 CKT SHROUD ASSY GENERAL MAKRET					
 = 0		3 PLACES \pm	HKASSAB	2011/02/09						
 = 0		2 PLACES \pm 0.13	CHKD BY	DATE	PRODUCT CUSTOMER DRAWING					
 = 0		1 PLACE \pm 0.25	APPR BY	DATE						
 = 0	0 PLACES \pm	RBAUMAN	2011/02/16	SERIES	MATERIAL NUMBER	CUSTOMER				
 = 0	DRAFT WHERE APPLICABLE MUST REMAIN WITHIN DIMENSIONS	DRAWING SIZE	THIRD ANGLE PROJECTION	31387	SEE CHART	GENERAL MARKET				
RELEASE STATUS	RELEASE DATE	A11	D		DOCUMENT NUMBER	DOC TYPE	DOC PART	SHEET NUMBER		
					SD-31387-066	PSD	000	1 OF 3		



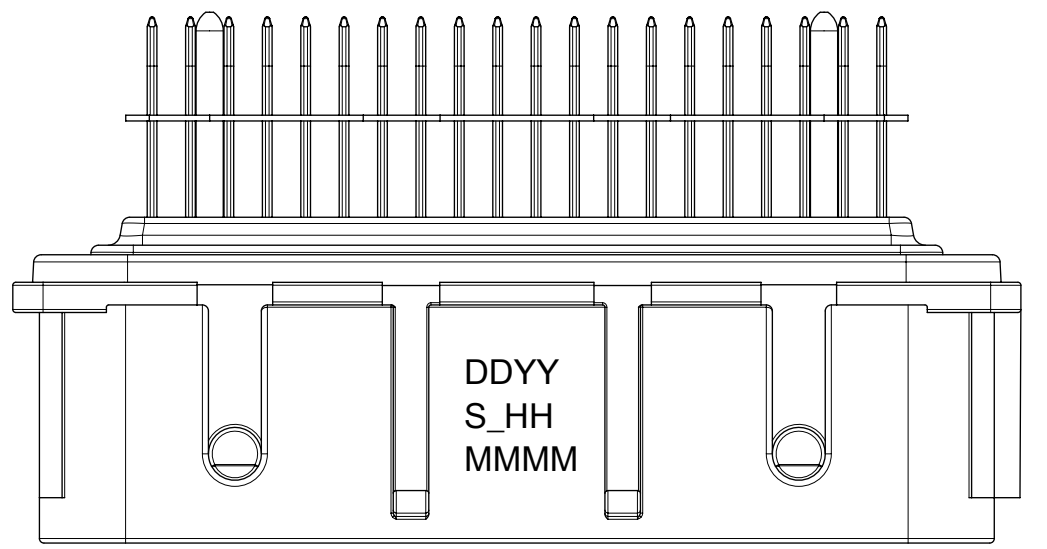
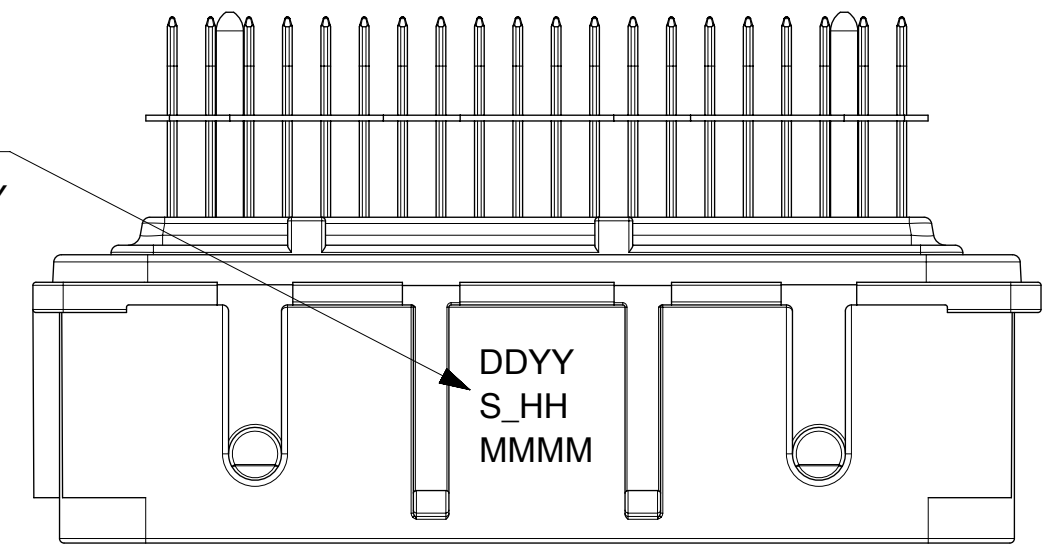
SIGNAL PIN (3.25) TYP
TIN MEASUREMENT POINT
SEE NOTE 2b

GROUND PIN (3.25) TYP
TIN MEASUREMENT POINT
SEE NOTE 2c

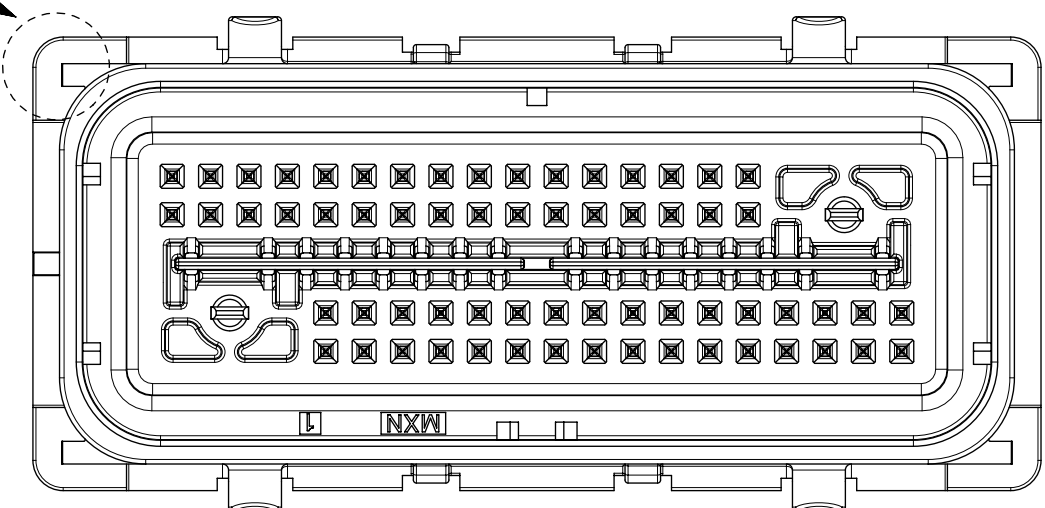
THIS DRAWING CONTAINS INFORMATION THAT IS PROPRIETARY TO MOLEX ELECTRONIC TECHNOLOGIES, LLC AND SHOULD NOT BE USED WITHOUT WRITTEN PERMISSION									
QUALITY SYMBOLS	GENERAL TOLERANCES (UNLESS SPECIFIED)			DIMENSION UNITS	SCALE				
▽ = 4 ▽ = 3 ▽ = 0 ▽ = 0 ▽ = 0 ▽ = 0 ▽ = 0	ANGULAR TOL ± 3.0 ° 4 PLACES ± 3 PLACES ± 2 PLACES ± 0.13 1 PLACE ± 0.25 0 PLACES ±			MM	2:1				
EC NO: 642576 DRWN: SKRAMER CHKD: BDICK01 REV APPR: BDICK01	2020/01/02 2020/08/19 2020/08/19	HKASSAB 2011/02/09			PRODUCT CUSTOMER DRAWING				
A11		RBAUMAN 2011/02/16			31387 SEE CHART		GENERAL MARKET		
RELEASE STATUS		RELEASE DATE		DOCUMENT NUMBER SD-31387-066		DOC TYPE PSD		SHEET NUMBER 2 OF 3	

SHROUD ASSEMBLY NUMBER	MATE SIDE PIN FINISH	COLOR	HARNESS SIDE KEY CODE	PCB SIDE KEY LOCATION		MATING HARNESS PART NUMBER (OPT 0, OPT 9)	STATUS
				DIM. "A" ±0.30	DIM. "B" ±0.30		
31387-8001	GOLD	BLACK	A	8.89	29.21	348220013 348220023	SALEABLE
31387-8003	GOLD	BLUE	C	8.89	34.29	348220033 348220043	SALEABLE
31387-8004	SILVER	BLACK	A	8.89	29.21	348220013 348220023	SALEABLE
31387-8006	SILVER	BLUE	C	8.89	34.29	348220033 348220043	SALEABLE

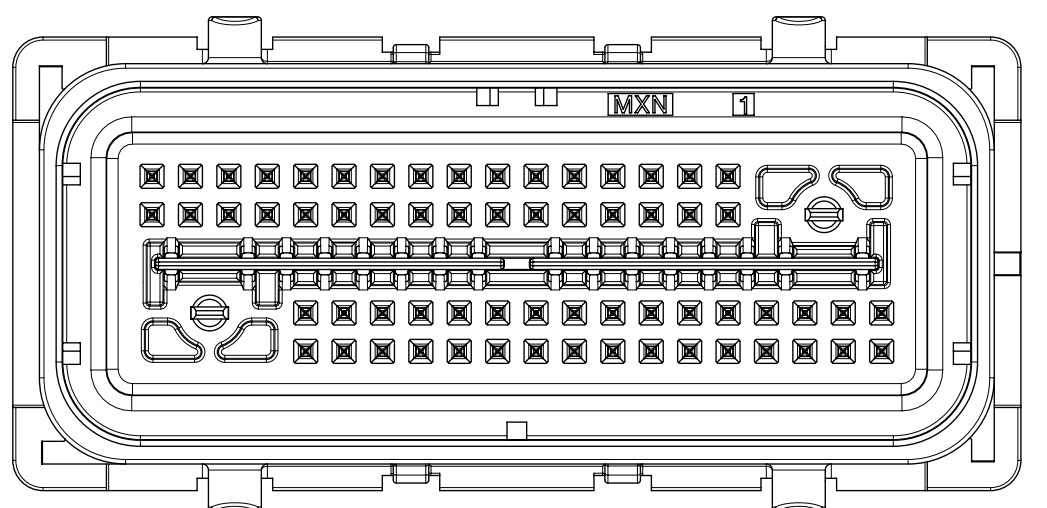
SHROUD ASSEMBLY TRACEABILITY INFORMATION FOR MOLEX INTERNAL USE ONLY (SEE NOTE 4a)



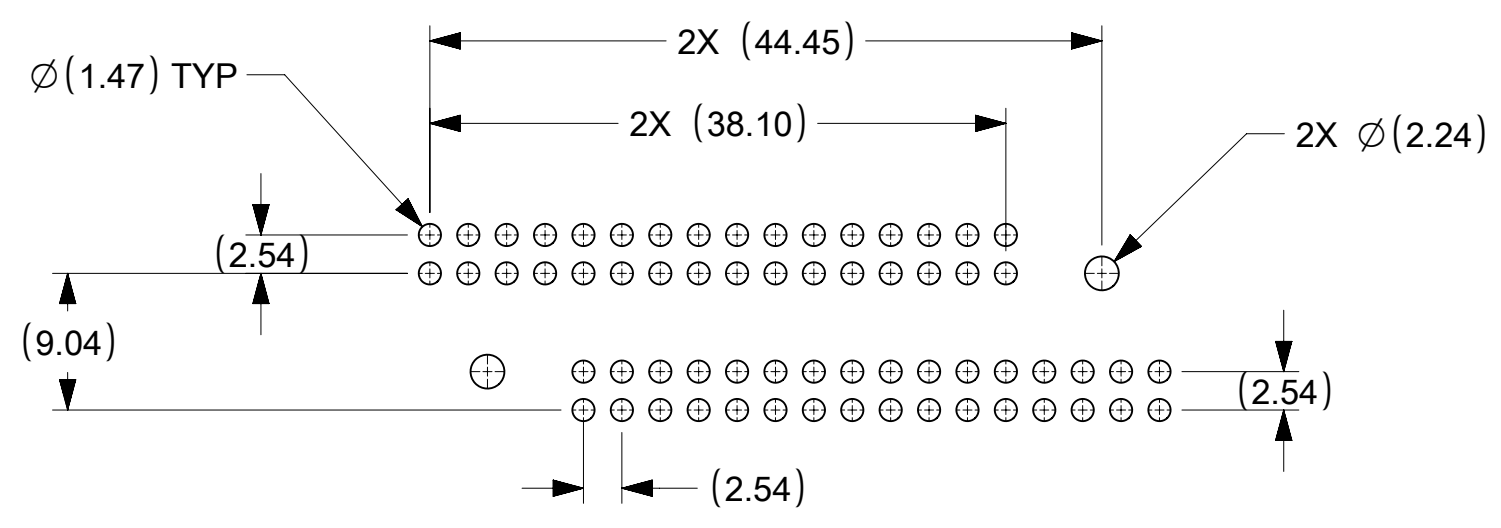
MATE SIDE POLARIZATION KEY AT CORNERS



KEY OPTION "A"



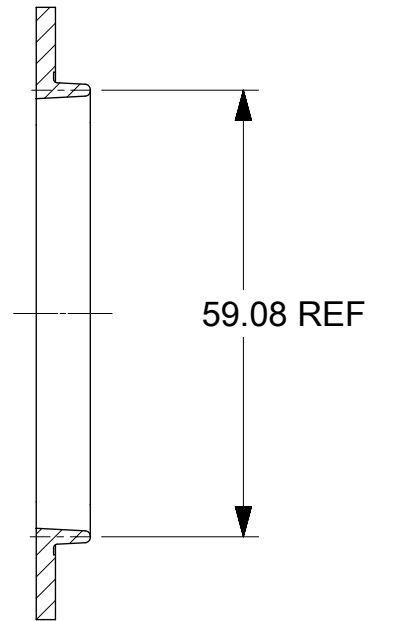
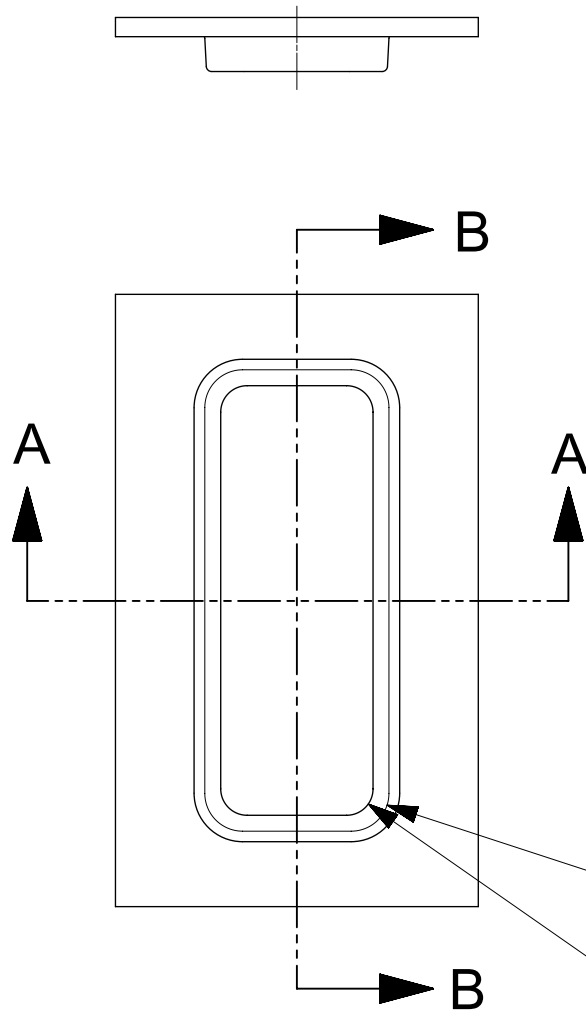
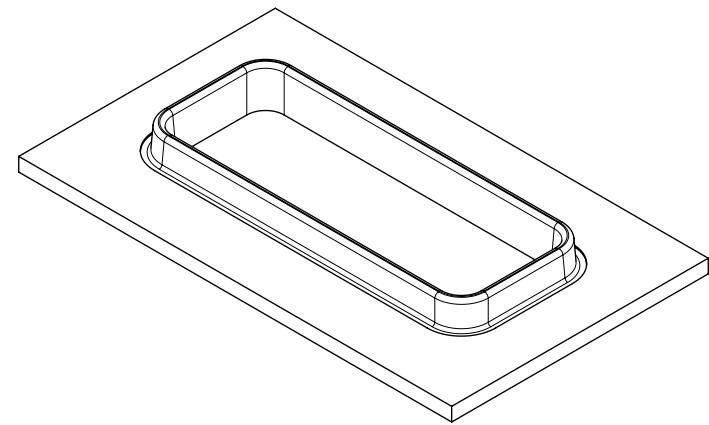
KEY OPTION "C"



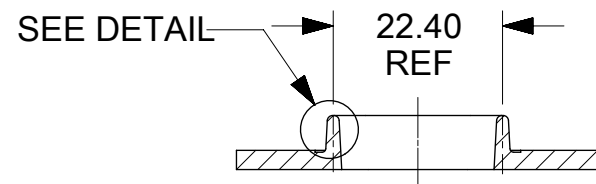
PCB LAYOUT FOR REFERENCE ONLY

QUALITY SYMBOLS 	THIS DRAWING CONTAINS INFORMATION THAT IS PROPRIETARY TO MOLEX ELECTRONIC TECHNOLOGIES, LLC AND SHOULD NOT BE USED WITHOUT WRITTEN PERMISSION										
	2020/01/02	GENERAL TOLERANCES (UNLESS SPECIFIED)			DIMENSION UNITS	SCALE					
	2020/08/19	ANGULAR TOL ± 3.0 °			MM	2:1					
	2020/08/19	4 PLACES ±			DRWN BY	DATE	66 CKT SHROUD ASSY GENERAL MAKRET				
		3 PLACES ±			HKASSAB	2011/02/09					
		2 PLACES ± 0.13			CHKD BY	DATE	PRODUCT CUSTOMER DRAWING				
		1 PLACE ± 0.25			RBAUMAN	2011/02/16					
		0 PLACES ±			APPR BY	DATE	SERIES	MATERIAL NUMBER	CUSTOMER		
		DRAFT WHERE APPLICABLE MUST REMAIN WITHIN DIMENSIONS			DRAWING SIZE	THIRD ANGLE PROJECTION	31387	SEE CHART	GENERAL MARKET		
		A11				D	DOCUMENT NUMBER			DOC TYPE	DOC PART
						SD-31387-066			PSD	000	3 OF 3

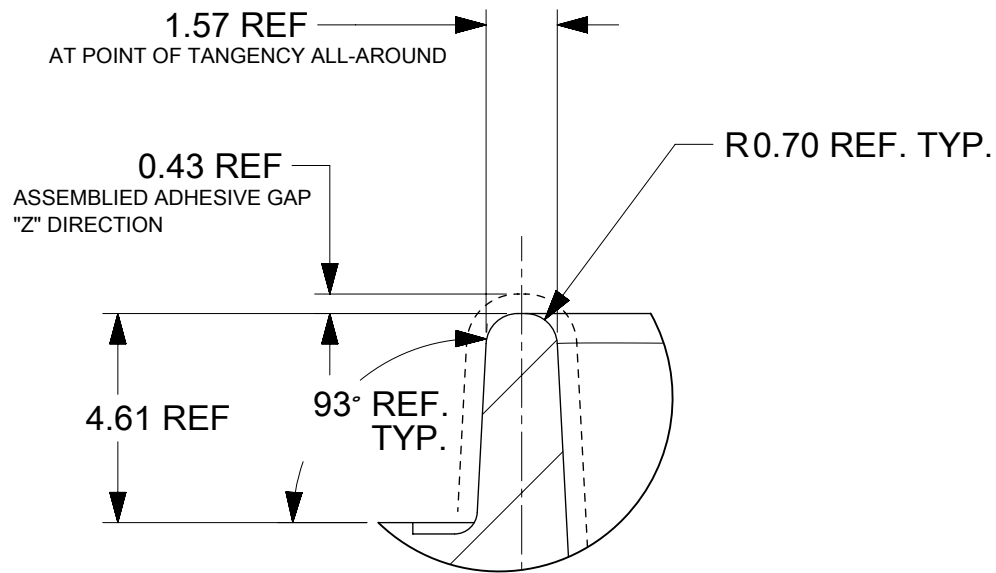
RELEASE STATUS	RELEASE DATE



SECTION B-B



SECTION A-A



SCALE 6:1

THIS DRAWING CONTAINS INFORMATION THAT IS PROPRIETARY TO MOLEX ELECTRONIC TECHNOLOGIES, LLC AND SHOULD NOT BE USED WITHOUT WRITTEN PERMISSION											
QUALITY SYMBOLS ▽ = 0 ▽ = 0 ▽ = 0 ▼ = 0 ▽ = 0 ⊠ = 0 ■ = 0 ▽ = 0	EC NO: 121890 DRWN: BSKANTHARAJU CHKD: APPR: DKRAWCZYK	2017/03/28 2017/10/12	GENERAL TOLERANCES (UNLESS SPECIFIED)		DIMENSION UNITS	SCALE					
			ANGULAR TOL ± °		MM	1:1					
			4 PLACES ±	DRWN BY	DATE						
			3 PLACES ±	3 PLACES ±	FJAKLIC	11/21/2008	LARGE FOOTPRINT ADHESIVE TONGUE GEOMETRY				
			2 PLACES ±	2 PLACES ±	CHK'D BY	DATE					
			1 PLACE ±	1 PLACE ±	GPRATT	11/21/2008					
0 PLACES ±	0 PLACES ±	APPR BY	DATE	PRODUCT CUSTOMER DRAWING							
DRAFT WHERE APPLICABLE MUST REMAIN WITHIN DIMENSIONS		DKRAWCZYK	2013/02/19								
DRAFT WHERE APPLICABLE MUST REMAIN WITHIN DIMENSIONS		DRAWING SIZE	THIRD ANGLE PROJECTION								
B		B		31387		GENERAL MARKET		SERIES: 31387 MATERIAL NUMBER: CUSTOMER:			
B1		REV		DOCUMENT NUMBER: SD-31387-173		DOC TYPE: PSD		DOC PART: 000		SHEET NUMBER: 1 OF 1	

RELEASE STATUS	RELEASE DATE
----------------	--------------