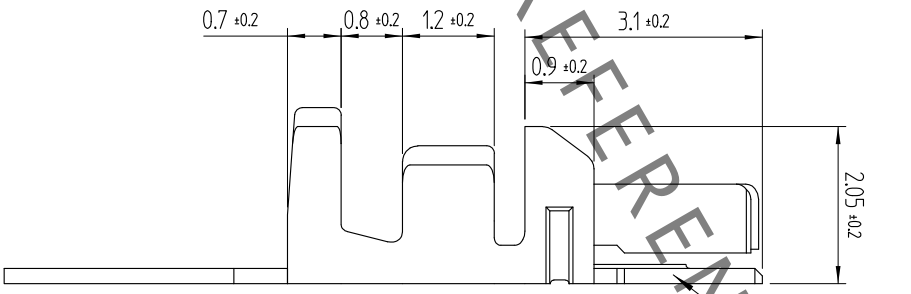
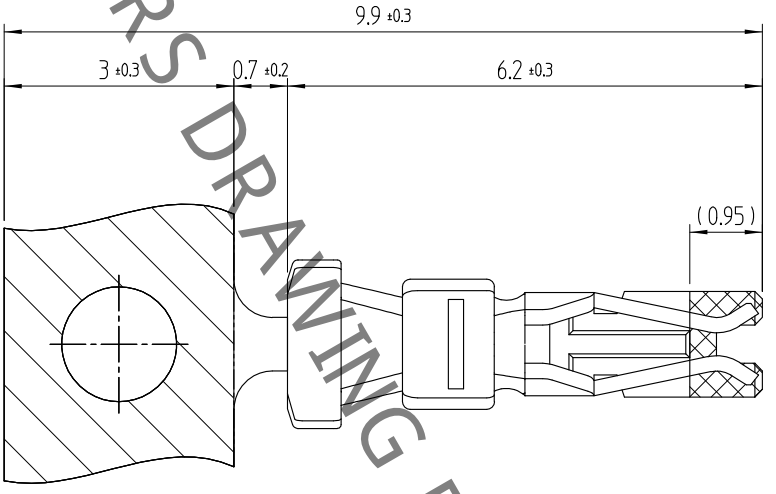
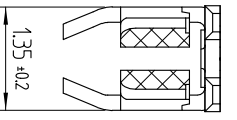


In case of consideration for using Automotive equipment / device which demand high reliability, kindly contact our sales window correspondents.

△數 COUNT	訂正事項 DESCRIPTION OF REVISIONS	擔當 B Y	檢圖 CHKD	年月日 DATE	△數 COUNT	訂正事項 DESCRIPTION OF REVISIONS	擔當 B Y	檢圖 CHKD	年月日 DATE
△				..	△				..
△				..	△				..
△				..	△				..



①

NOTE1. ONE REEL HAS 10,000 PIECES OF CONTACTS.

NO.	MATERIAL	FINISH. REMARKS	NO.	MATERIAL	FINISH. REMARKS
1	PHOSPHOR BRONZE	CONTACT : GOLD PLATING 0.2 $\mu$ m MIN CARRIER : TIN PLATING 1 $\mu$ m MIN OVER NICKEL 0.5 $\mu$ m MIN			

NO.	MATERIAL	FINISH. REMARKS	DRAWN	DESIGNED	CHECKED	APPROVED	RELEASED
			CHOI 17.12.22 J.S	CHOI 17.12.22 J.S	LIM 17.12.22 S.M	KANG 17.12.22 T.S	ENG 20.02.20 DEPT

SCALE	10:1	DRAWING NO.	EDC4-611496	PART NO.	DF51K-22SCFA (800)
UNITS	MM			CODE NO	6652-0043-1-800
					1/1

HRS DRAWING FOR REFERENCE