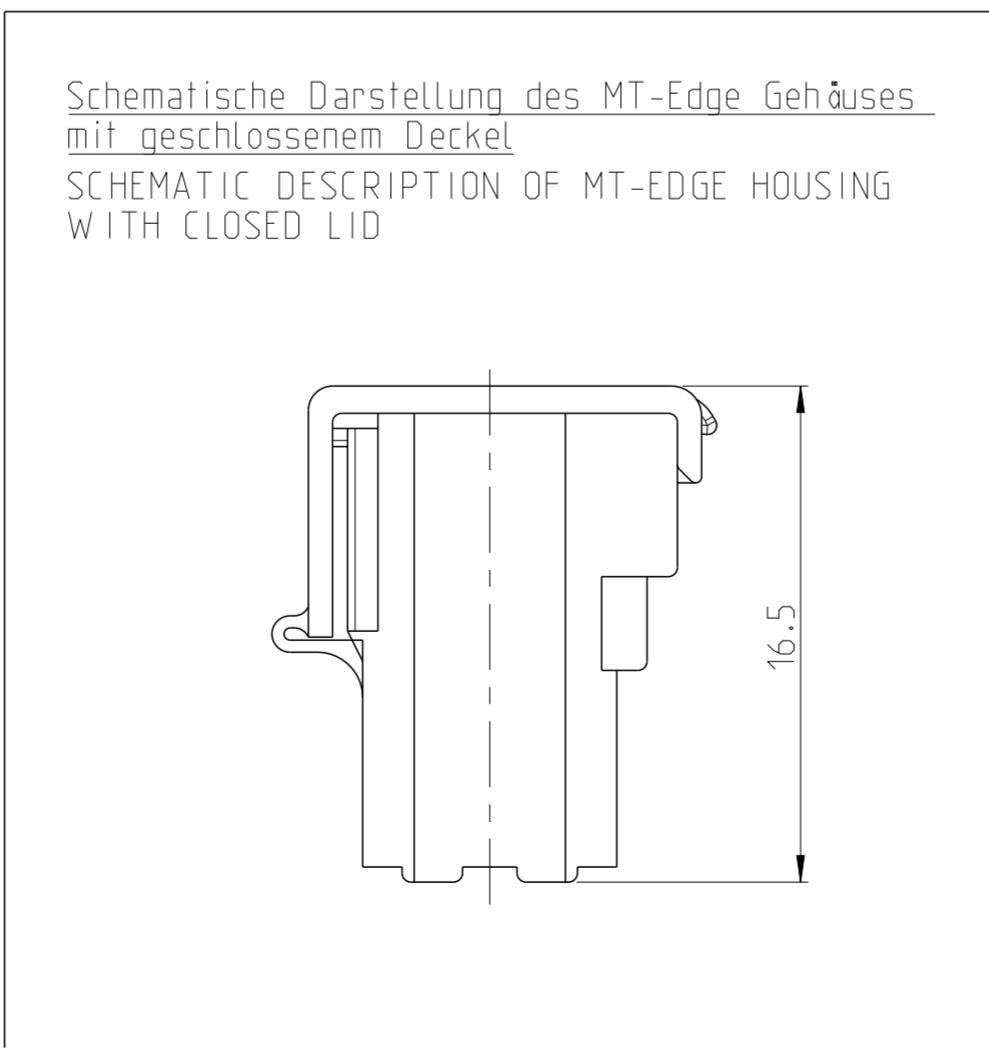
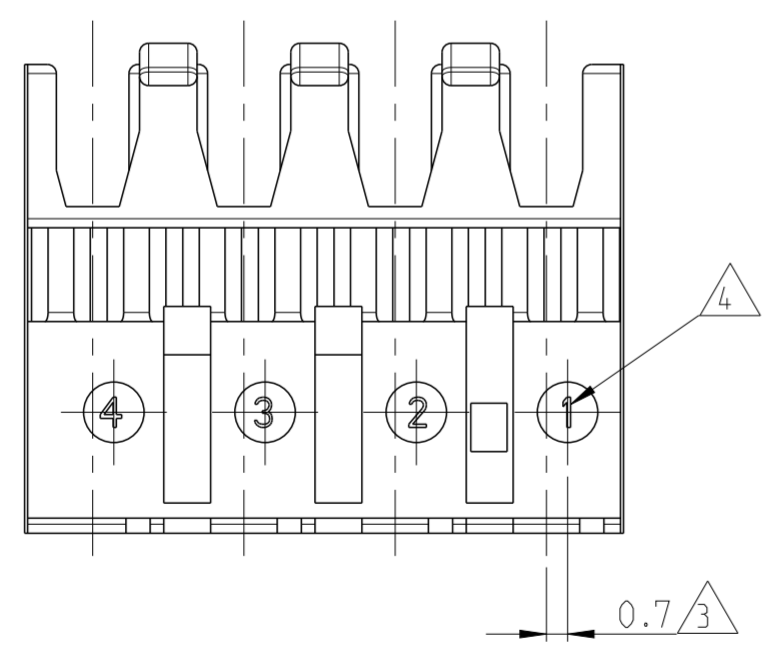
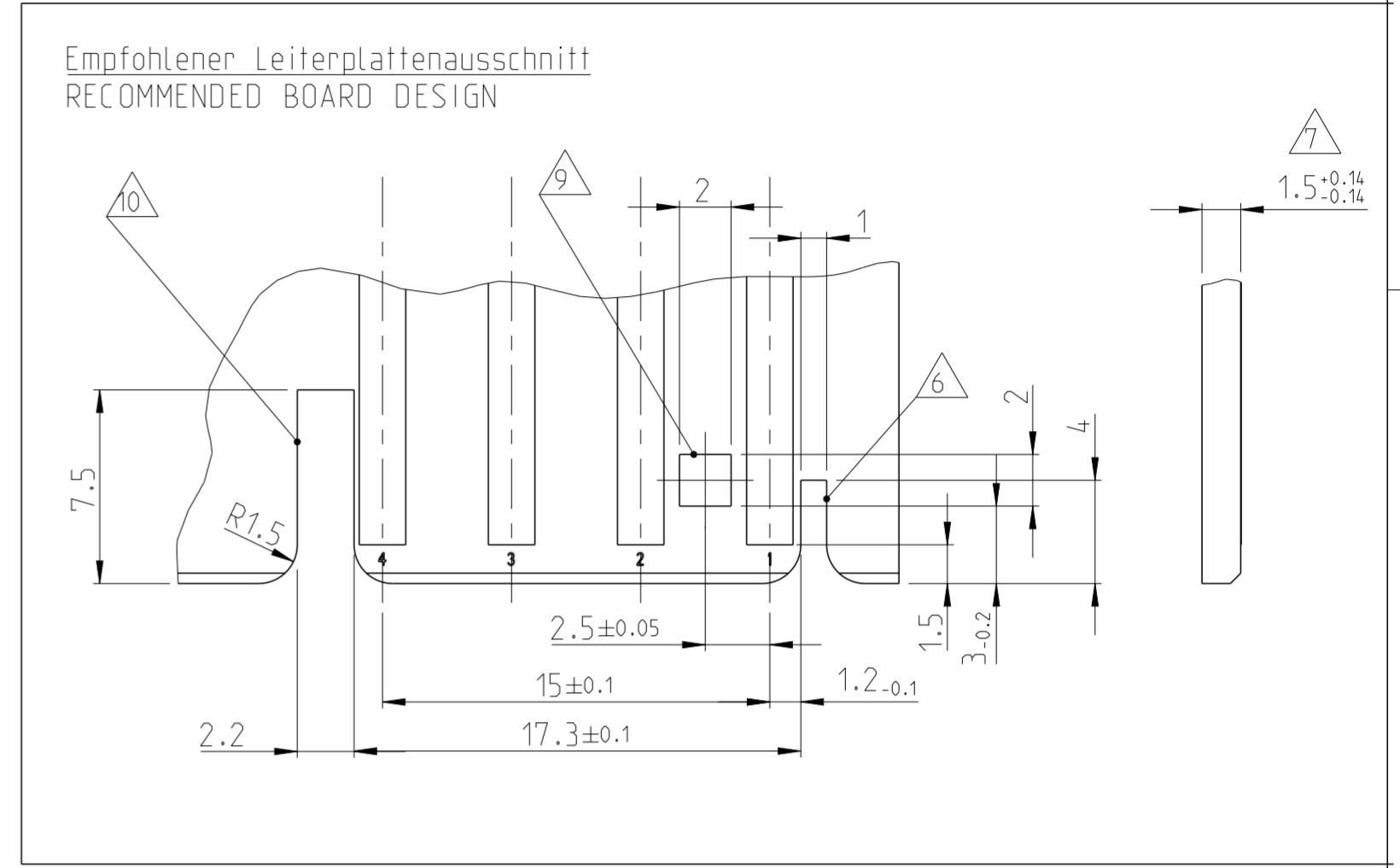
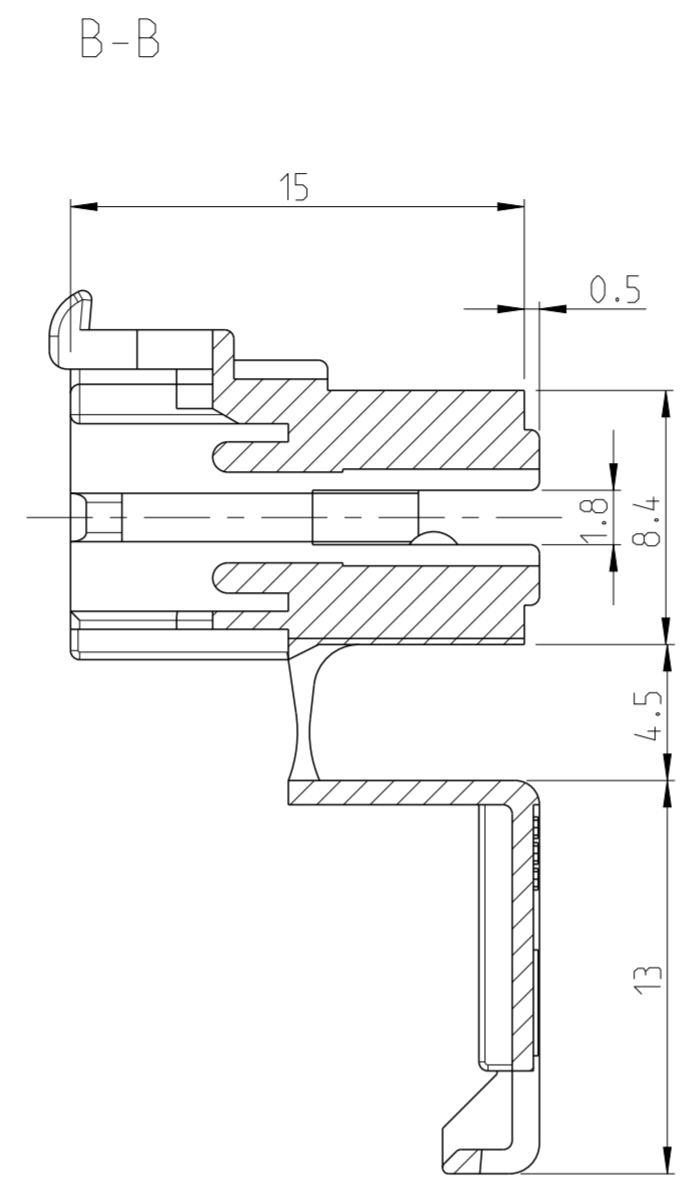
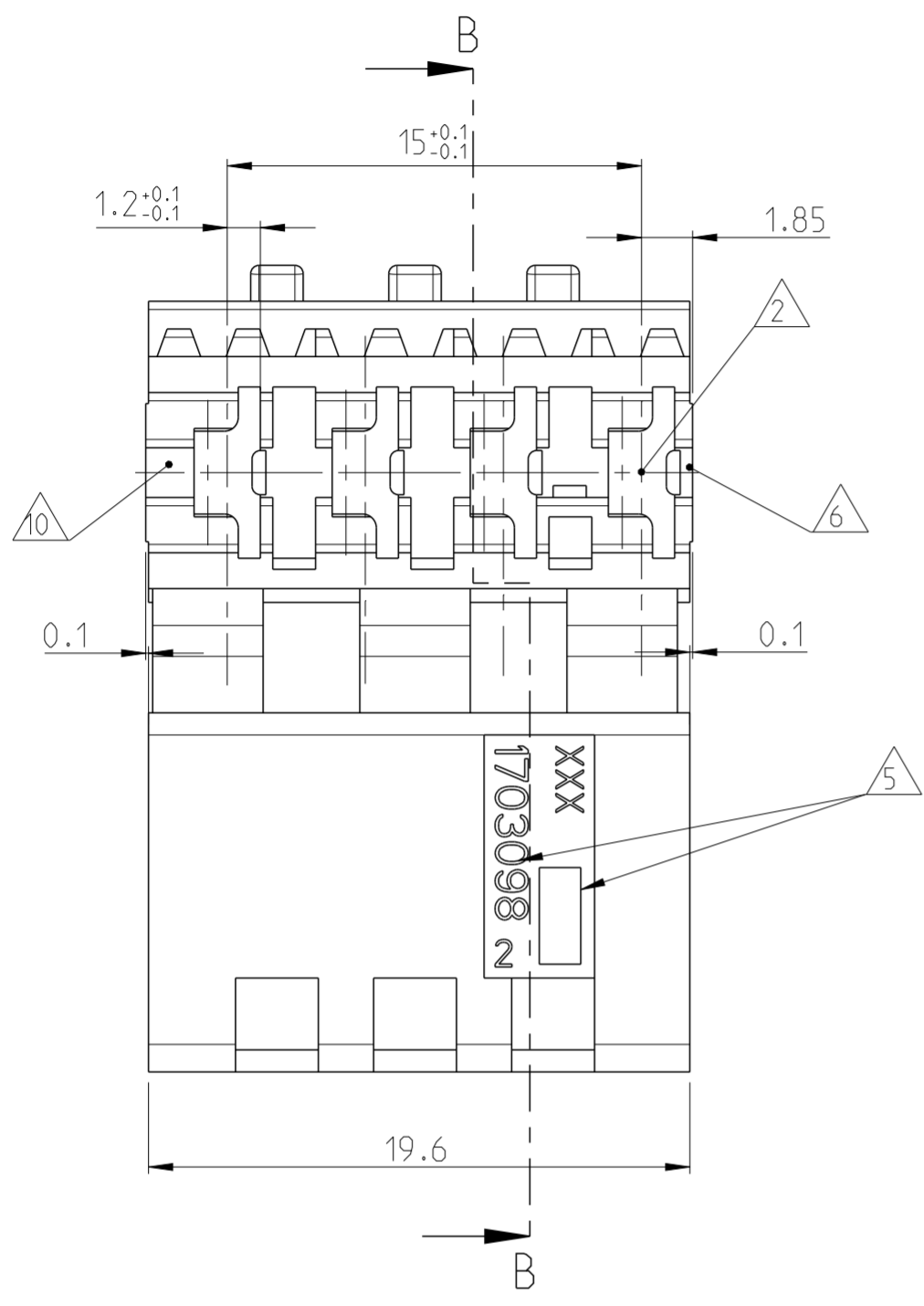


THIS DRAWING IS UNPUBLISHED. RELEASED FOR PUBLICATION 20  
 © COPYRIGHT 20 BY - ALL RIGHTS RESERVED.

LOC		DIST		REVISIONS			
P	LTR	DESCRIPTION	DATE	DWN	APVD		
	B	INITIAL RELEASE	25 JUL 2013	MKD	RRP		



- Bemerkungen  
NOTES
- 1 Massgebend ist der deutsche Text  
ONLY THE GERMAN-LANGUAGE VERSION SHALL BE BINDING
  - 2 Lage des Kontaktpunktes auf der Leiterplatte; Abweichung ±0.4  
POSITION OF CONTACT POINT ON BOARD; DEVIATION ±0.4
  - 3 Kontaktierung zur Drahtmitte um 0.7mm versetzt  
CONTACTING 0.7mm DISPLACED TO WIRE CENTRELINE
  - 4 Kontaktkammer-Nr.  
CONTACT CAVITY #
  - 5 Firmenlogo und Leergehäuse-Nr.  
ARTWORK LOGO AND HOUSING # (NON LOADED)
  - 6 Kodersteg Vor Erster Kammer  
KEYING RIB BEFORE FIRST CAVITY
  - 7 Ausführung nach DIN 60249-2-4  
BOARD DESIGN ACCORDING TO DIN 60249-2-4
  - 8 Crimp Kontakt-Nr.:  
Material: CuSn4 926770-1, 926917-1  
CRIMP CONTACT #:  
MATERIAL: CuSn4
  - 9 SQUARE HOLE 2X2 mm OPTIONAL LOCKING HOLE Ø2.5 mm
  - 10 Kodersteg Nach Letzter Kammer  
KEYING RIB AFTER LAST CAVITY

1-1703098-1	MT-EDGE HOUSING	NATURE
PART-NO.:	DESCRIPTION	COLOUR

THIS DRAWING IS A CONTROLLED DOCUMENT.		DWN Dhanesh	25 JUL 2013	TE Connectivity
DIMENSIONS: mm		CHK Dhanesh	25 JUL 2013	
TOLERANCES UNLESS OTHERWISE SPECIFIED:		APVD Rajendra	25 JUL 2013	
0 PLC ± 1 PLC ±0.2 2 PLC ± 3 PLC ± 4 PLC ± ANGLES ± FINISH ±		NAME	4-WAYS MT-EDGE-HOUSING LOOSE PIECE VERSION	
MATERIAL PA6.6 / UL94V-2		PRODUCT SPEC	108-18003	
		APPLICATION SPEC	114-18002	
		WEIGHT	-	
		Customer Drawing	SCALE	4:1
		SIZE	A2	CAGE CODE
		DRAWING NO	C-1703098	
		RESTRICTED TO	-	
		SHEET	1	OF 1
		REV	B	