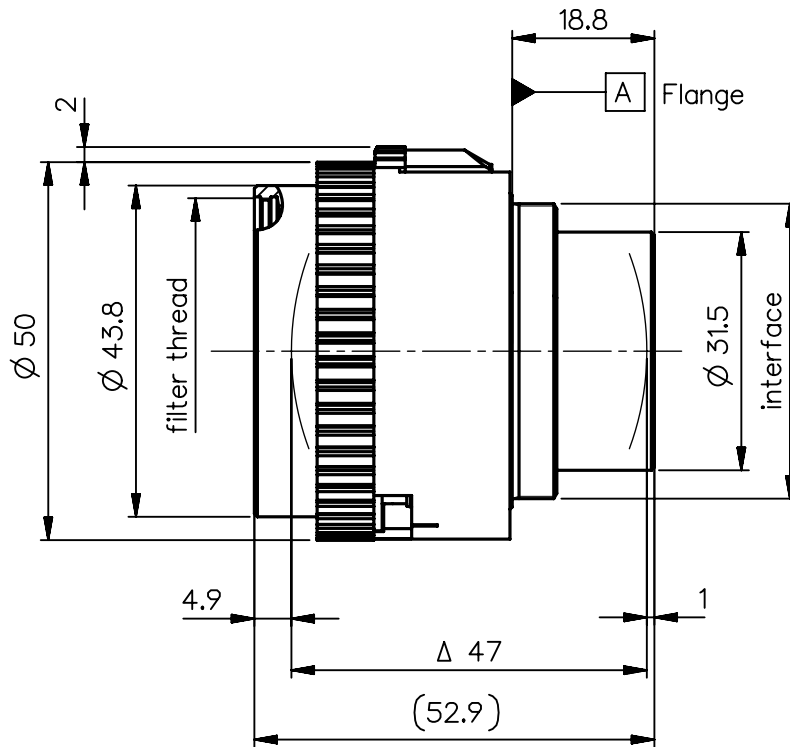


order number	lens name
0703-005-000-40	Apo-Rodagon-D 1x 4/75



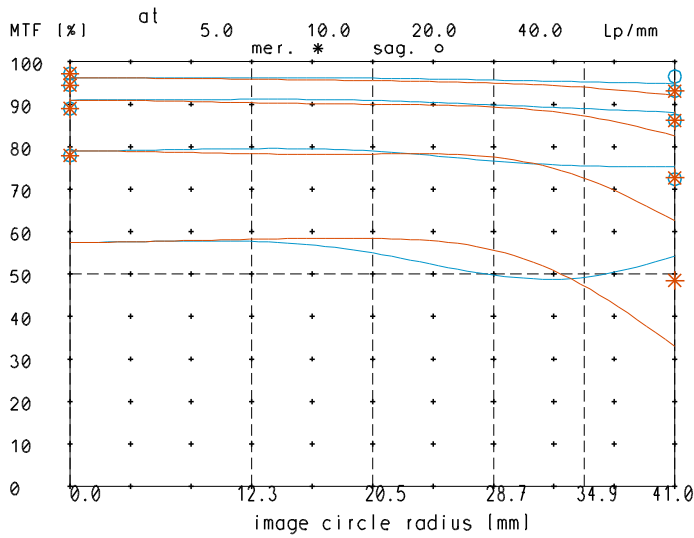
Specification		ON	8501-9002
image circle max. (mm)	82	working distance (mm)	100 - 130
focal length f' (mm)	74.9	interface	M39 x1/26" (Leica)
magnification β' [range]	-1 [-1.2 ... -0.8]	filter thread	M40.5 x0.5
spectral range λ (nm)	400 - 750	weight (g)	130

<p>schematic diagram</p>	*) in air						
	design includes CCD cover glass:	no					
SF (mm)	-44.2	f-stop	4	Ø EnP	18.7	Ø Exp	18.7
S'F' (mm) *)	44.2						
HH' (mm) *)	-14.35		5.6	13.4	13.4		
SH (mm)	30.7		8	9.4	9.4		
S'H' (mm) *)	-30.7		11	6.8	6.8		
S'EnP (mm)	30.7		16	4.7	4.7		
S'Exp (mm) *)	-30.7		22	3.4	3.4		

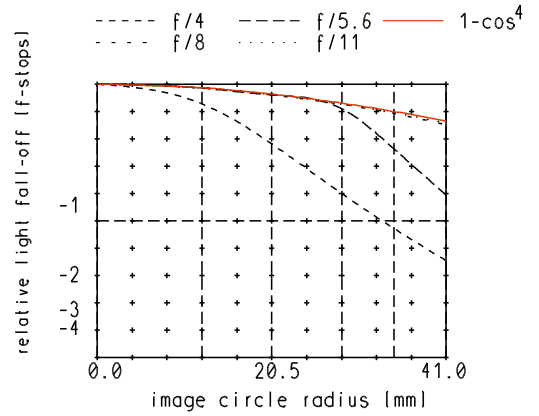
NX PROTECTIVE NOTE "DIN ISO 16016" TO BE OBSERVED	EU-D	AL-T1A	US-D	US-ML	not export controlled		
	REV	ECC	DATE	APPROVED	PDM Status	Freigabe	-
	a	Neuausg	05.08.14	Schiffe	SCALE	1:1	
	b	16-0383	16.06.16	Bo II	MATERIAL		
				BASIC TOLERANCING PRINCIPLE	TITLE	Apo-Rodagon-D 1x 4/75	
				FIRST ISSUE	DATE	NAME	
				ISSUE	05.08.14	Schifferer	
				CHKD	05.08.14	Stauder	
DIN A 4	ALL DIMENSIONS ARE IN MM AND INCLUDE SURFACE TREATMENT			QI OPTIQ	DRAWING NO.	0703-005-100-00-0001b	
					REPLACES		
						SHEET	1
						OF	1

Apo-Rodagon-D_1x_75

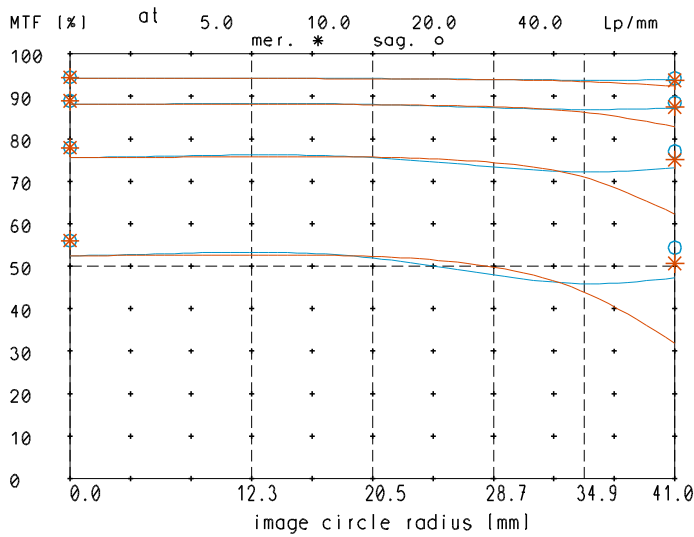
MTF at ratio 1x f/ 4



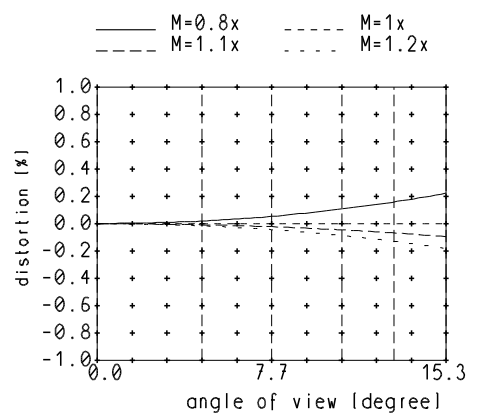
relative light fall-off at ratio 1x



MTF at ratio 1x f/ 8

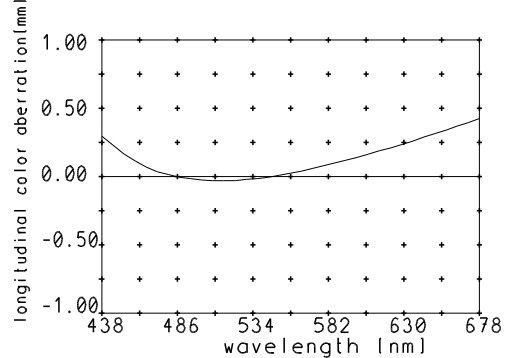


Distortion at ratio 0.8x to 1.2x



— sagittal. o Diffraction limited value
— meridional * Diffraction limited value

Longitudinal color aberration at ratio 1x



Named frequencies (line pairs/mm) in modular transfer function (MTF) as well as diagrams of relative light fall-off, distortion and longitudinal color aberration refer to film plane.