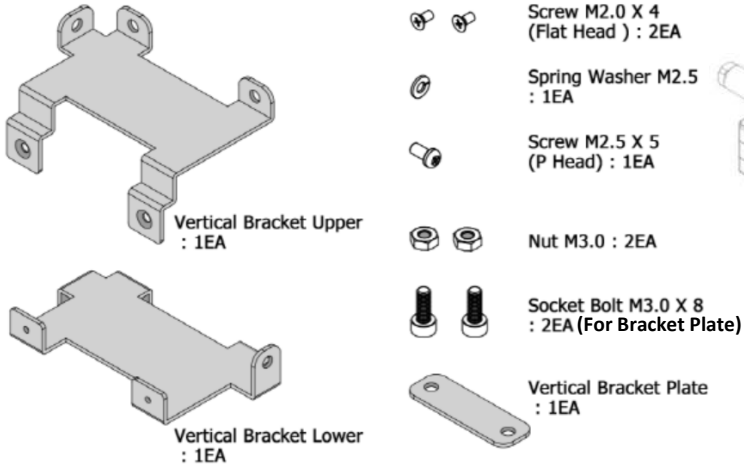


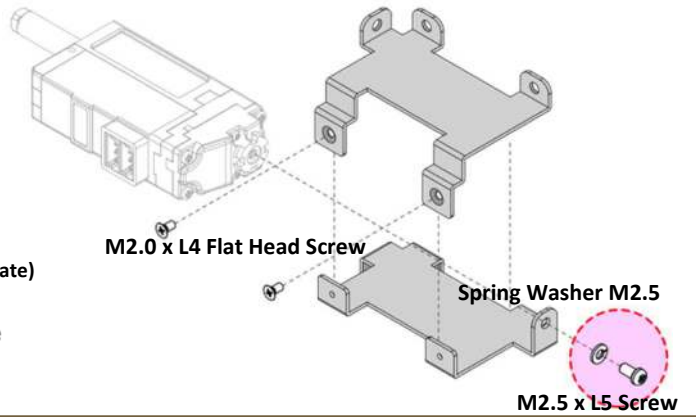
IR-MB04 Metal Bracket (Vertical Type)

- For mounting 26 and 27mm Stroke mightyZAP actuators vertically onto applications.
- For longer stroke mightyZAP, use IR-MB03 or Body case tapping holes.
- Referring to published drawings, user is also able to make this bracket at their end if necessary.
- Bracket material: Stainless Steel

Composition (IR-MB04)

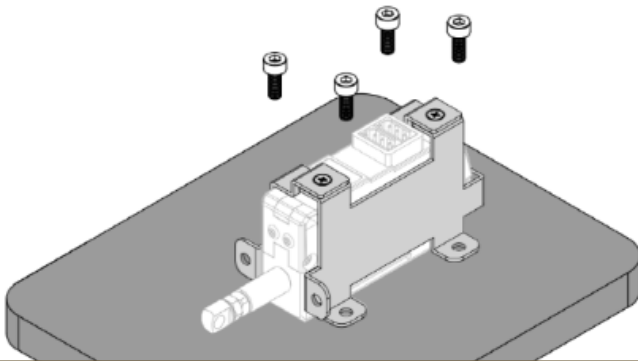


How to mount



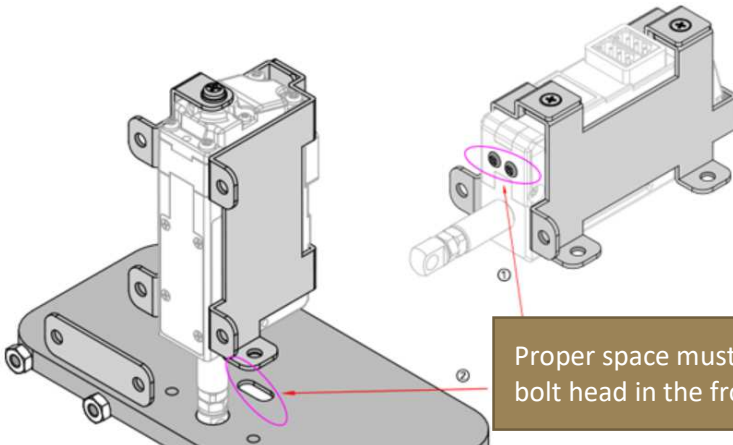
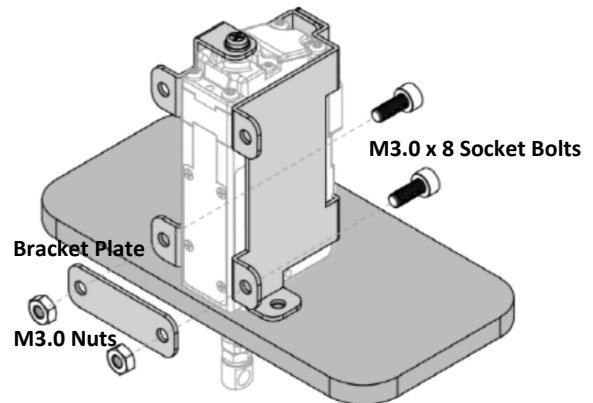
Make sure to use M2.5 spring washer to prevent damage.

[Bottom Side Mounting]



2pcs of M3.0 x 8 Bolts are for Bracket plate. Apply 4pcs of proper M3.0 screws at your end according to your condition.

[Front Side Mounting]



Proper space must be secured to avoid the protruding bolt head in the front of the actuator.

Thank you for your attention.