

Fig. 1

1. INTRODUCTION

AMP Extraction Tool 91116-1 is designed to remove contacts and/or keying plugs from AMP Hi-Current connectors that are used for printed circuit (pc) board edge mount applications. Read this material thoroughly before extracting any contacts or keying plugs.

NOTE

All dimensions presented on this instruction sheet are in inches, unless otherwise stated.

2. DESCRIPTION (see Figure 1)

This tool consists of a contact locking lance release tip and a contact extraction tip for removing contacts, and a keying plug extraction tip for removing keying plugs.

3. CONTACT EXTRACTION

Refer to Figure 1 and proceed as follows:

1. Determine which contact is to be removed.

2. Look straight into FRONT (pc board entry slot) of housing. Notice location of extraction slot.

NOTE

The extraction slot is in line with the keying plug track. If a keying plug is covering the extraction slot, remove the plug before attempting to remove the contact (refer to Paragraph 4, KEYING PLUG EXTRACTION).

3. Pull handle of contact extraction tip back so that lance release tip is FULLY extended.
4. Orient tool with housing so that lance release tip is aligned with extraction slot and contact extraction tip is aligned with contact to be removed.
5. Insert lance release tip into extraction slot until tool bottoms on housing.
6. Maintaining inward pressure on handle of lance release tip, push handle of contact extraction tip forward. The contact will partially back out of housing.

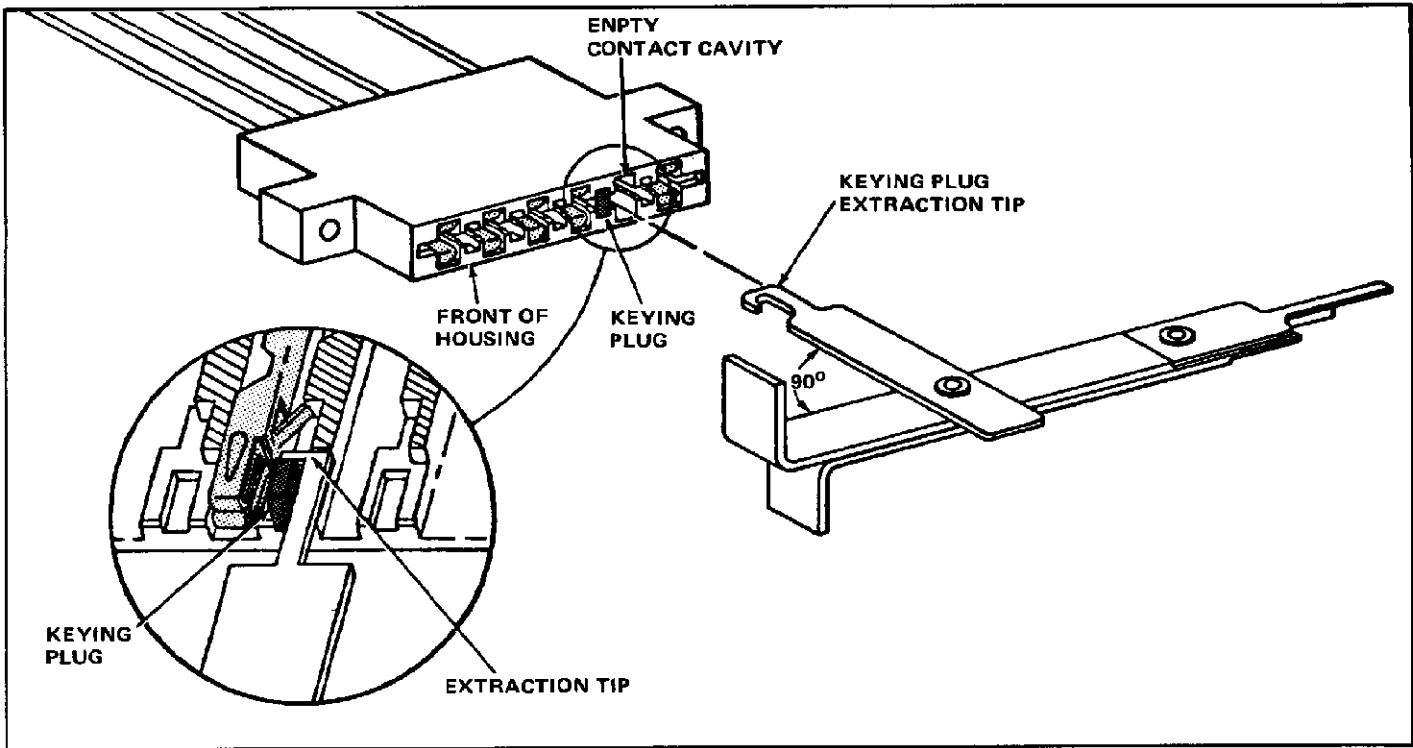


Fig. 2

7. Remove tool and pull contact out BACK of housing.

NOTE

The contacts are designed for multiple insertions and extractions. When inserting a contact that has been extracted, reset the lance (approximately .050 - .060) so that it will engage the slot inside the connector.

4. KEYING PLUG EXTRACTION

NOTE

If contacts are on both sides of the keying plug, remove the adjacent contact - having access to locking lance - before attempting to remove the keying plug (refer to Paragraph 3, CONTACT EXTRACTION).

Refer to Figure 2 and proceed as follows:

1. Pivot keying plug extraction tip so it is 90° to tool body, and hold in this position.
2. Align extraction tip with empty contact cavity - on either side of keying plug to be removed.
3. Insert extraction tip into contact cavity and around BACK of keying plug.
4. Pull tool and keying plug straight out of housing.

5. TOOL CERTIFICATION

AMP Extraction Tool 91116-1 should be certified with the information provided in Figure 3. The tool should be inspected immediately upon arrival at your facility to be sure it has not been damaged in transit, and at regularly scheduled intervals to be sure it remains functional.

Additional tools can be purchased from:

AMP Incorporated
 Eisenhower Boulevard
 Harrisburg, Pennsylvania 17105

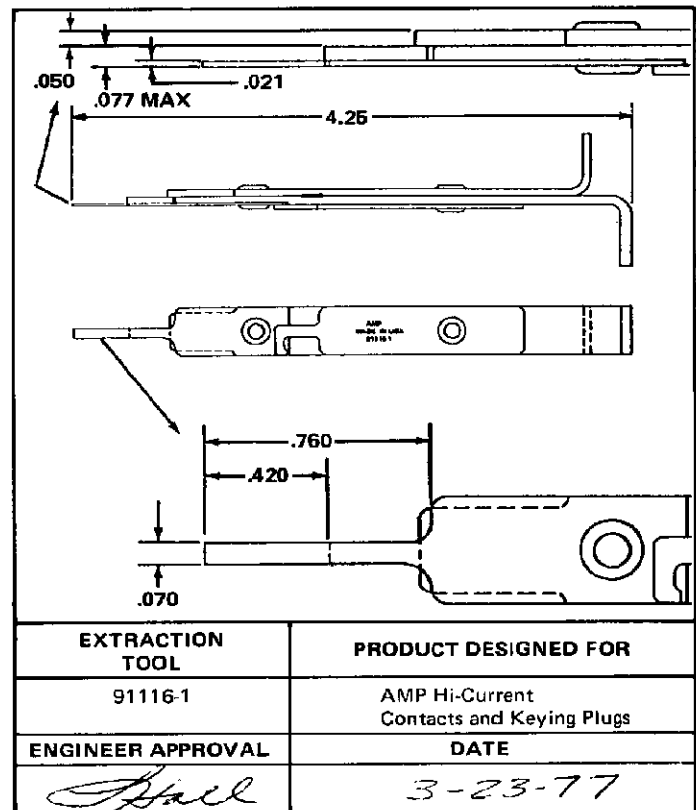


Fig. 3