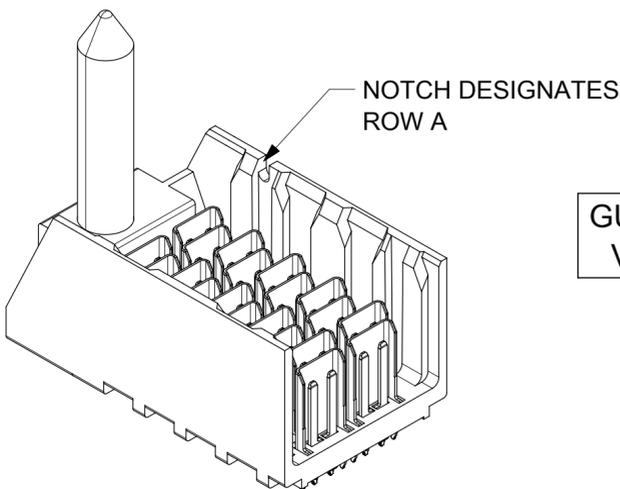
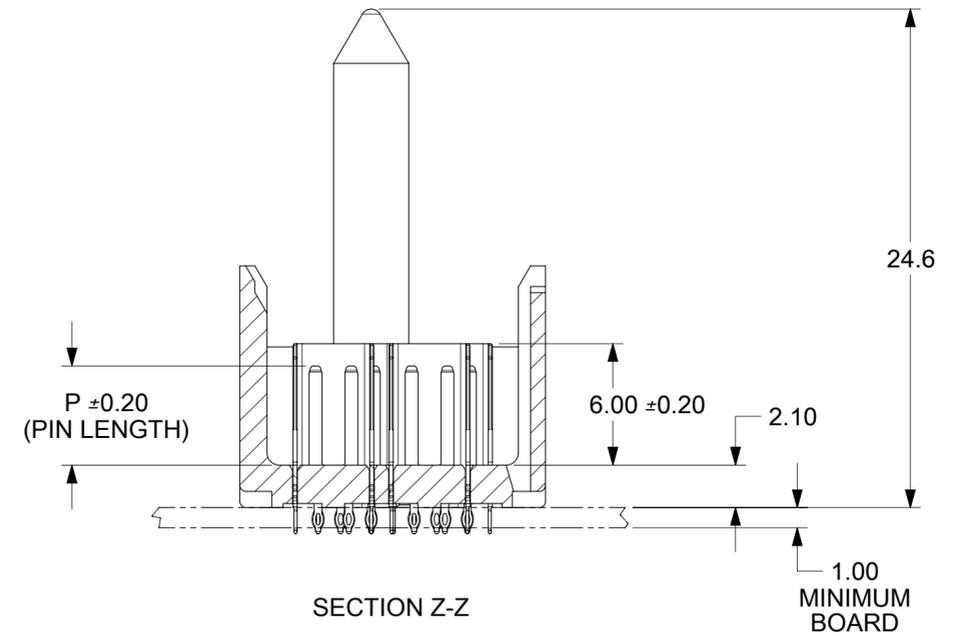
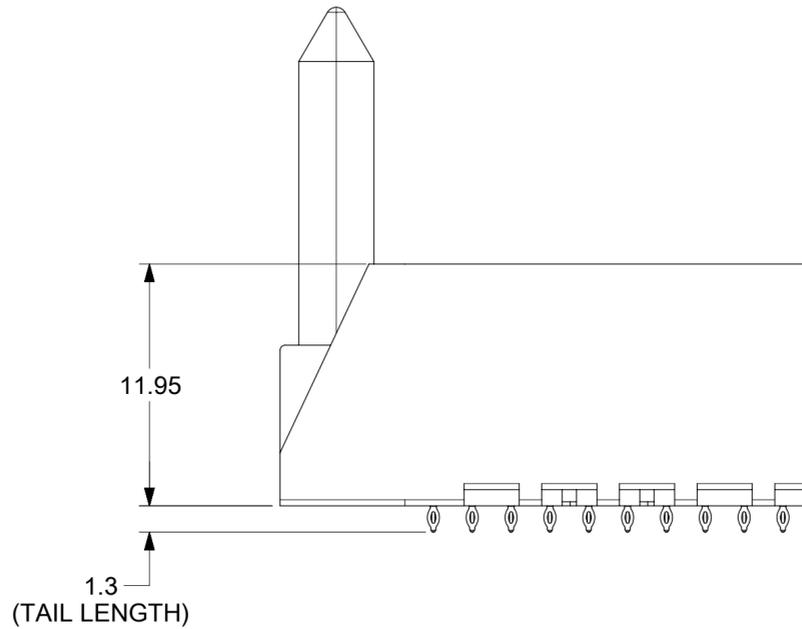


NOTES:

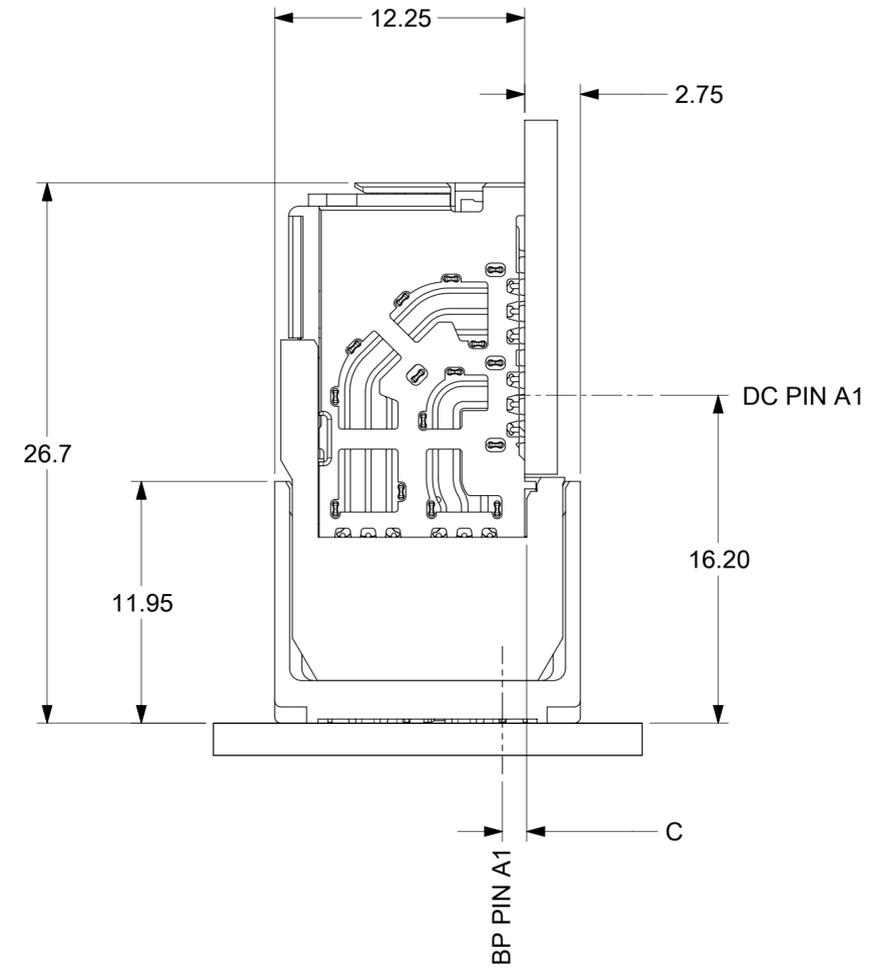
1. MATERIALS: HOUSING - LIQUID CRYSTAL POLYMER (LCP)  
GLASS-FILLED, UL94V-0  
TERMINALS - HIGH PERFORMANCE COPPER ALLOY
2. FINISH: 30uIN GOLD IN CONTACT AREA.  
SELECTIVE TIN ON PCB TAILS.  
NICKEL OVERALL.
3. REFER TO MOLEX PRODUCT SPECIFICATION PS-171320-999 FOR PERFORMANCE SPECIFICATIONS.
4. THIS PART CONFORMS TO CLASS B REQUIREMENTS OF MOLEX COSMETIC SPEC PS-45499-002.
5. PRODUCT WILL BE PACKAGED PER PK-78888-312.
6. SEE SHEETS 2, 3, 4, AND 5 FOR HOLE PATTERN AND MATED PART DIMENSIONS.
7. MATES WITH IMPEL DC SERIES NUMBER 171750.
8. REFER TO IMPEL PCB ROUTING GUIDE AS-171320-990 FOR ANTIPAD, ROUTING RECOMMENDATIONS, AND ADDITIONAL PCB INFORMATION.
9. WHEN STACKING MODULES END TO END, THE MINIMUM COLUMN TO COLUMN SPACING IS 2.65mm.
10. THE KEEP-OUT ZONE FOR THE BP HOUSING LENGTH INCLUDES THE NECESSARY SPACE REQUIRED FOR THE MATING DAUGHTERCARD HOUSING.
11. PART IS SUPPLIED WITH ONE 2-56 UNC-2A SCREW.



GUIDE LEFT  
VERSION

THIS DRAWING CONTAINS INFORMATION THAT IS PROPRIETARY TO MOLEX ELECTRONIC TECHNOLOGIES, LLC AND SHOULD NOT BE USED WITHOUT WRITTEN PERMISSION												
MIGRATED TO NX EC NO: 177983 DRWN: NSRVATSAHS CHKD: DWLEED01 REV / APPR: DWLEED01	GENERAL TOLERANCES (UNLESS SPECIFIED)						DIMENSION UNITS		SCALE		<b>molex</b>	
	ANGULAR TOL ± 0.5 °						MM		4:1			
	4 PLACES ±						DRWN BY		DATE		IMPEL 2 PAIR BACKPLANE GUIDE LEFT ASSEMBLY SALES DRAWING	
	3 PLACES ±						BJANOWIAK		2012/12/06			
	2 PLACES ± 0.13						CHKD BY		DATE			
	1 PLACE ± 0.25						CYLIAW					
	0 PLACES ±						APPR BY		DATE			
	DRAFT WHERE APPLICABLE MUST REMAIN WITHIN DIMENSIONS						JBINGHAM		2014/12/29		PRODUCT CUSTOMER DRAWING	
	A2						DRAWING SIZE		THIRD ANGLE PROJECTION		SERIES MATERIAL NUMBER CUSTOMER	
							C		171745 SEE CHART GENERAL MARKET			
								DOCUMENT NUMBER		DOC TYPE DOC PART SHEET NUMBER		
								SD-171745-0002 PSD 001		1 OF 5		

MATERIAL NUMBER	NUMBER OF COLUMNS	NUMBER OF DIFF PAIR	DIM "A"	DIM "B"	DIM "C"	DIM "P"	PTH $\phi$
171745-3804	8	16	21.90	13.30	1.10	4.90	0.46±0.05
171745-3805	8	16	21.90	13.30	1.10	5.50	0.46±0.05
171745-3807	8	16	21.90	13.30	1.20	4.90	0.36±0.05
171745-3808	8	16	21.90	13.30	1.20	5.50	0.36±0.05
171745-3104	10	20	25.70	17.10	1.10	4.90	0.46±0.05
171745-3105	10	20	25.70	17.10	1.10	5.50	0.46±0.05
171745-3107	10	20	25.70	17.10	1.20	4.90	0.36±0.05
171745-3108	10	20	25.70	17.10	1.20	5.50	0.36±0.05
171745-3204	12	24	29.50	20.90	1.10	4.90	0.46±0.05
171745-3205	12	24	29.50	20.90	1.10	5.50	0.46±0.05
171745-3207	12	24	29.50	20.90	1.20	4.90	0.36±0.05
171745-3208	12	24	29.50	20.90	1.20	5.50	0.36±0.05
171745-3604	16	32	37.10	28.50	1.10	4.90	0.46±0.05
171745-3605	16	32	37.10	28.50	1.10	5.50	0.46±0.05
171745-3607	16	32	37.10	28.50	1.20	4.90	0.36±0.05
171745-3608	16	32	37.10	28.50	1.20	5.50	0.36±0.05



MATED PART DIMENSIONS

171745 - \* \* 0 \*

MODULE TYPE  
 3 = GUIDE LEFT  
 7 = GUIDE LEFT END WALL

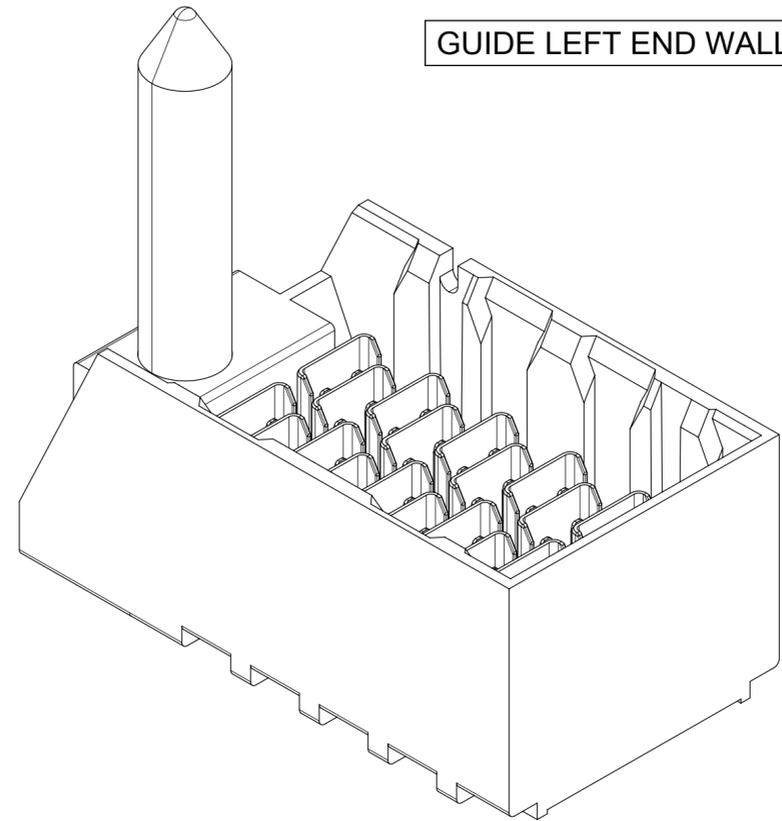
PIN LENGTH (P)  
 4 = 4.90 (0.46 PTH)  
 5 = 5.50 (0.46 PTH)  
 7 = 4.90 (0.36 PTH)  
 8 = 5.50 (0.36 PTH)

# OF COLUMNS  
 8 = 8 COL  
 1 = 10 COL  
 2 = 12 COL  
 6 = 16 COL

THIS DRAWING CONTAINS INFORMATION THAT IS PROPRIETARY TO MOLEX ELECTRONIC TECHNOLOGIES, LLC AND SHOULD NOT BE USED WITHOUT WRITTEN PERMISSION

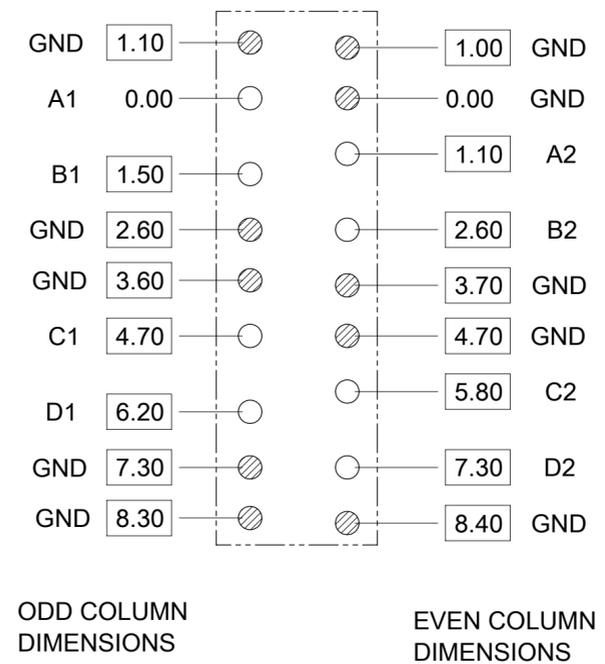
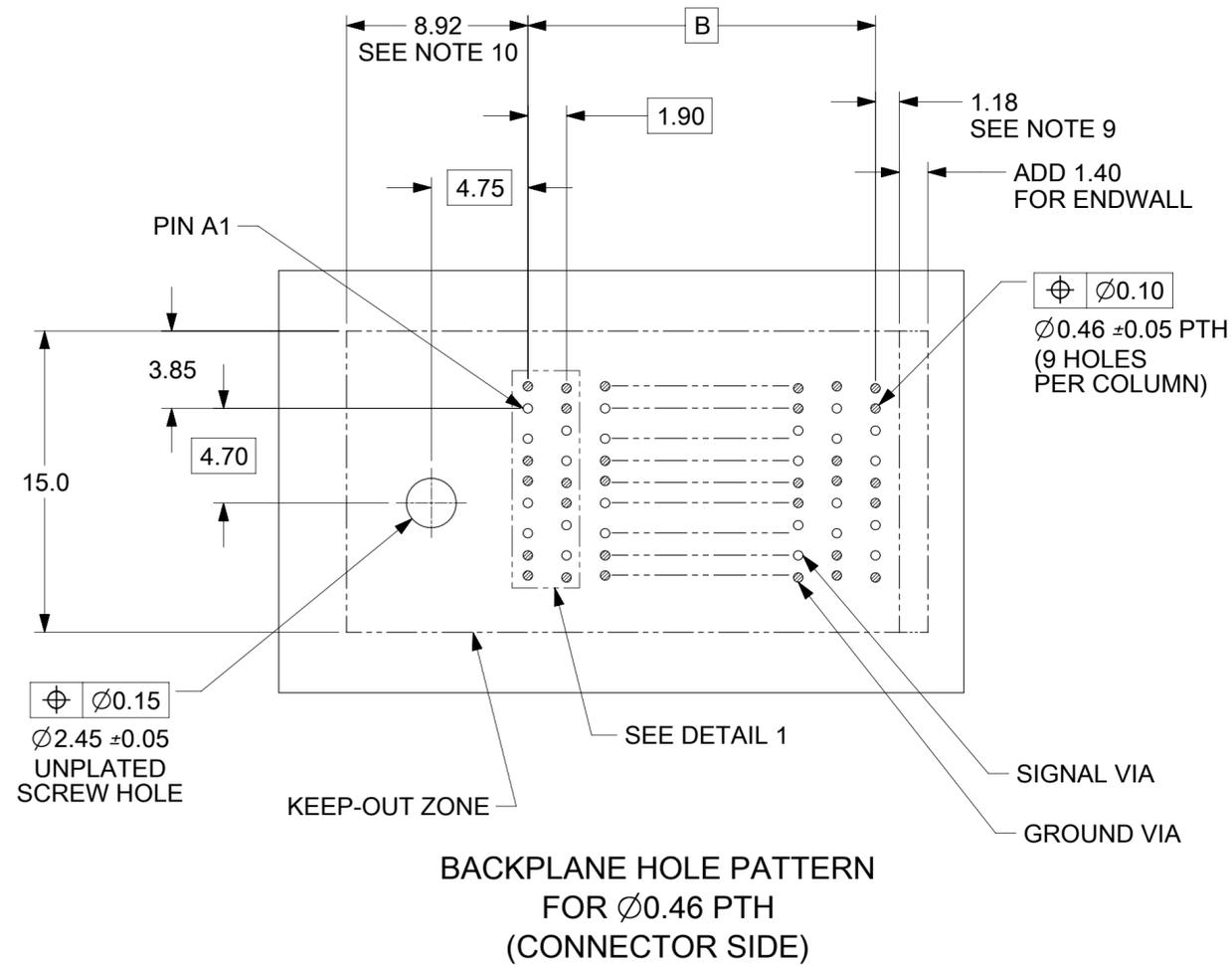
MIGRATED TO NX EC NO: 177983 DRWN: NSRVATSAHS CHKD: DWLEED01 REV / APPR: DWLEED01	2017/10/27	2018/07/12	2018/07/12	GENERAL TOLERANCES (UNLESS SPECIFIED)	DIMENSION UNITS: MM	SCALE: 4:1	<b>molex</b>  IMPEL 2 PAIR BACKPLANE GUIDE LEFT ASSEMBLY SALES DRAWING	
	ANGULAR TOL ± 0.5 °			DRWN BY: BJanowiak	DATE: 2012/12/06	PRODUCT CUSTOMER DRAWING		
	4 PLACES ±	3 PLACES ±	2 PLACES ± 0.13	CHKD BY: CYLIAW	DATE:	SERIES: 171745 MATERIAL NUMBER: SEE CHART CUSTOMER: GENERAL MARKET		
	1 PLACE ± 0.25	0 PLACES ±	DRAFT WHERE APPLICABLE MUST REMAIN WITHIN DIMENSIONS		DRAWING SIZE: C	THIRD ANGLE PROJECTION		DOCUMENT NUMBER: SD-171745-0002 DOC TYPE: PSD DOC PART: 001 SHEET NUMBER: 2 OF 5

MATERIAL NUMBER	NUMBER OF COLUMNS	NUMBER OF DIFF PAIR	DIM "A"	DIM "B"	DIM "C"	DIM "P"	PTH $\phi$
171745-7804	8	16	23.30	13.30	1.10	4.90	0.46±0.05
171745-7805	8	16	23.30	13.30	1.10	5.50	0.46±0.05
171745-7807	8	16	23.30	13.30	1.20	4.90	0.36±0.05
171745-7808	8	16	23.30	13.30	1.20	5.50	0.36±0.05
171745-7104	10	20	27.10	17.10	1.10	4.90	0.46±0.05
171745-7105	10	20	27.10	17.10	1.10	5.50	0.46±0.05
171745-7107	10	20	27.10	17.10	1.20	4.90	0.36±0.05
171745-7108	10	20	27.10	17.10	1.20	5.50	0.36±0.05
171745-7204	12	24	30.90	20.90	1.10	4.90	0.46±0.05
171745-7205	12	24	30.90	20.90	1.10	5.50	0.46±0.05
171745-7207	12	24	30.90	20.90	1.20	4.90	0.36±0.05
171745-7208	12	24	30.90	20.90	1.20	5.50	0.36±0.05
171745-7604	16	32	38.50	28.50	1.10	4.90	0.46±0.05
171745-7605	16	32	38.50	28.50	1.10	5.50	0.46±0.05
171745-7607	16	32	38.50	28.50	1.20	4.90	0.36±0.05
171745-7608	16	32	38.50	28.50	1.20	5.50	0.36±0.05



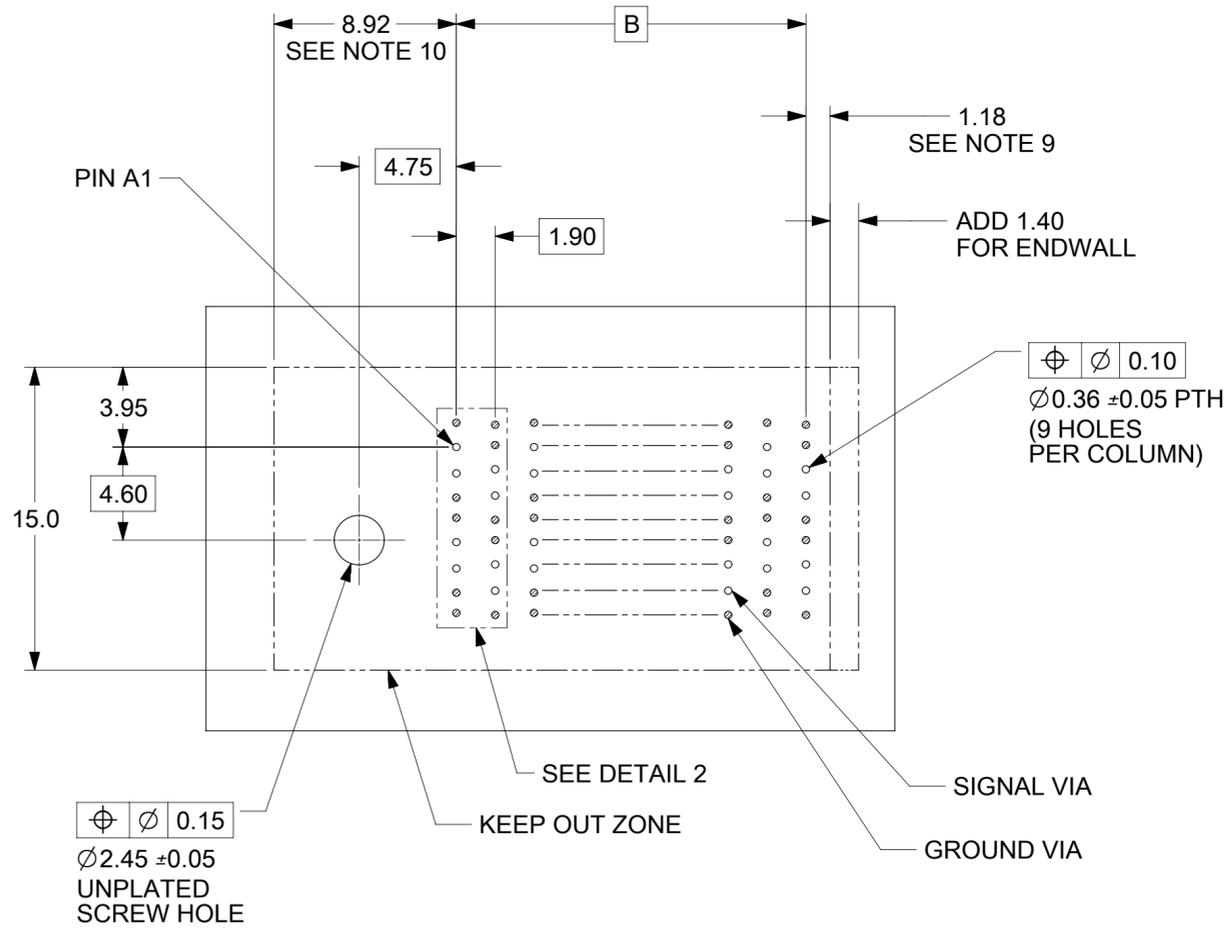
THIS DRAWING CONTAINS INFORMATION THAT IS PROPRIETARY TO MOLEX ELECTRONIC TECHNOLOGIES, LLC AND SHOULD NOT BE USED WITHOUT WRITTEN PERMISSION

MIGRATED TO NX EC NO: 177983 DRWN: NSRVATSAHS CHKD: DWLEED01 REV / APPR: DWLEED01	GENERAL TOLERANCES (UNLESS SPECIFIED)		DIMENSION UNITS	SCALE	<b>molex</b>  IMPEL 2 PAIR BACKPLANE GUIDE LEFT ASSEMBLY SALES DRAWING	
	ANGULAR TOL ± 0.5 °		MM	4:1		
	4 PLACES ±	DRWN BY	DATE			
	3 PLACES ±	BJANOWIAK	2012/12/06			
2 PLACES ± 0.13	CHKD BY	DATE		PRODUCT CUSTOMER DRAWING		
1 PLACE ± 0.25	CYLIAW					
0 PLACES ±	APPR BY	DATE				
DRAFT WHERE APPLICABLE MUST REMAIN WITHIN DIMENSIONS	JBINGHAM	2014/12/29				
A2	DRAWING SIZE	THIRD ANGLE PROJECTION	SERIES		MATERIAL NUMBER	CUSTOMER
	C		171745		SEE CHART	GENERAL MARKET
			DOCUMENT NUMBER		DOC TYPE	DOC PART SHEET NUMBER
			SD-171745-0002		PSD	001 3 OF 5

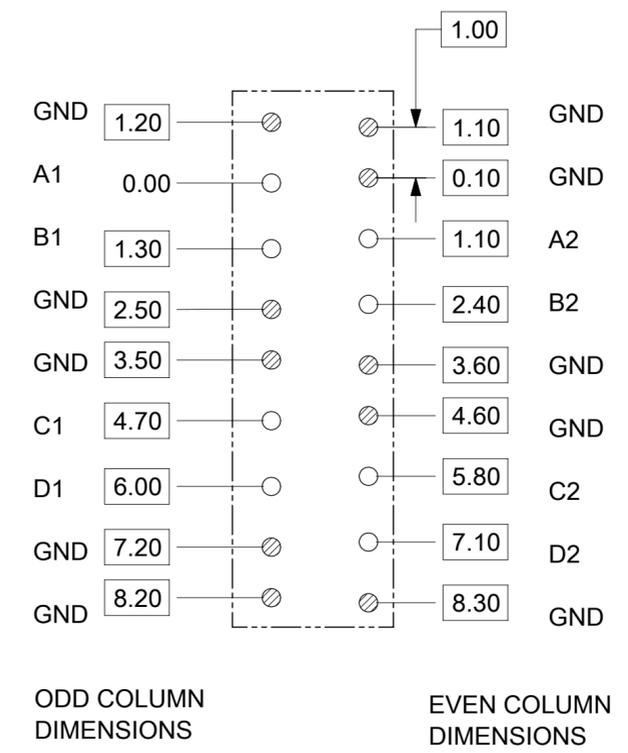


THIS DRAWING CONTAINS INFORMATION THAT IS PROPRIETARY TO MOLEX ELECTRONIC TECHNOLOGIES, LLC AND SHOULD NOT BE USED WITHOUT WRITTEN PERMISSION

MIGRATED TO NX EC NO: 177983 DRWN: NSRVATSAHS CHKD: DWLEED01 REV / APPR: DWLEED01	2017/10/27		2018/07/12		2018/07/12		<b>GENERAL TOLERANCES (UNLESS SPECIFIED)</b> ANGULAR TOL $\pm 0.5^\circ$ 4 PLACES $\pm$ 3 PLACES $\pm$ 2 PLACES $\pm 0.13$ 1 PLACE $\pm 0.25$ 0 PLACES $\pm$ DRAFT WHERE APPLICABLE MUST REMAIN WITHIN DIMENSIONS	DIMENSION UNITS	SCALE			
	MM		4:1		DRWN BY	DATE		BJANOWIAK	2012/12/06			
	4 PLACES $\pm$		3 PLACES $\pm$		CHKD BY	DATE		CYLIAW				
	2 PLACES $\pm 0.13$		1 PLACE $\pm 0.25$		APPR BY	DATE		JBINGHAM 2014/12/29				
RELEASE STATUS	P1	RELEASE DATE	2018/07/12	06:52:37	DRAWING SIZE		THIRD ANGLE PROJECTION	PRODUCT CUSTOMER DRAWING SERIES: 171745 MATERIAL NUMBER: SEE CHART CUSTOMER: GENERAL MARKET				
A2					C			DOCUMENT NUMBER: SD-171745-0002		DOC TYPE: PSD	DOC PART: 001	SHEET NUMBER: 4 OF 5



BACKPLANE HOLE PATTERN  
FOR Ø0.36 PTH  
(CONNECTOR SIDE)



DETAIL 2  
SCALE 10:1

THIS DRAWING CONTAINS INFORMATION THAT IS PROPRIETARY TO MOLEX ELECTRONIC TECHNOLOGIES, LLC AND SHOULD NOT BE USED WITHOUT WRITTEN PERMISSION											
MIGRATED TO NX EC NO: 177983 DRWN: NSRVATSAHS CHKD: DWLEED01 REV / APPR: DWLEED01	GENERAL TOLERANCES (UNLESS SPECIFIED)			DIMENSION UNITS	SCALE	<b>molex</b>  IMPEL 2 PAIR BACKPLANE GUIDE LEFT ASSEMBLY SALES DRAWING					
	ANGULAR TOL ± 0.5 °			MM	4:1						
	4 PLACES ±		DRAWN BY		DATE	PRODUCT CUSTOMER DRAWING					
	3 PLACES ±		BJANOWIAK		2012/12/06						
	2 PLACES ± 0.13		CHKD BY		DATE	SERIES MATERIAL NUMBER CUSTOMER 171745 SEE CHART GENERAL MARKET					
	1 PLACE ± 0.25		CYLIAW								
0 PLACES ±		APPR BY		DATE	DOCUMENT NUMBER DOC TYPE DOC PART SHEET NUMBER SD-171745-0002 PSD 001 5 OF 5						
DRAFT WHERE APPLICABLE MUST REMAIN WITHIN DIMENSIONS		JBINGHAM		2014/12/29							
A2	C	DRAWING SIZE		THIRD ANGLE PROJECTION							