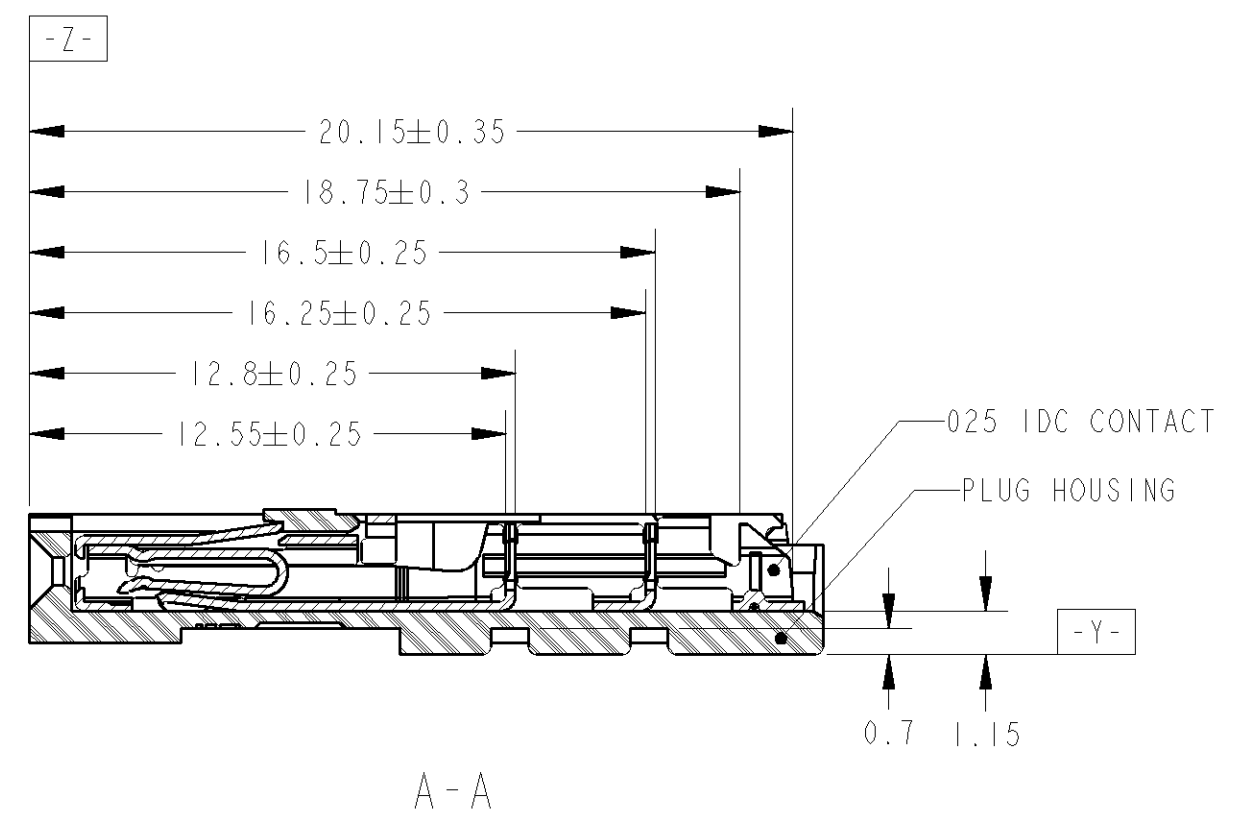
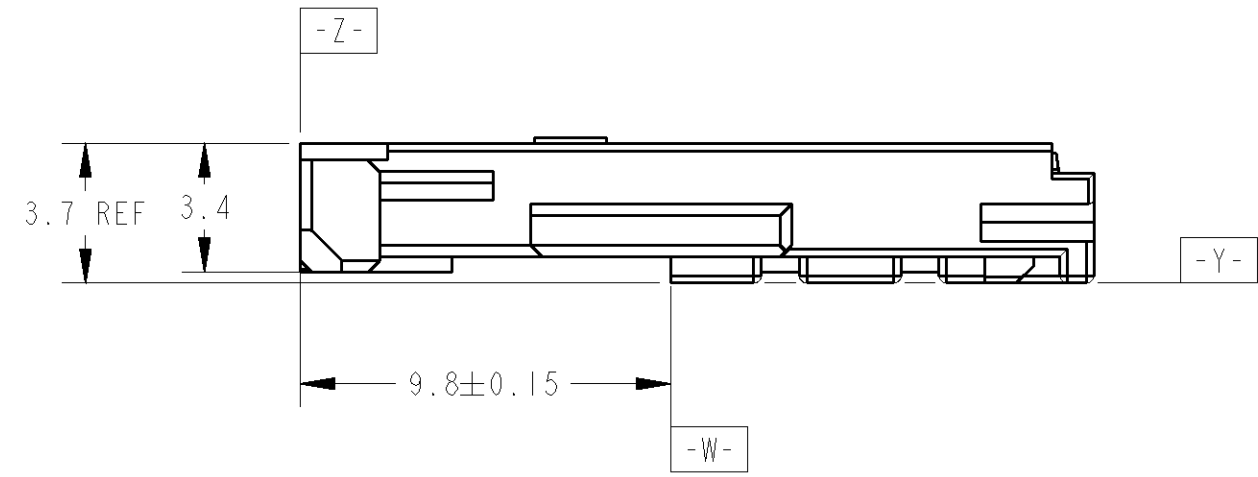
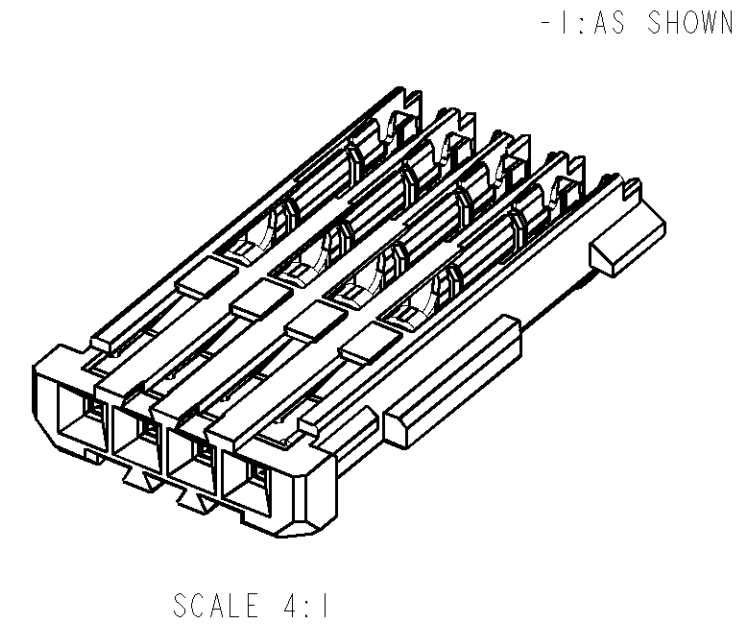
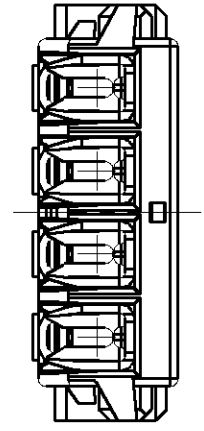
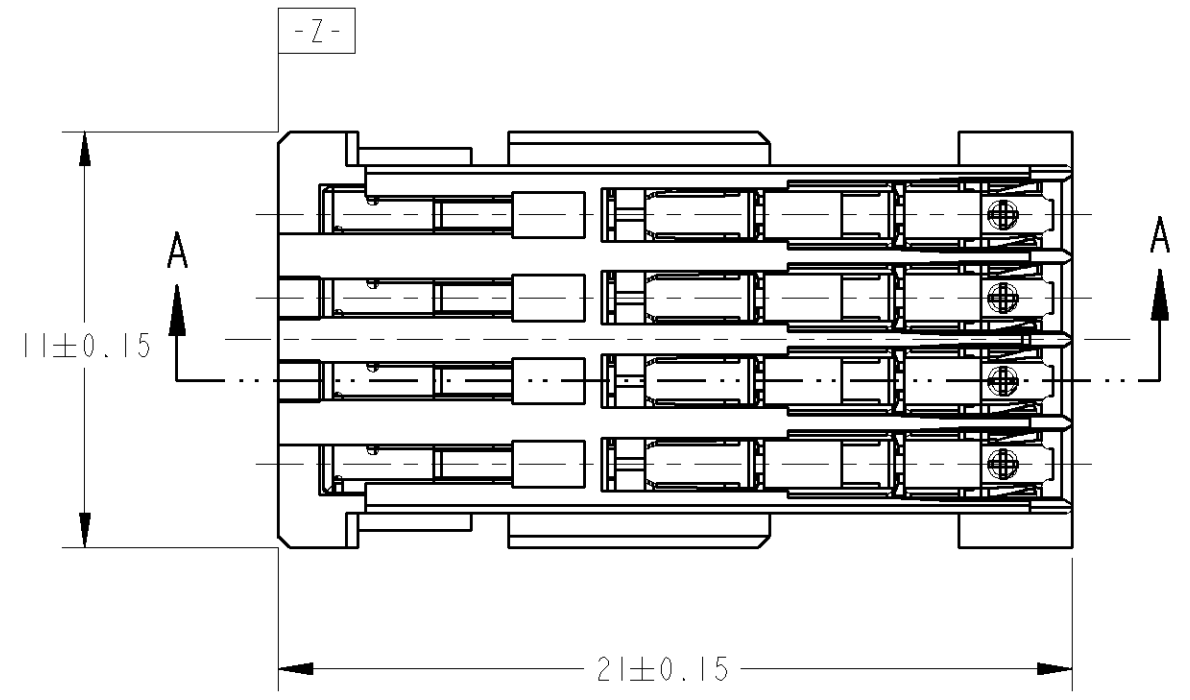
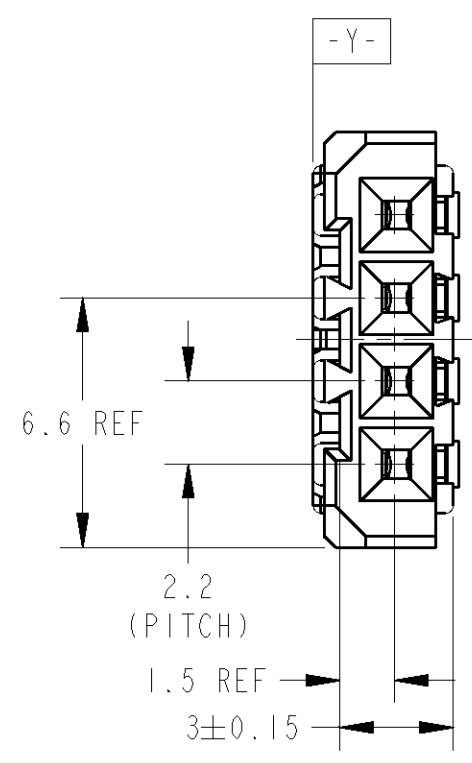
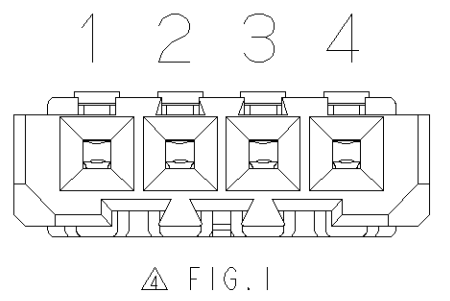
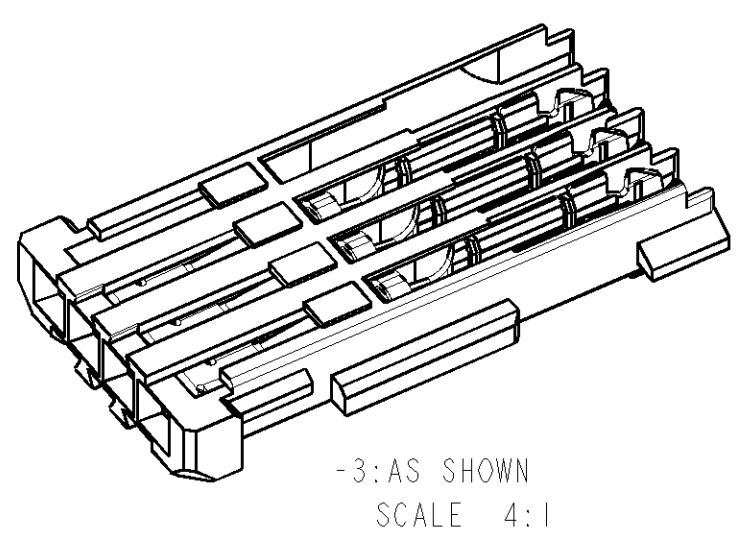
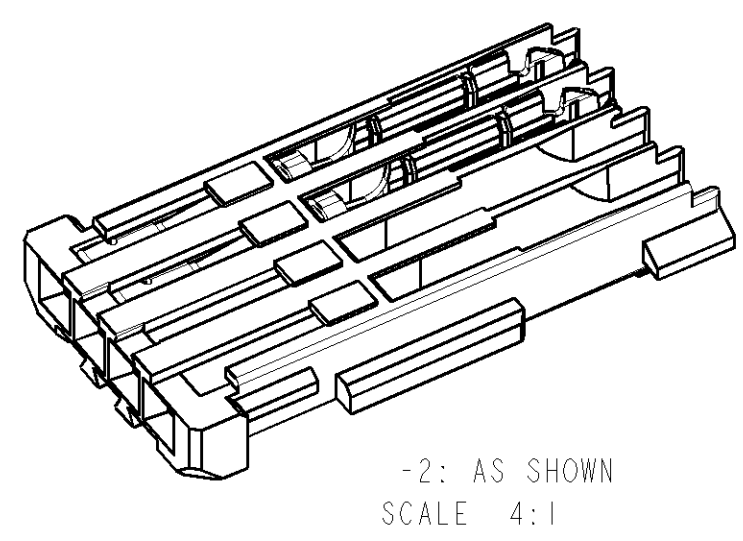


THIS DRAWING IS UNPUBLISHED. RELEASED FOR PUBLICATION 20  
 © COPYRIGHT 20 ALL RIGHTS RESERVED.

LOC	DIST	REVISIONS						
		P	LTR	DESCRIPTION	ECN	DATE	DWN	APVD
J	-	O		RELEASED	FJA0-0457-03	25AUG03	TS	KB
		A		REVISED	ECR-06-011679	12MAY06	KF	HY
		AI		REVISED	ECR-12-000570	11JAN12	TS	KB



- 取扱説明書: 411-5912
  - 本品はロックハウジング型番 1473801 を装着して使用する。
  - 嵌合相手型番: 1473790
  - 回路番号: FIG. 1 参照
- INSTRUCTION SHEET: 411-5912
  - PLUG HOUSING MUST BE USED WITH LOCK HOUSING PN 1473801
  - PART NUMBER OF HOUSING TO BE MATED: 1473790
  - CIRCUIT NUMBER: SEE FIG. 1



1	NATURAL 自然色	1717248-3
3-4	NATURAL 自然色	1717248-2
—//—	NATURAL 自然色	1717248-1
NO TERMINAL CIRCUIT NO 欠番 △	COLOR 色	PART NUMBER 型番

THIS DRAWING IS A CONTROLLED DOCUMENT.

DIMENSIONS: 単位: 稀 mm	TOLERANCES UNLESS OTHERWISE SPECIFIED: 公差: ±0.3 0-PLC ± 1-PLC ±0.1 2-PLC ±0.01 3-PLC ±0.001 4-PLC ±0.0001 ANGLES ±3°00'	DWN T. SHINOHARA 21MAY03 CHK S. AMEMIYA 21MAY03 APVD H. YAMAGAMI 21MAY03	NAME 名義
MATERIAL 材料 HSG:PBT CONT:Cu Alloy	HSG:SEE TABLE CONT:POST TIN	PRODUCT SPEC 108-5660 APPLICATION SPEC 114-5276	SIZE A2
CUSTOMER DRAWING		WEIGHT 1.34	DRAWING NO 1717248
		SCALE 5:1	SHEET OF REV 1 1 AI

**STE** TE Connectivity

4POSITION PLUG ASSEMBLY  
025 IDC CONNECTOR