

THIS DRAWING IS UNPUBLISHED. RELEASED FOR PUBLICATION 20

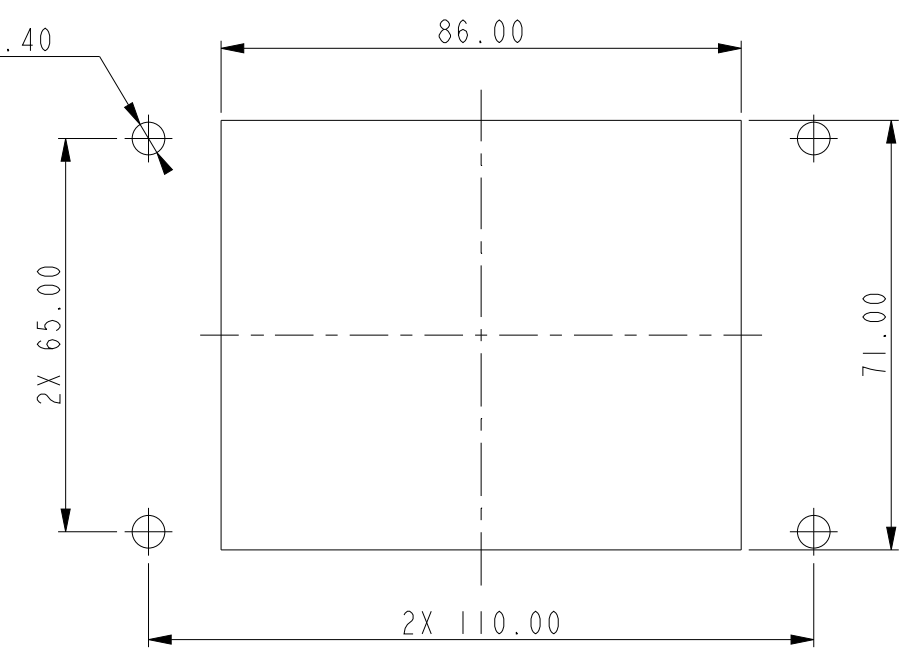
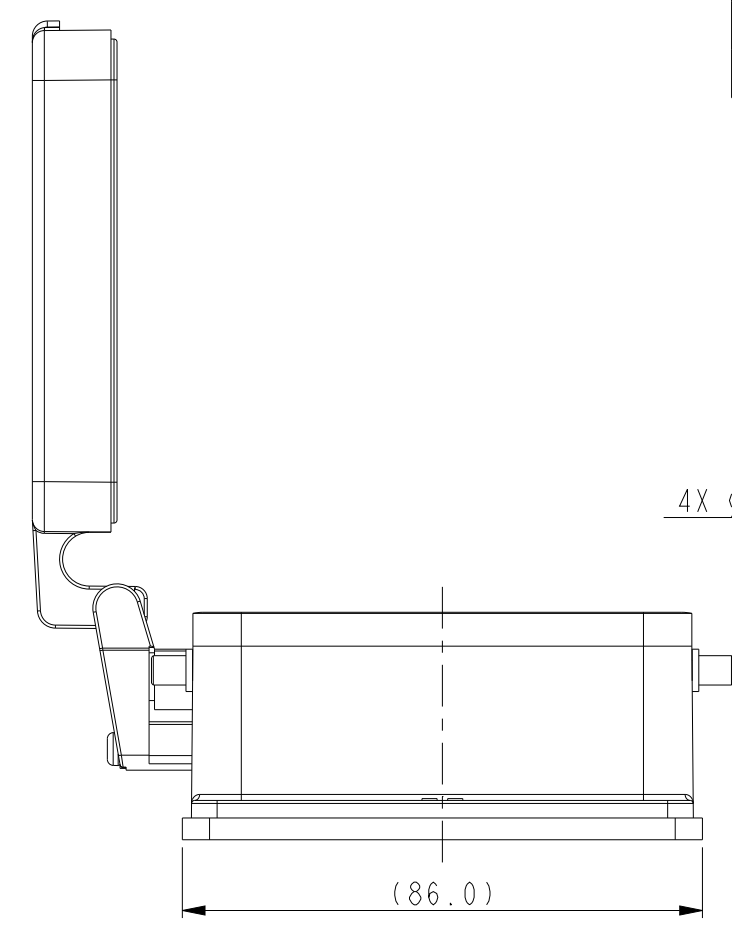
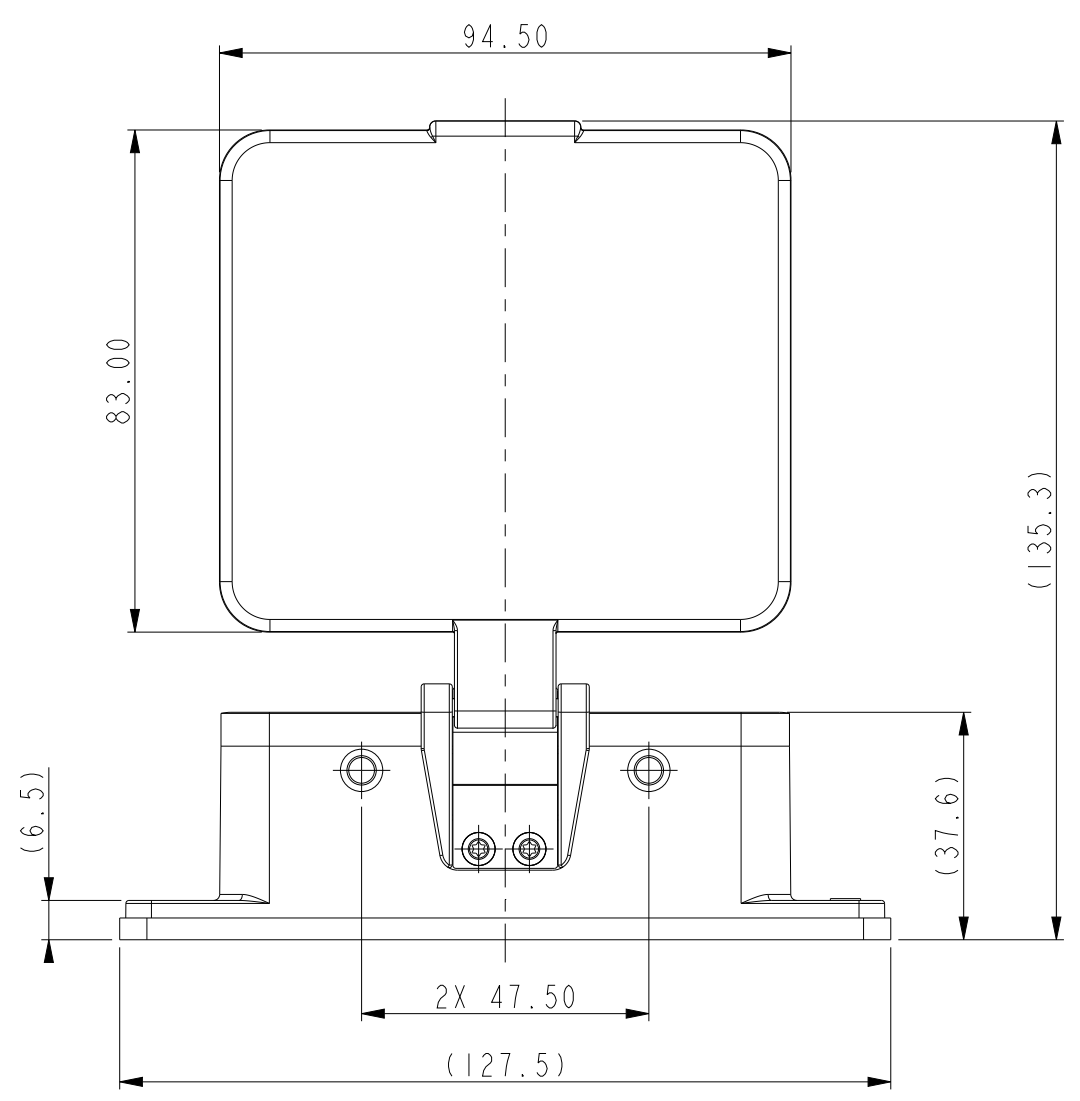
© COPYRIGHT 20 BY - ALL RIGHTS RESERVED.

REVISIONS

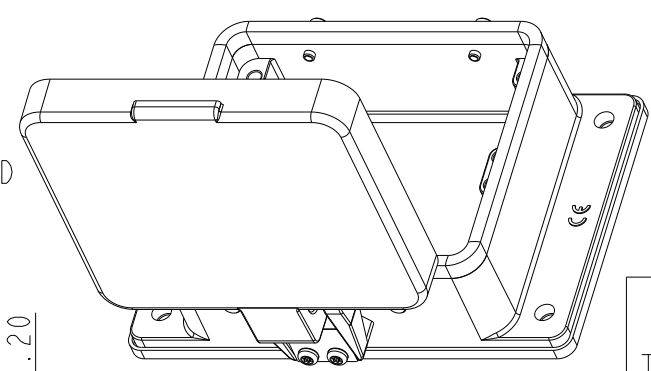
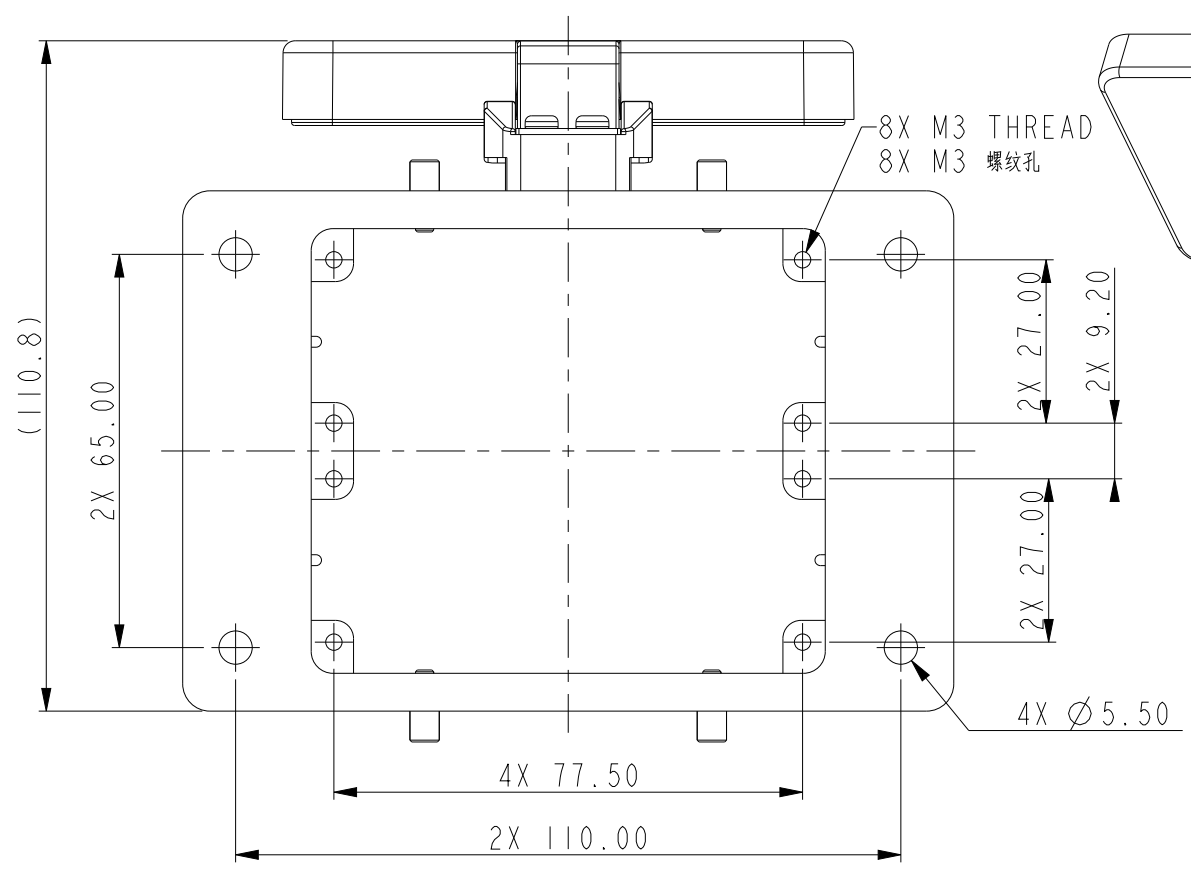
P	LTR	DESCRIPTION	DATE	DWN	APVD
	A	INITIAL RELEASE	02JUN2015	DL	CW
	AI	ECR-17-017115	29NOV2017	CH	CW
	B	ECR-21-109004	16AUG2021	WQR	CW

NOTES:
 1. TECHNICAL CHARACTERISTICS:
 BODY MATERIAL: DIE CAST ALUMINIUM ALLOY
 SURFACE TREATMENT: POWDER COATED, GREY
 DEGREE OF PROTECTION: IP65 (MATED)

注释:
 1. 技术参数:
 主体材料: 铝合金
 表面处理: 灰色粉末喷涂
 防护等级: IP65(配合)



开孔安装示意图
PANNEL CUT OUT



SCALE 1:2

T1430320000-000	H32B-AD-BO	H32B HOUSING, BULKHEAD MOUNTED, 4 EAR, PLASTIC PROTECTION COVER, POWDER COATED, GREY H32B下壳, 开孔安装, 4耳, 带塑料保护盖, 灰色粉末喷涂
PART NUMBER 料号	PART DESCRIPTION 描述	

THIS DRAWING IS A CONTROLLED DOCUMENT.

DIMENSIONS: mm	TOLERANCES UNLESS OTHERWISE SPECIFIED:
	0 PLC ±-
	1 PLC ±-
	2 PLC ±-
	3 PLC ±-
	4 PLC ±-
	ANGLES ±-
MATERIAL	FINISH
-	-
-	-

DWN	02JUN2015
DAVID.LI	
CHK	02JUN2015
CHRIS.WANG	
APVD	02JUN2015
XIANG.XU	
PRODUCT SPEC	108-137013
APPLICATION SPEC	114-137013
WEIGHT	-
Customer Drawing	

TE Connectivity		NAME		RESTRICTED TO
		H32B-AD-BO		
SIZE	CAGE CODE	DRAWING NO		
A3	-	©-T1430320000000		
SCALE		SHEET	OF	REV
4:5		1	1	B